

## Excellent Integrated System Limited

Stocking Distributor

Click to view price, real time Inventory, Delivery & Lifecycle Information:

[FCI](#)  
[98400-101A](#)

For any questions, you can email us directly:  
[sales@integrated-circuit.com](mailto:sales@integrated-circuit.com)

PRODUCT NUMBER  
98400-YXXXLF

RoHS COMPATIBLE, SEE NOTE 6  
PACKAGING TYPE, NOTE 3

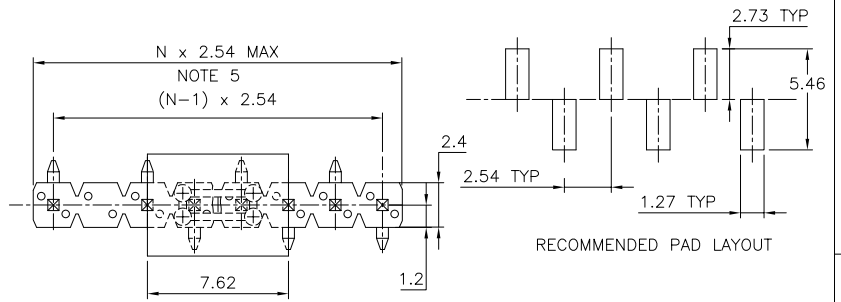
PLATING  
1= 0.76µm GOLD/GXT ON CONTACT  
AREA, 2µm TIN MIN ON TAILS

STYLE	SIZE	MATING	OMIT PIN
01	1x08	5.9	2
02	1x08	5.9	5

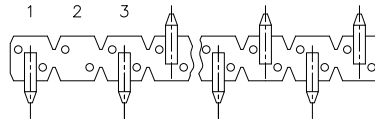
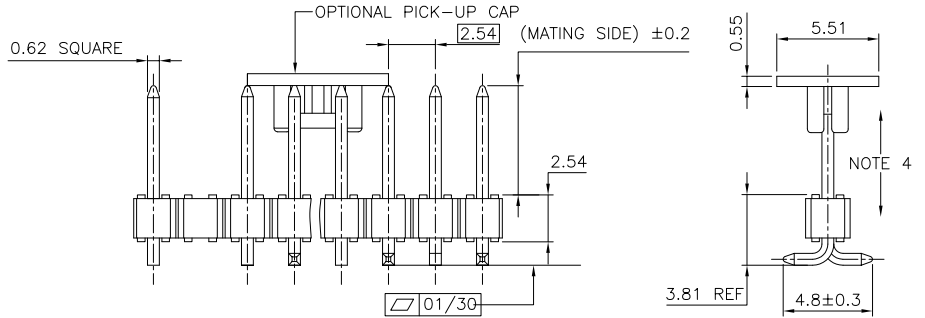
1.27µm NICKEL MIN UNDERLAYER FOR  
ALL PLATING VERSIONS

NOTES:

- 1 - HOUSING MAT'L : HIGH TEMPERATURE THERMOPLASTIC. UL94V-0 COLOR: BLACK
- 2 - PIN MATERIAL : PHOSPHOR BRONZE
- 3 - PACKAGING = POLY BAGS  
A = TAPE & REEL + CAP, AS AVAILABLE
- 4 - 9N MIN RETENTION IN EITHER DIRECTION
- 5 - TO DETERMINE DIMENSIONS :  
N = NUMBER OF POSITIONS  
EXAMPLE : 8 POS N x 2.54 = 20.32mm
6. RoHS COMPATIBLE PRODUCT SPECIFICATIONS
  - a - PLATING:  
- "LF" MEANS THE PRODUCT IS LEAD-FREE,  
2µm MINIMUM MATTE TIN OVER 1.27µm  
MINIMUM NICKEL UNDERPLATE.
  - b - MANUFACTURING PROCESS COMPATIBILITY  
- THE HOUSING WILL WITHSTAND EXPOSURE TO  
260°C PEAK TEMPERATURE FOR 30 SECONDES  
IN A CONVECTION, INFRA-RED OR VAPOR  
PHASE REFLOW OVEN.
  - c - LABELING:  
- MEETS PACKAGING SPECS AS PER GS-14-920
  - d - LEGAL STATEMENT: SEE GS-47-0004



RECOMMENDED PAD LAYOUT



mat'l. code	surface	tolerance	projection	product family
SEE NOTES	ISO 1302	ISO 406 ISO 1101	mm	BSTIK HDR
ltr ecn no dr date	tolerances unless otherwise specified		mm	title
H F-23055 AMA 16.01.15	angles	linear	scale 1:4	HEADER SR, SMT, POLARIZED
C P04-0362 JCO 04.12.10				dwg no 98400 sheet 1 of 1 size A3
D P06-0208 JCO 06.06.22 dr L.MULIN 99.04.28				Type CUSTOMER Drawing
E P08-0148 RTR 08.03.31 eng JMC 99.04.28				
F P10-0207 JCO 10.09.09 chr 99.04.28				
G B-18983 LMU 14.10.03 appd JMC 99.04.28				
sheet revision				
index sheet				

PDS: Rev:H

STATUS:Released Printed: Feb 12, 2016

FCI  
FCIconnect.com  
Copyright FCI