



Distributor of FCI: Excellent Integrated System Limited

Datasheet of D50P91C6PV00 - D-Sub Connector Plug, Male Pins 50 Position Through Hole Press-Fit

Contact us: sales@integrated-circuit.com Website: www.integrated-circuit.com

Excellent Integrated System Limited

Stocking Distributor

Click to view price, real time Inventory, Delivery & Lifecycle Information:

[FCI](#)

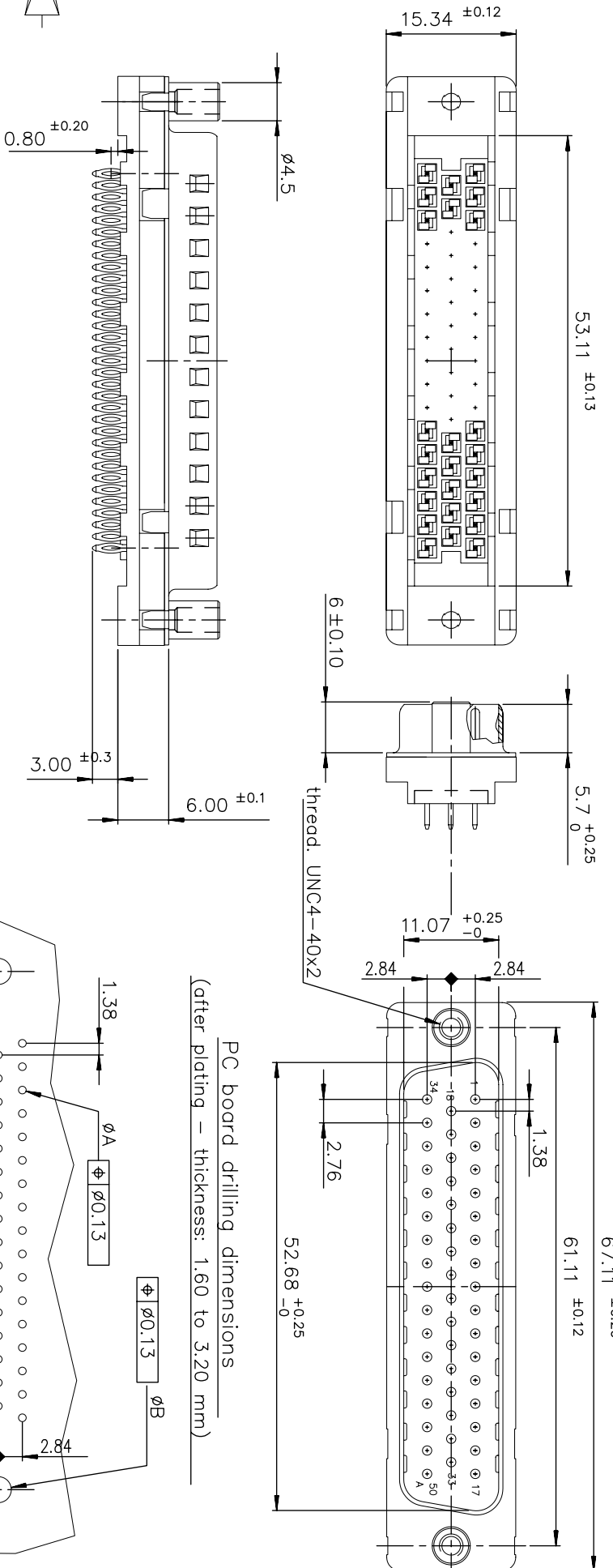
[D50P91C6PV00](#)

For any questions, you can email us directly:

sales@integrated-circuit.com

Copyright FCI

Contact us: Sales@integrated-circuit.com Website: www.integrated-circuit.com



REQUIREMENTS

Technical characteristics:

Shell: steel tin plated	flash gold	PART NUMBER NON LF	PART NUMBER LF
Insulators: self-extinguishing thermoplastic, UL class 94V0	0.76µ gold	D50P91C4PV00	D50P91C4PV00LF
Contacts: phosphor bronze, gold (for thickness see table)		D50P91C6PV00	D50P91C6PV00LF

over 2µ mini nickel on active area and flash to 1.5µ maxi Sn/SnPb over 1µ mini nickel on termination
 Cycles: 200 min for plating 4
 : 500 min for plating 6

Accessories:

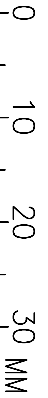
Female screwlock: brass, Ni plated, UNC 4.40 retention against torque 0.70N.m minimum

Electrical characteristics:

- max. current rating: 5A
- Test voltage: 1000V
- Contact voltage: 300V
- Contact resistance: ≤10mΩ
- Shell resistance: ≤5mΩ
- Insulation resistance: ≥25000MΩ

Climatic characteristics:

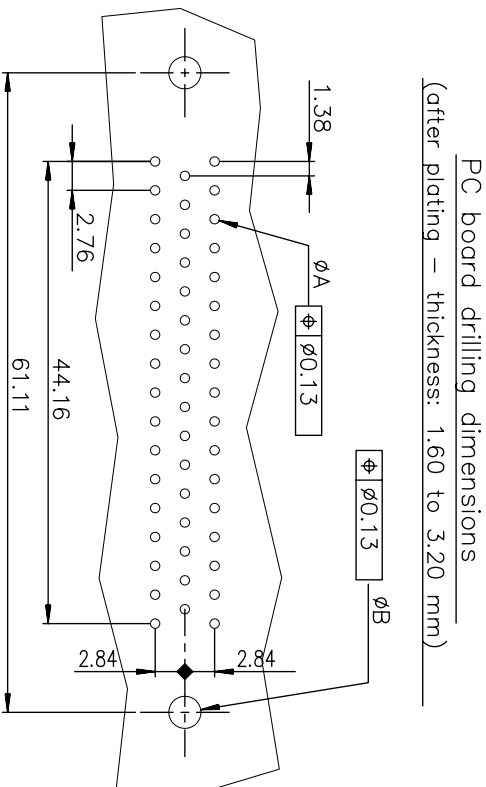
Operating temperature range: -55°C +125°C
 Dimensions: in accordance with MIL-C-24308B and DIN41652



PCB HOLE DEFINITION	
DRILLED HOLE	ØA ØB
COPPER PLATING	25µ mini
TIN-LEAD PLATING	5µ mini
FINISHED HOLE AFTER REFLOW	Ø0.94-1.09 Ø3.02-3.20

REV	ECN NO	DR	DATE
A	100	JOU	1996/08/08
B	LS06-0140	LCO	2006/09/23
C	110-0055	NC	2008-02-19

Part number: SEE TABLE



PC board drilling dimensions
 (after plating - thickness: 1.60 to 3.20 mm)

www.fciconnect.com

Dr	JOURBERT	1996-08-08	ANGULAR	tolerance std	projection	Scale
Eng	PESSON	1996-08-08	LINEAR	ISO 1302	ISO 406 ISO 1101	mm
Chr	IRMAL GEORGE	2010-02-19	0.0X ±0.1	TOLERANCES UNLESS OTHERWISE SPECIFIED		2
Appr	SUDHIR VARMA	2010-02-19	0.0XX ±0.1	Product family	ECN	110-005
			D-SUB	Spec ref		



MALE CONNECTOR DELTA D 50-EUROPE
 straight press fit-female 4-40 screw

C01-8646-0475

CUSTOMER sheet 1 of 1