



**Distributor of FCI: Excellent Integrated System Limited**

Datasheet of DD24W7PA00LF - D-Sub Connector Plug, Male Pins 24 (17 + 7 Power) Position  
Free Hanging (In-Line) Solder Cup

Contact us: [sales@integrated-circuit.com](mailto:sales@integrated-circuit.com) Website: [www.integrated-circuit.com](http://www.integrated-circuit.com)

---

## **Excellent Integrated System Limited**

Stocking Distributor

Click to view price, real time Inventory, Delivery & Lifecycle Information:

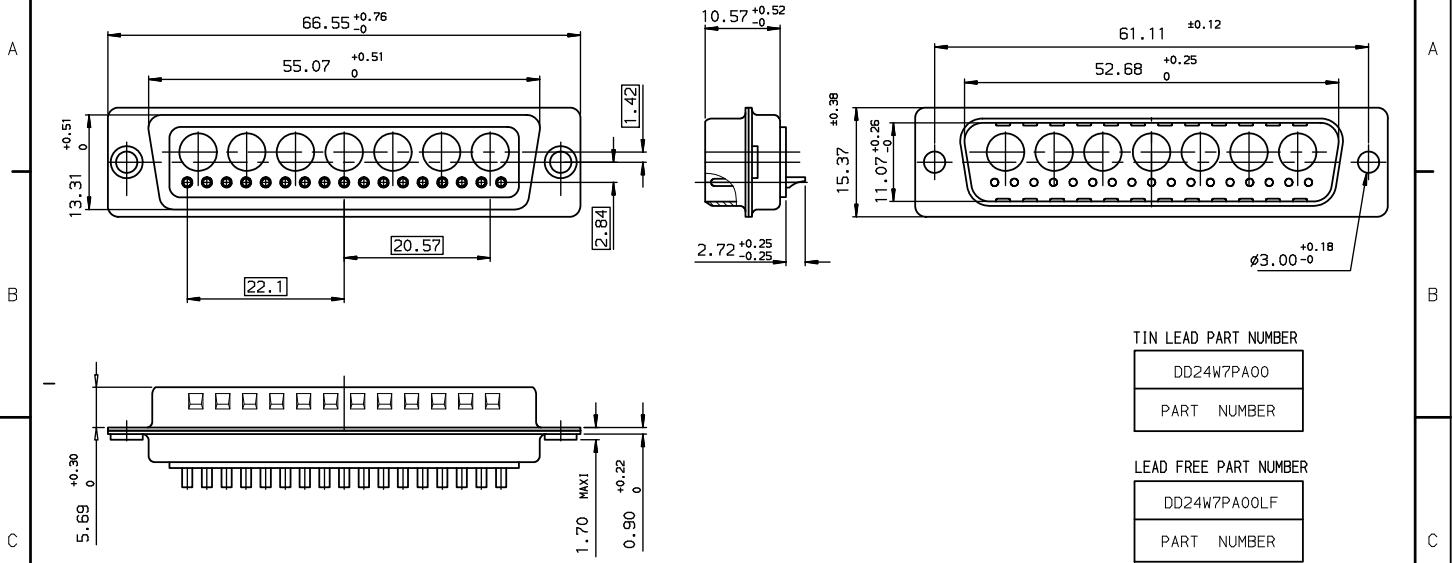
[FCI](#)

[DD24W7PA00LF](#)

For any questions, you can email us directly:

[sales@integrated-circuit.com](mailto:sales@integrated-circuit.com)

Contact us: [sales@integrated-circuit.com](mailto:sales@integrated-circuit.com) Website: [www.integrated-circuit.com](http://www.integrated-circuit.com)



TIN LEAD PART NUMBER

DD24W7PA00  
PART NUMBER

LEAD FREE PART NUMBER

DD24W7PA00LF  
PART NUMBER

GENERAL CHARACTERISTICS AND ROHS INFORMATIONS:  
SEE DRAWING C01-8639-0003

Copyright FCI.

rev	ecr no	dr	date
B	-	DEB	2003/10/21
C	LS05-005	MPE	2005/03/16
D	LS06-0095	LGO	2006/07/20
-	-	-	-
-	-	-	-
-	-	-	-
-	-	-	-

www.fciconnect.com		surface	tolerance std	projection	mm
		ISO 1302	ISO 406 ISO 1101		
TOLERANCES UNLESS OTHERWISE SPECIFIED					
Dr	JARRY	1997/02/07	ANGULAR	0.x	±0.1
Eng	PESSON	1997/02/07	LINEAR	0.xx	±0.1
Chr	LEGARE	1997/02/07	0.x x	±2°	
Appr	LEGARE	1997/02/07	Product Family D-SUB Spec ref -		
FCI		PIN CONNECTOR WITH SOLDER CONTACT		size	A3
title		CONTACT		Scale	2
catalog no		-		ECN	LS06-0095
				Rev.	D
				Customer	C01-8639-1501
				sheet	1 of 1

REV F - 2006-04-17