

Excellent Integrated System Limited

Stocking Distributor

Click to view price, real time Inventory, Delivery & Lifecycle Information:

[FCI](#)
[72390-0021](#)

For any questions, you can email us directly:

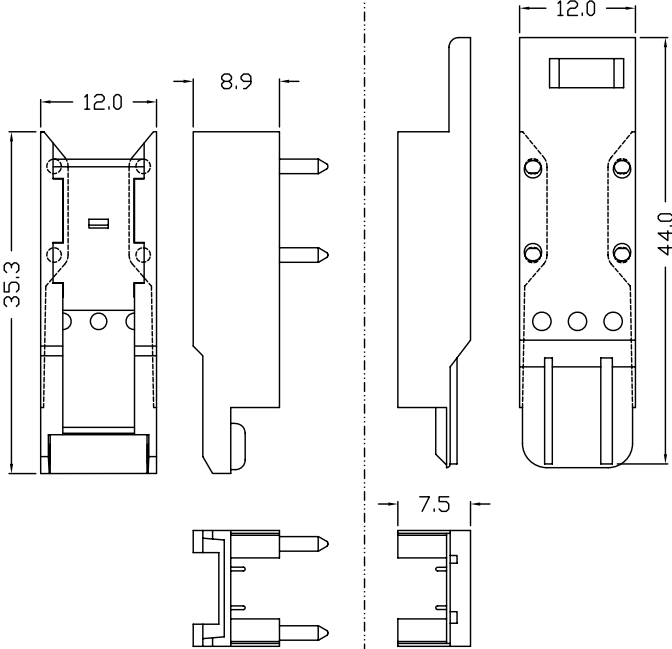
sales@integrated-circuit.com



FCIconnect.com

PRODUCT NO.
72390-0021 SEE NOTE 5

PRODUCT NO.
72390-0011 SEE NOTE 5



NOTES:

1. SEE APPLICATION SPECIFICATION, GS-20-003, FOR INSTRUCTION ON WIRE INSERTION AND ASSEMBLY OF COMPONENTS FOR CONNECTOR USING THESE COVERS.
2. MATERIAL:
GLASS FILLED 612 POLYAMIDE.
3. THE PRODUCTS WHERE THE PART NUMBER ENDS IN LF MEET THE EUROPEAN UNION DIRECTIVES AND OTHER COUNTRY REGULATIONS AS DESCRIBED IN GS-22-008.
4. THESE PRODUCTS LISTED ON THIS DRAWING WILL NOT WITHSTAND WAVE SOLDER OR REFLOW OPERATIONS.
5. FOR LEAD FREE PART NUMBERS, ADD AN 'LF' SUFFIX. EXAMPLE 72390-0011LF.

mat'l code		SEE NOTES		surface		tolerance		projection		product family	
ltr	ec'n no	dr	date	ASME Y14.5	ASME Y14.5	ASME Y14.5	ASME Y14.5	MM	MM	METRAL CABLE	
A	V71561	JRV	11/6/97	angles	Xx10					title	
B	V12894	LSS	11/16/01		Xx05					5 X 6 COVERS	
C	V05-0394	VS	08/08/05	0° ±2'	Xxx0.02			scale	1:1	5 - ROW METRAL	
D	V06-0613	JRV	2006-06-22	dr	J.R.VOLSTROF	11/06/97				UNSHIELDED CABLE CONNECTOR	
				engr	J.R.VOLSTROF	11/06/97				dwg no	sheet 1 of 1 size
				chr	J.R.VOLSTROF	11/06/97				72390	A4
				appd	J.R.VOLSTROF	11/06/97				type	CUSTOMER Drawing
sheet	revision	D									
index	sheet	1									

form: A4mmX4c

PDM: Rev:D

STATUS: Released

Printed: Jul 28, 2010