



**Distributor of FCI: Excellent Integrated System Limited**

Datasheet of DCM21WA4P500N - D-Sub Connector Plug, Male Pins 21 (17 + 4 Power)  
Position Through Hole, Right Angle Solder

Contact us: [sales@integrated-circuit.com](mailto:sales@integrated-circuit.com) Website: [www.integrated-circuit.com](http://www.integrated-circuit.com)

---

## **Excellent Integrated System Limited**

Stocking Distributor

Click to view price, real time Inventory, Delivery & Lifecycle Information:

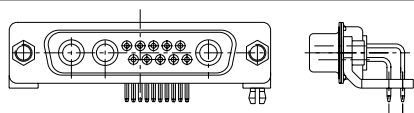
[FCI](#)

[DCM21WA4P500N](#)

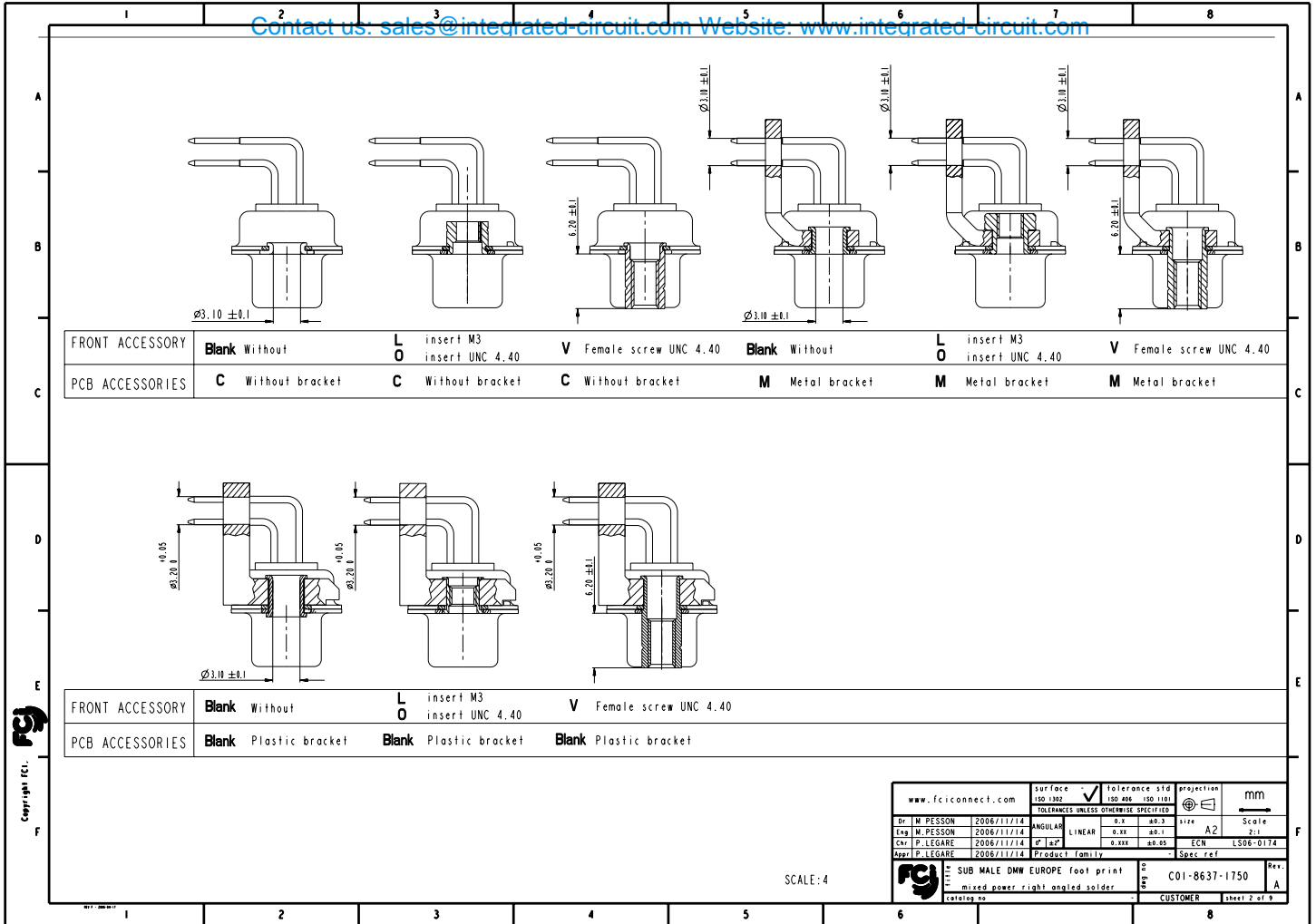
For any questions, you can email us directly:

[sales@integrated-circuit.com](mailto:sales@integrated-circuit.com)

Contact us: [sales@integrated-circuit.com](mailto:sales@integrated-circuit.com) Website: [www.integrated-circuit.com](http://www.integrated-circuit.com)

<p><b>REFERENCE SPECIFICATIONS</b> -NFC 93425 (in compliance with HE 507)</p> <p><b>PHYSICAL CHARACTERISTICS</b> -INSULATOR MATERIAL: THERMOPLASTIC UL94V0 -CONTACT MATERIAL: BRASS GOLD OVER NICKEL -ACCESSORIES: STEEL FOR BRACKETS Cadmium plated, yellow passivation -SHELLS: STEEL Cadmium plated, yellow passivation</p> <p><b>ELECTRICAL CHARACTERISTICS</b> -NOMINAL CURRENT: 7.5A (SIGNAL CONTACT)  -CONTACT RESISTANCE: &lt;&lt;7.3 m Ohms(SIGNAL) -CONTACT/CONTACT : &gt;&gt;1000 V -CONTACT/GROUND : &gt;&gt;1200 V -INSULATION RESISTANCE: &gt;&gt;5000 MOhms</p> <p><b>ENVIRONMENTAL CHARACTERISTICS</b> - CLIMATIC CATEGORY: 55/125/21 TEMPERATURE RANGE -55°C TO +125°C DAMP HEAT STEADY STATE 56 DAYS SALT SPRAY 48 HOURS</p>	<p style="text-align: center; font-size: 2em; font-weight: bold;">DBML13W3P500MN</p> <p>Series ←</p> <p>Shell size: <b>E A B C D</b> (see sheet 3)</p> <p><b>M</b> :Characteristics for the DM series</p> <p>Front accessory definition (see sheet 2)</p> <p><b>blank</b> :without accessory <b>L</b> :threaded insert M3 <b>O</b> :threaded insert UNC 4-40 <b>V</b> :female screw UNC 4-40</p> <p>Layout of contacts (see sheet 3)</p> <p>Contacts <b>P</b> :Pin</p> <p>Termination type <b>5</b> Right angle/Europe standard</p> <p>Plating <b>00</b> Right angle 500 matings/unmatings <b>43</b> Right angle 500 matings/unmatings for harsh environment</p> <p>PCB accessories definition(see sheet 2) <b>blank</b> :Plastic brackets <b>C</b> :Without brackets <b>M</b> :Metal brackets  <b>N</b> :Obligatory indication for HE 507</p>	 <p style="text-align: center;">13W3 FOR EXAMPLE</p> <table border="1" style="width:100%; border-collapse: collapse;"> <tr> <td colspan="2">www.fciconnect.com</td> <td>surface</td> <td>tolerance std</td> <td>projection</td> <td>mm</td> </tr> <tr> <td colspan="2"></td> <td>150 1302</td> <td>150 000 150 1100</td> <td></td> <td></td> </tr> <tr> <td colspan="6" style="text-align: center;">TOLERANCES UNLESS OTHERWISE SPECIFIED</td> </tr> <tr> <td>Dr</td> <td>M. PESSION</td> <td>2006/11/14</td> <td>ANGULAR</td> <td>0.X</td> <td>00.3</td> </tr> <tr> <td>Eng</td> <td>M. PESSION</td> <td>2006/11/14</td> <td>LINEAR</td> <td>0.XX</td> <td>00.1</td> </tr> <tr> <td>Chk</td> <td>P. LEGARE</td> <td>2006/11/14</td> <td>0.2P</td> <td>0.XXX</td> <td>00.05</td> </tr> <tr> <td>Appr</td> <td>P. LEGARE</td> <td>2006/11/14</td> <td>Product family</td> <td colspan="2">Spec. ref.</td> </tr> <tr> <td colspan="2" style="text-align: center;"></td> <td colspan="2">SUB MALE DMW EUROPE foot print</td> <td>0</td> <td>0</td> </tr> <tr> <td colspan="2"></td> <td colspan="2">mixed power right angled solder</td> <td>0</td> <td>0</td> </tr> <tr> <td colspan="2">catalog no</td> <td colspan="2">CUSTOMER</td> <td>C01-8637-1750</td> <td>Rev. A</td> </tr> <tr> <td colspan="2"></td> <td colspan="2"></td> <td>sheet 1 of 3</td> <td></td> </tr> </table>	www.fciconnect.com		surface	tolerance std	projection	mm			150 1302	150 000 150 1100			TOLERANCES UNLESS OTHERWISE SPECIFIED						Dr	M. PESSION	2006/11/14	ANGULAR	0.X	00.3	Eng	M. PESSION	2006/11/14	LINEAR	0.XX	00.1	Chk	P. LEGARE	2006/11/14	0.2P	0.XXX	00.05	Appr	P. LEGARE	2006/11/14	Product family	Spec. ref.				SUB MALE DMW EUROPE foot print		0	0			mixed power right angled solder		0	0	catalog no		CUSTOMER		C01-8637-1750	Rev. A					sheet 1 of 3	
www.fciconnect.com		surface	tolerance std	projection	mm																																																															
		150 1302	150 000 150 1100																																																																	
TOLERANCES UNLESS OTHERWISE SPECIFIED																																																																				
Dr	M. PESSION	2006/11/14	ANGULAR	0.X	00.3																																																															
Eng	M. PESSION	2006/11/14	LINEAR	0.XX	00.1																																																															
Chk	P. LEGARE	2006/11/14	0.2P	0.XXX	00.05																																																															
Appr	P. LEGARE	2006/11/14	Product family	Spec. ref.																																																																
		SUB MALE DMW EUROPE foot print		0	0																																																															
		mixed power right angled solder		0	0																																																															
catalog no		CUSTOMER		C01-8637-1750	Rev. A																																																															
				sheet 1 of 3																																																																

Contact us: [sales@integrated-circuit.com](mailto:sales@integrated-circuit.com) Website: [www.integrated-circuit.com](http://www.integrated-circuit.com)



SCALE: 4

www.fciconnect.com		SURFACE 150 1302		TOLERANCE STD 150 400 150 1100		projection		mm	
TOLERANCES UNLESS OTHERWISE SPECIFIED		ANGULAR		LINEAR		size		Scale	
Dr. M. PESSION	2006/11/14	0.2	0.3	0.2x	0.3	A2	2:1		
Eng. M. PESSION	2006/11/14	0.2x	0.3	0.2x	0.3	ECN	LS06-0174		
Chf. P. LEGARE	2006/11/14	0.2x	0.3	0.2x	0.3	Spec. ref.			
Head P. LEGARE	2006/11/14	Product family							
FCI SUB MALE DW EUROPE foot print		mixed power right angled solder		C01-8637-1750		Rev. A		sheet 2 of 3	
catalogue no.		CUSTOMER							

Contact us: sales@integrated-circuit.com Website: www.integrated-circuit.com

shell size LAYOUTS  
 1 xWx

PART NUMBER	MATINGS/ UNMATINGS	FRONT ACCESSORY	PCB ACCESSORIES
D*MxWxP500CN	500	without	without
D*MLxWxP500CN	500	insert M3	without
D*MOxWxP500CN	500	insert UNC 4.40	without
D*MVxWxP500CN	500	female screw UNC 4.40	without
D*MxWxP500MN	500	without	metal bracket
D*MLxWxP500MN	500	insert M3	metal bracket
D*MOxWxP500MN	500	insert UNC 4.40	metal bracket
D*MVxWxP500MN	500	female screw UNC 4.40	metal bracket
D*MxWxP500N	500	without	plastic bracket
D*MLxWxP500N	500	insert M3	plastic bracket
D*MOxWxP500N	500	insert UNC 4.40	plastic bracket
D*MVxWxP500N	500	female screw UNC 4.40	plastic bracket

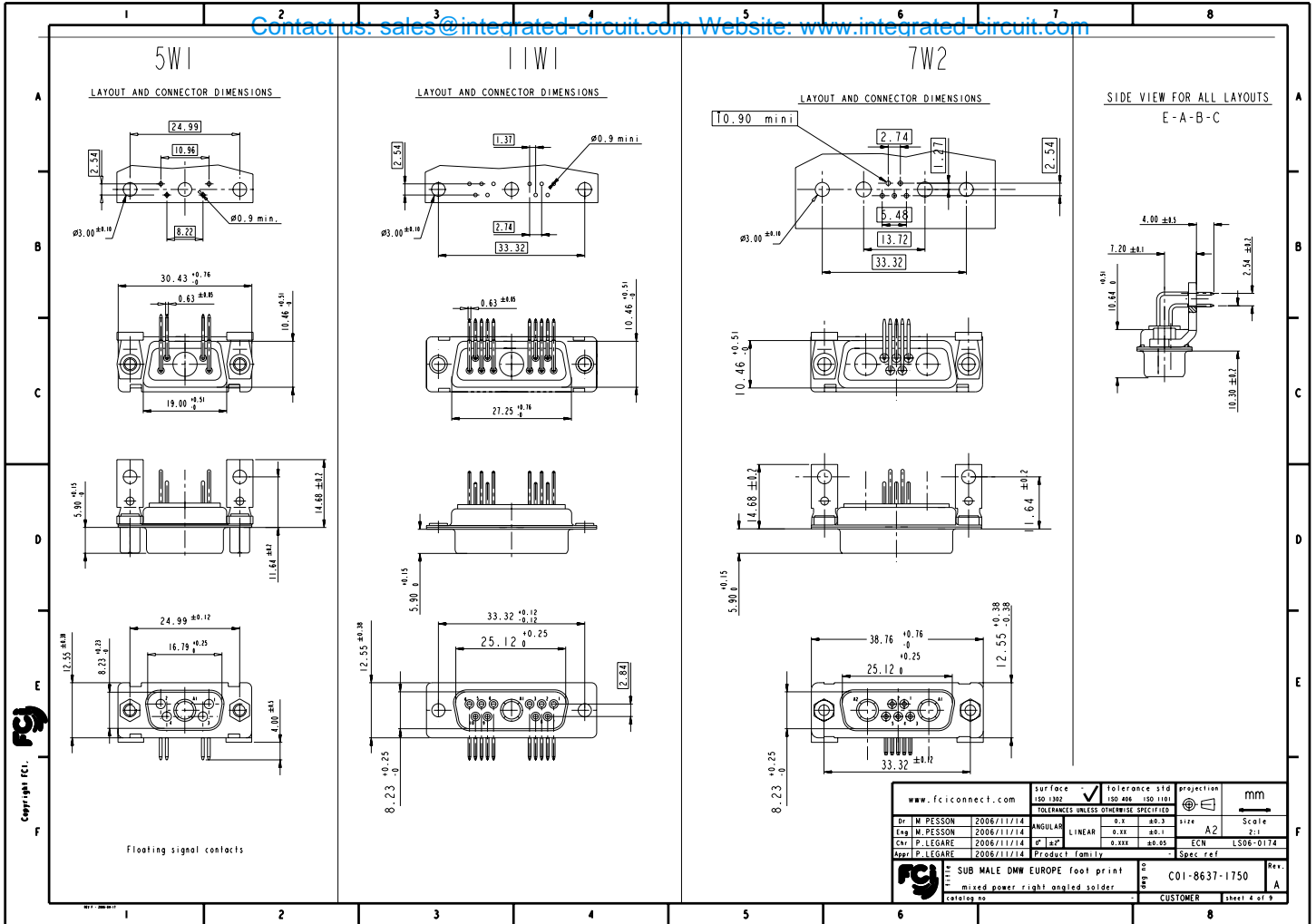
PART NUMBER	MATINGS/ UNMATINGS	FRONT ACCESSORY	PCB ACCESSORIES
D*MxWxP543CN	500	without	without
D*MLxWxP543CN	500	insert M3	without
D*MOxWxP543CN	500	insert UNC 4.40	without
D*MVxWxP543CN	500	female screw UNC 4.40	without
D*MxWxP543MN	500	without	metal bracket
D*MLxWxP543MN	500	insert M3	metal bracket
D*MOxWxP543MN	500	insert UNC 4.40	metal bracket
D*MVxWxP543MN	500	female screw UNC 4.40	metal bracket
D*MxWxP543N	500	without	plastic bracket
D*MLxWxP543N	500	insert M3	plastic bracket
D*MOxWxP543N	500	insert UNC 4.40	plastic bracket
D*MVxWxP543N	500	female screw UNC 4.40	plastic bracket

E 5W1  
 A 11W1  
 A 7W2  
 B 21W1  
 B 17W2  
 B 13W3  
 B 9W4  
 C 25W3  
 C 21WA4  
 C 27W2  
 D 47W1  
 D 24W7  
 D 36W4

Copyright FCI

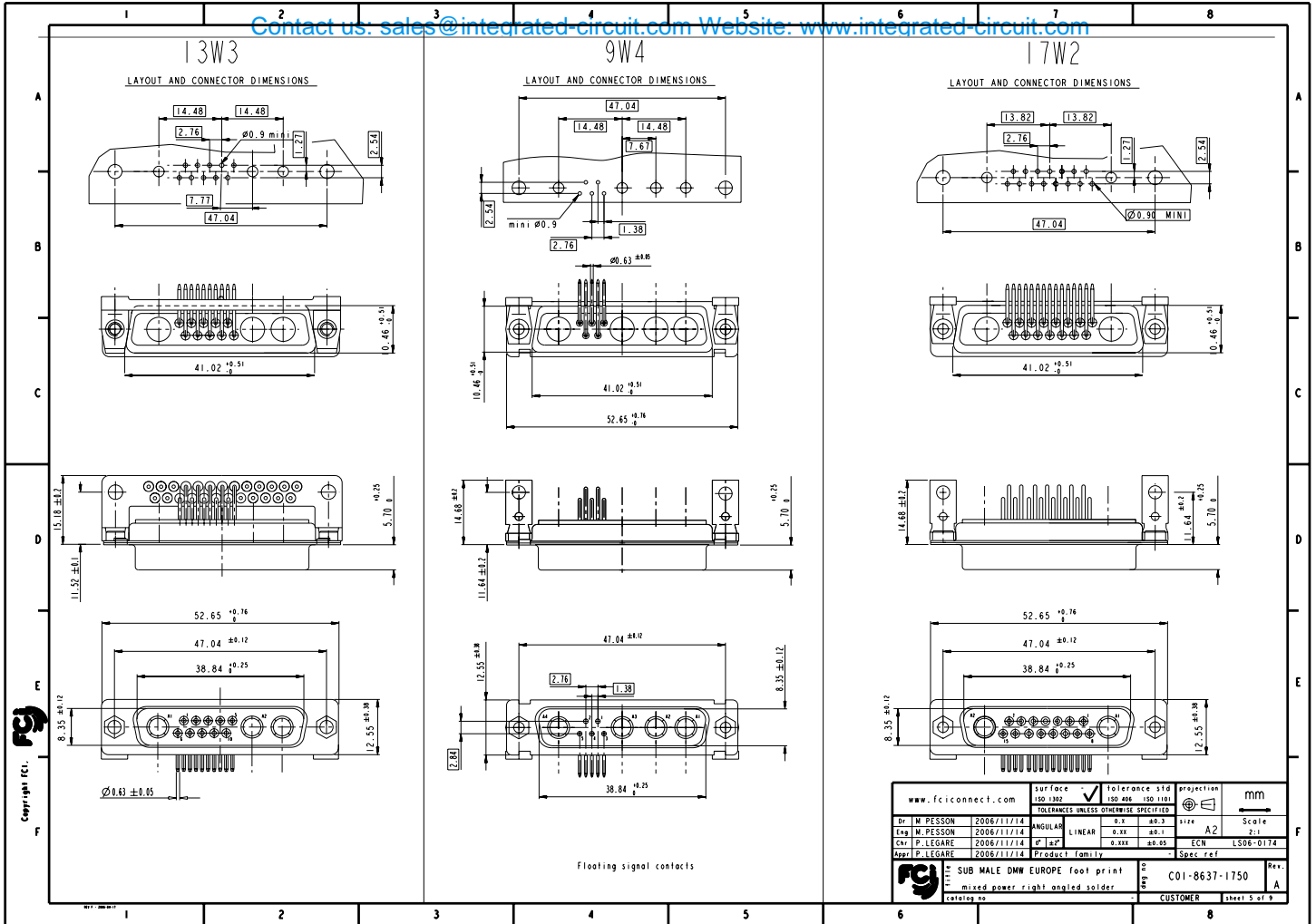
www.fciconnect.com		surface	tolerance std	projection	mm
		150 1902	150 400 150 1100		
TOLERANCES UNLESS OTHERWISE SPECIFIED					
Dr	M. PESSION	2006/11/14	ANGULAR	0.2	0.3
Eng	M. PESSION	2006/11/14	LINEAR	0.2x	0.1
Chk	P. LEGARE	2006/11/14	0.2x	0.05	
Appr	P. LEGARE	2006/11/14	Product family		Spec. ref.
FCI SUB MALE DMW EUROPE foot print			0.2	C01-8637-1750	Rev. A
mixed power right angled solder			0.2	CUSTOMER	sheet 3 of 3

Contact us: [sales@integrated-circuit.com](mailto:sales@integrated-circuit.com) Website: [www.integrated-circuit.com](http://www.integrated-circuit.com)

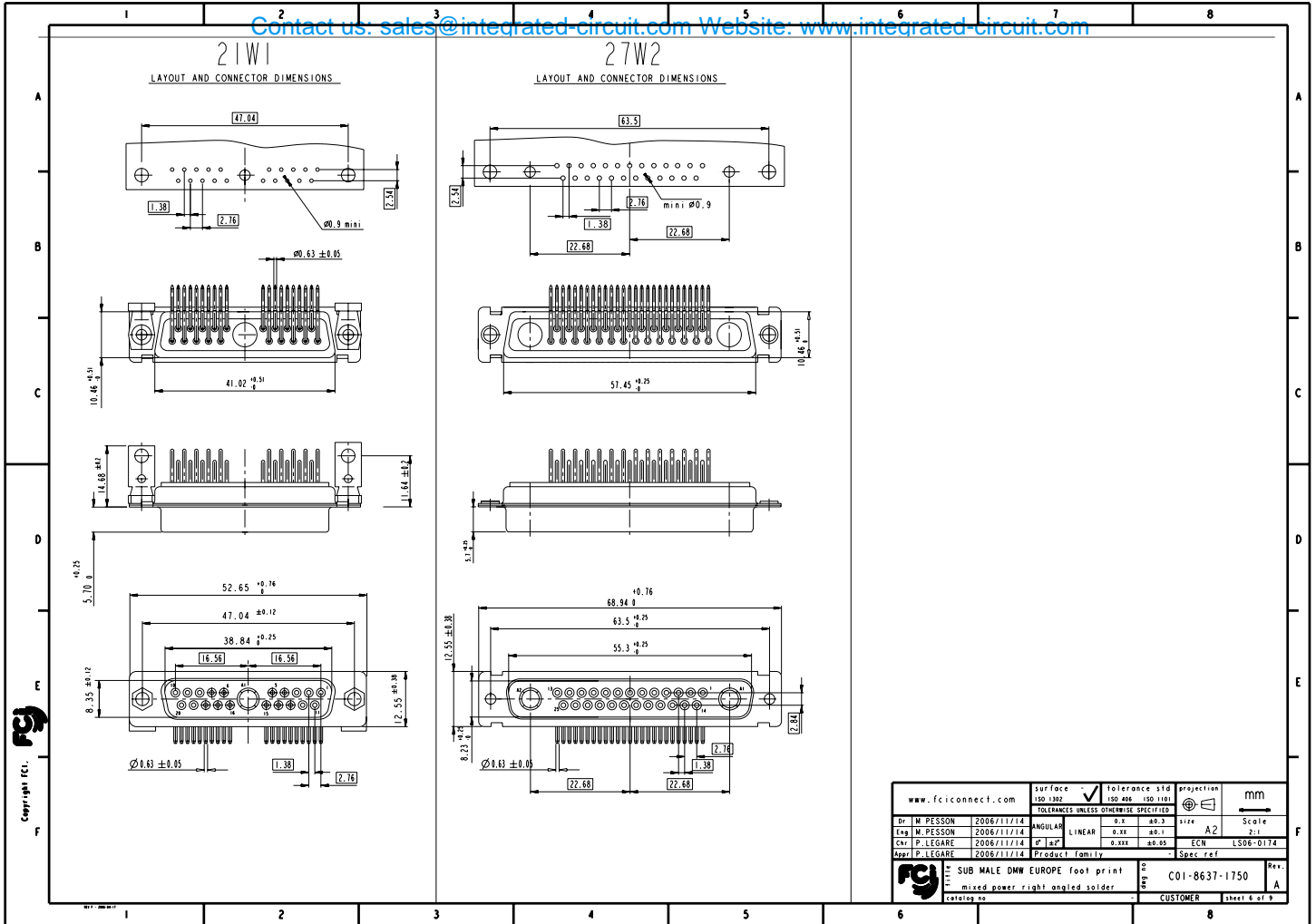


www.fciconnect.com		Surface	150 1802	150 400	150 1100	Tolerance std	150 400	150 1100	projection	mm
Dr. M. PESSION 2006/11/14		ANGULAR	0.2	0.3	0.4	0.2	0.3	0.4	A2	Scale
Eng. M. PESSION 2006/11/14		LINEAR	0.2x	0.3x	0.4x	0.2	0.3	0.4	2:1	
Cdr. P. LEGARE 2006/11/14		Product family	E2P		ECN	LSD6-0174		Spec. ref.		
Rep. P. LEGARE 2006/11/14		SUB MALE DW EUROPE foot print mixed power right angled solder								
drawing no.		C01-8637-1750		CUSTOMER		sheet 4 of 9		Rev. A		

Contact us: sales@integrated-circuit.com Website: www.integrated-circuit.com

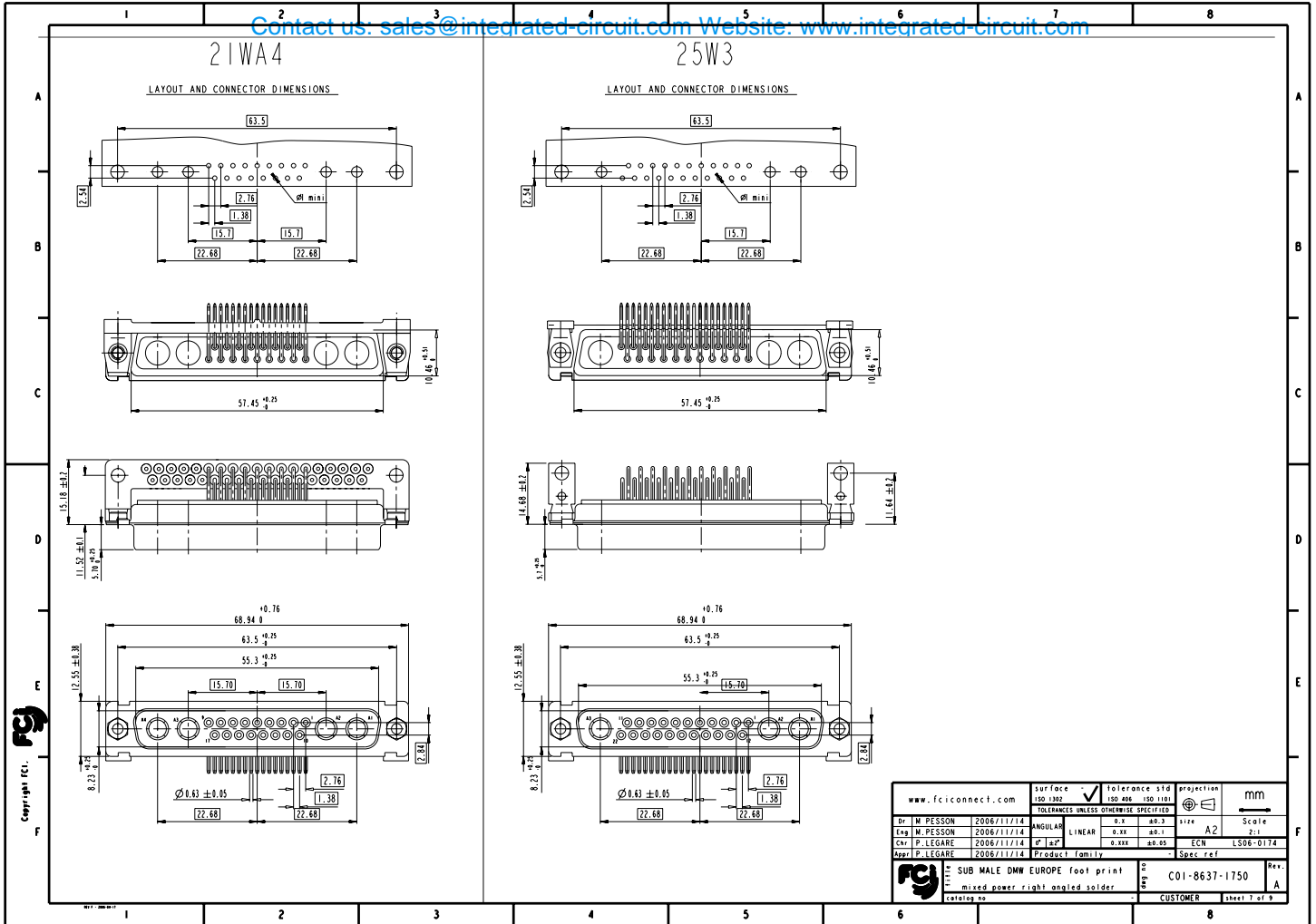


Contact us: sales@integrated-circuit.com Website: www.integrated-circuit.com



www.fciconnect.com		surface	tolerance std	projection	mm
		150 1902	150 400 150 1100	mm	mm
		TOLERANCES UNLESS OTHERWISE SPECIFIED			
Dr	M. PESSION	2006/11/14	ANGULAR	0.X	00.3
Eng	M. PESSION	2006/11/14	LINEAR	0.XX	00.1
Chk	P. LEGARE	2006/11/14	Ø	0.XXX	00.05
Appr	P. LEGARE	2006/11/14	Product family	Spec. ref.	
FCI SUB MALE DMW EUROPE foot print			C01-8637-1750		Rev.
mixed power right angled solder			CUSTOMER		A
catalogue no			sheet 6 of 9		

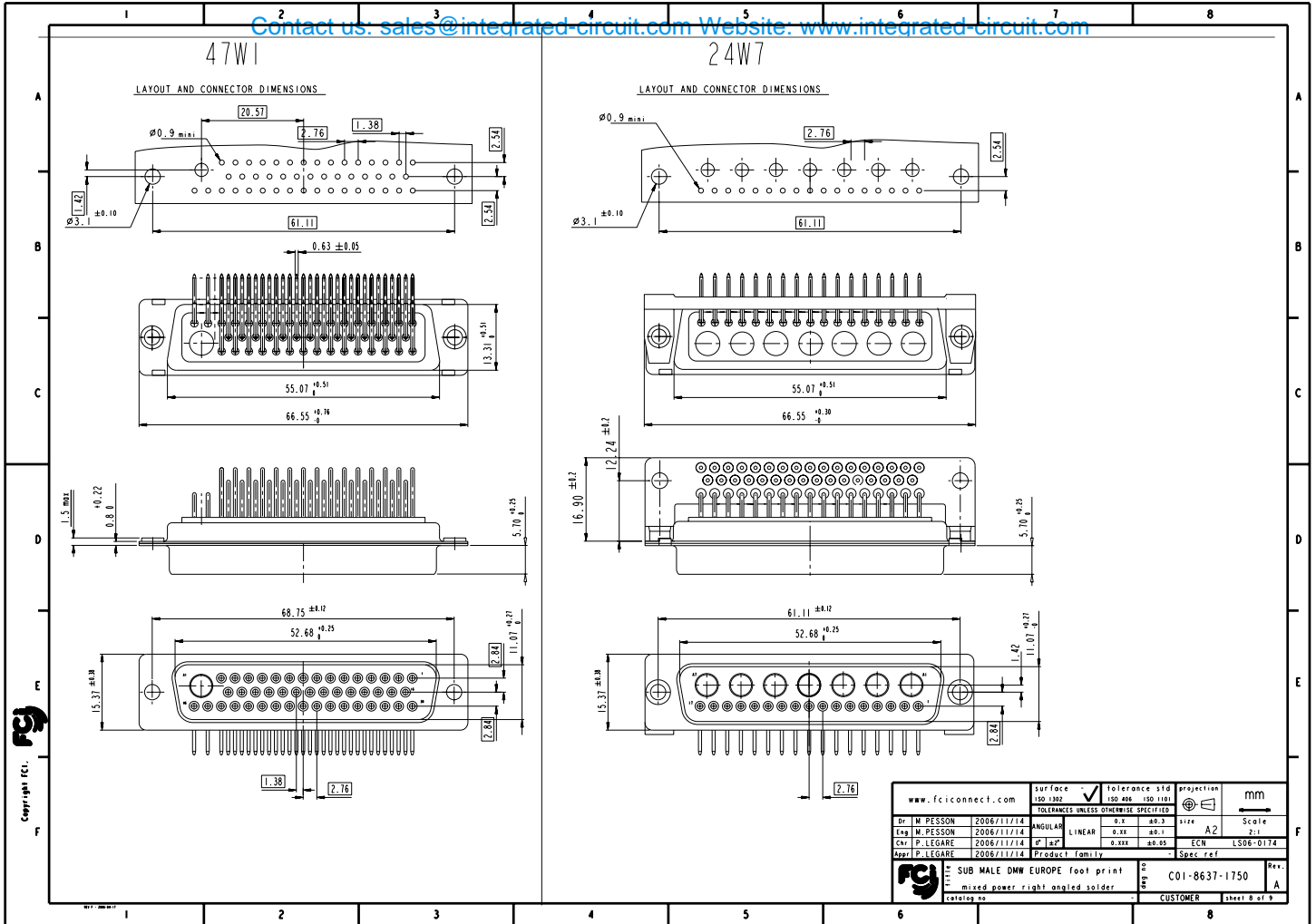
Contact us: [sales@integrated-circuit.com](mailto:sales@integrated-circuit.com) Website: [www.integrated-circuit.com](http://www.integrated-circuit.com)



www.fciconnect.com		SURFACE TOLERANCE STD 150 1902 150 400 150 1100 TOLERANCES UNLESS OTHERWISE SPECIFIED		PROJECTION		mm	
Dr. M. PESSON	2006/11/14	ANGULAR	0.2	0.3	size	Scale	
Eng. M. PESSON	2006/11/14	LINEAR	0.2x	0.1	A2	2:1	
Chf. P. LEGARE	2006/11/14	0.2x	0.2x	0.05	ECH	LS06-0174	
Rep. P. LEGARE	2006/11/14	Product family	-		Spec. ref.		
FCI SUB MALE DMW EUROPE foot print mixed power right angled solder						C01-8637-1750	Rev. A
drawing no.						CUSTOMER	Sheet 1 of 3



Contact us: [sales@integrated-circuit.com](mailto:sales@integrated-circuit.com) Website: [www.integrated-circuit.com](http://www.integrated-circuit.com)



Contact us: [sales@integrated-circuit.com](mailto:sales@integrated-circuit.com) Website: [www.integrated-circuit.com](http://www.integrated-circuit.com)

