

Excellent Integrated System Limited

Stocking Distributor

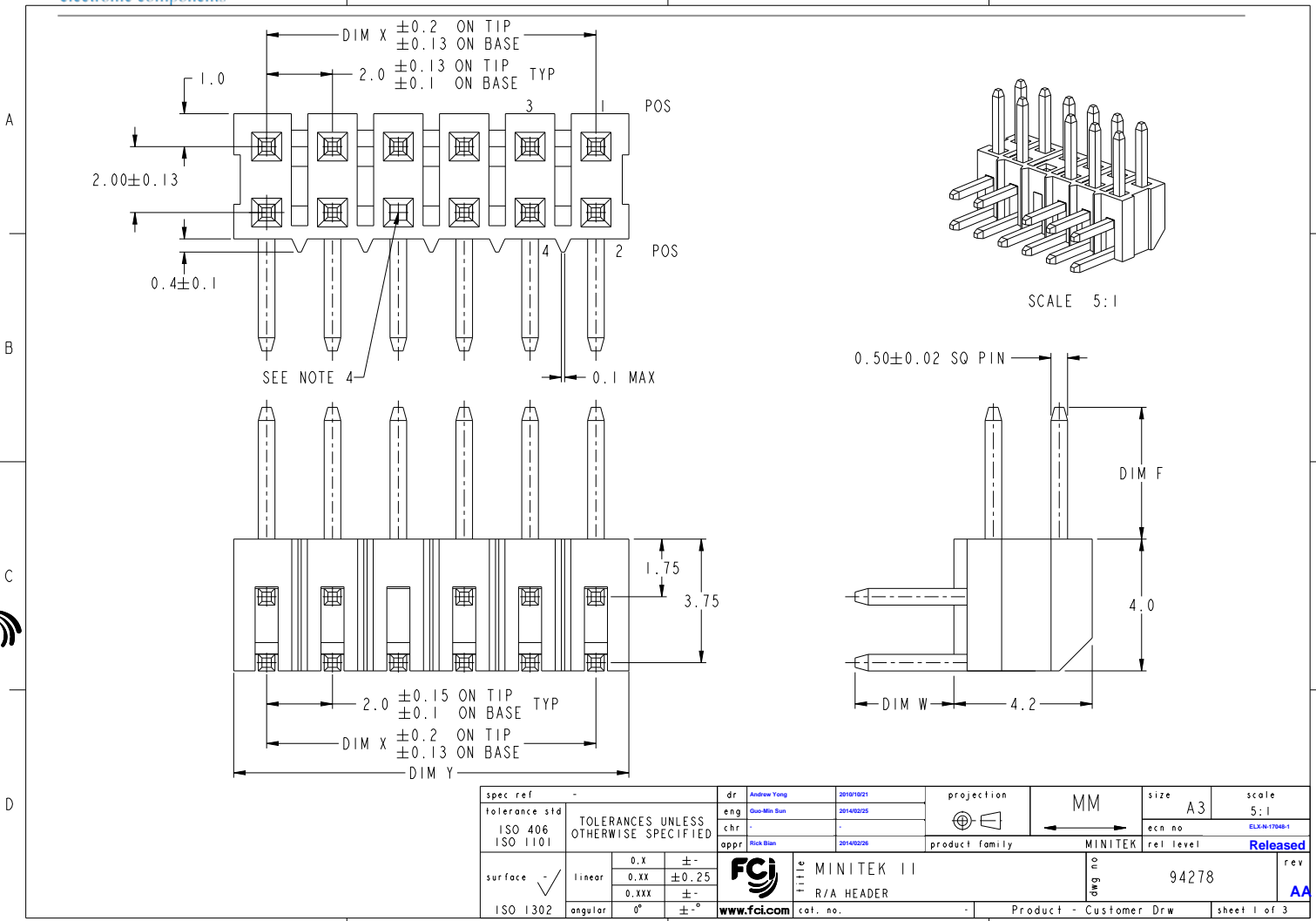
Click to view price, real time Inventory, Delivery & Lifecycle Information:

[FCI](#)

[94278-014LF](#)

For any questions, you can email us directly:

sales@integrated-circuit.com



Copyright FCI

spec ref	-	dr	Andrew Yang	20121021	projection	MM	size	A3	scale	5:1							
tolerance std	ISO 406 ISO 1101	eng	Guo-Min Sun	20140225			ecn no	ELX-N-17048-1	rel level	Released							
TOLERANCES UNLESS OTHERWISE SPECIFIED		chr	-	20140226							product family	MINITEK					
surface	ISO 1302	appr	Rick Bian	20140226			cat. no.	94278	rev	AA							
	linear	<table border="1"> <tr><td>0.X</td><td>±</td></tr> <tr><td>0.XX</td><td>±0.25</td></tr> <tr><td>0.XXX</td><td>±</td></tr> </table>		0.X	±	0.XX	±0.25	0.XXX	±	<table border="1"> <tr><td>0°</td><td>±</td></tr> </table>		0°	±	www.fci.com		Product - Customer Drw	sheet 1 of 3
0.X	±																
0.XX	±0.25																
0.XXX	±																
0°	±																
	angular	0° ±		3		PDS: Rev :AA	STATUS: Released	Printed: Feb 26, 2014									

PRODUCT NO	PRODUCT NO NOTES 5,6,7 & 8	POS	POL. POS	DIM X	DIM Y	DIM F	DIM W	PLATING
94278-001	94278-001LF	2X10	8	18	20	4.0	1.2 ±0.13	0.38µm PdNi W Au FLASH OVER Ni
-002	002LF	2X4	4	6	8	4.0	1.2 ±0.13	0.38µm PdNi W Au FLASH OVER Ni
-003	003LF	2X7	4	12	14	4.0	1.2 ±0.13	0.38µm PdNi W Au FLASH OVER Ni
-004	004LF	2X10	8	18	20	4.0	3.0 ±0.4	0.38µm PdNi W Au FLASH OVER Ni
-005	005LF	2X6	8	10	12	4.0	3.0 ±0.4	0.76µm Au OVER Ni
-006	006LF	2X3	4	4	6	4.0	3.0 ±0.4	0.38µm PdNi W Au FLASH OVER Ni
-007	007LF	2X4	4	6	8	4.0	3.0 ±0.4	0.38µm PdNi W Au FLASH OVER Ni
-008	008LF	2X13	15	24	26	4.0	3.0 ±0.4	0.38µm PdNi W Au FLASH OVER Ni
-009	009LF	2X6	10	10	12	4.0	1.2 ±0.13	0.38µm PdNi W Au FLASH OVER Ni
-010	010LF	2X25	-	48	50	3.0	3.0 ±0.25	0.2µm Au OVER Ni
-011	011LF	2X22	-	42	44	7.0	3.0 ±0.25	0.2µm Au OVER Ni
-012	012LF	2X20	-	38	40	4.0	1.4 ±0.13	0.38µm PdNi W Au FLASH OVER Ni
-013	013LF	2X4	-	6	8	8.0	3.0 ±0.25	0.76µm Au OVER Ni
-014	014LF	2X22	25	42	44	4.0	3.0 ±0.25	0.2µm Au OVER Ni
-015	015LF	2X10	-	18	20	4.0	4.3 ±0.25	0.38µm PdNi W Au FLASH OVER Ni
-016	016LF	2X15	-	28	30	8.0	3.0 ±0.25	0.2µm Au OVER Ni
-017	017LF	2X25	23,50	48	50	4.0	2.5 ±0.25	0.38µm PdNi W Au FLASH OVER Ni
-018	018LF	2X3	-	4	6	4.0	1.9 ±0.13	0.38µm PdNi W Au FLASH OVER Ni
-019	019LF	2X23	1,2,45,46	44	46	4.0	1.2 ±0.13	0.2µm Au OVER Ni
-020	020LF	2X23	1,2,7,8,9,10,14,17,18,19,20,21,22,26,29,30,31,32,33,34,40,45,46	44	46	4.0	1.2 ±0.13	0.2µm Au OVER Ni
-021	021LF	2X25	-	48	50	2.2	2.2 ±0.13	0.2µm Au OVER Ni (CONTACT) 2.54-5.08µm MATTE TIN (SOLDER TAIL) OVER Ni
-022	022LF	2X4	-	6	8	9.5	3.0 ±0.25	0.76µm GXT ON CONTACT AREA (DIM F)
-023	023LF	2X25	-	48	50	9.5	3.0 ±0.25	0.76µm Au OVER Ni
-024	024LF	2X4	-	6	8	3.0	3.0 ±0.25	0.76µm Au OVER Ni
-025	025LF	2X13	-	24	26	3.0	3.0 ±0.25	0.76µm Au OVER Ni
-026	026LF	2X25	-	48	50	2.4	2.2 ±0.13	2.54-5.08µm MATTE TIN (CONTACT & SOLDER TAIL) OVER Ni



Copyright FCI.

spec ref	-	dr	Andrew Yang	20121021	projection	MM	size	A3	scale	5:1
tolerance std	ISO 406 ISO 1101	eng	Guo-Min Sun	20140225			ecn no	ELX-N-17048-1	rel level	Released
TOLERANCES UNLESS OTHERWISE SPECIFIED		chr	-	-			product family	MINITEK	rev	AA
surface	linear	0.X	±		MINITEK II R/A HEADER	cat. no.	Product - Customer Draw	sheet 2 of 3		
	0.XX	±0.25								
	0.XXX	±								
	angular	0°	±°	www.fci.com						

Prod File - REC C - 2009-04-20

1

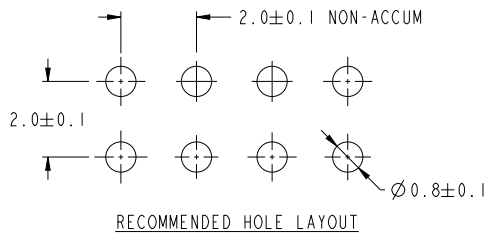
2

3

PDS: Rev AA

STATUS: Released

Printed: Feb 26, 2014



NOTES:

1. MATERIAL:
BODY : HIGH TEMPERATURE PLASTIC UL 94V-0 BLACK
PIN : COPPER ALLOY
2. TOLERANCE UNLESS OTHERWISE NOTED ± 0.25
3. STAND-OFF DESIGN FOR 2X2 POS. REFERS TO FIG. 1.
4. POLARISED BY OMISSION OF PINS. REFER TO TABLE FOR POSITION.
5. 94278-XXXLF IS SAME TO 94278-XXX. THE 'LF' IS ADDED JUST FOR EASY LEAD FREE IDENTIFICATION
6. THE HOUSING WILL WITHSTAND EXPOSURE TO 255°C PEAK TEMPERATURE FOR 10 SECONDS IN A CONVECTION, INFRA-RED OR VAPOR PHASE REFLOW OVEN.
7. THE HOUSING WILL WITHSTAND EXPOSURE TO 260°C PEAK TEMPERATURE FOR 10 SECONDS IN A WAVE SOLDERING APPLICATION WITH A 1.57MM MINIMUM THICK CIRCUIT BOARD.
8. THIS PRODUCT MEETS EUROPEAN UNION DIRECTIVES AND OTHER COUNTRY REGULATIONS AS DESCRIBED IN GS-22-008.

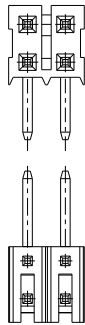


FIG. 1
SEE NOTE 3

spec ref	-			dr	Andrew Yang	20140221	projection	MM	size	A3	scale	5:1		
tolerance std	TOLERANCES UNLESS OTHERWISE SPECIFIED			eng	Guo-Min Sun	20140225			ecn no	ELX-N-17048-1				
ISO 406				chr	-	-			rel level	Released				
ISO 1101				appr	Rick Blum	20140226	product family	MINITEK						
surface	linear	0.X	±		FCI MINITEK II R/A HEADER www.fci.com	cat. no.	-	Product - Customer Drw	eng no	94278		rev	AA	
		0.XX	±0.25											
ISO 1302	angular	0°	±°											