

## Excellent Integrated System Limited

Stocking Distributor

Click to view price, real time Inventory, Delivery & Lifecycle Information:

[FCI](#)  
[HM2G04](#)

For any questions, you can email us directly:

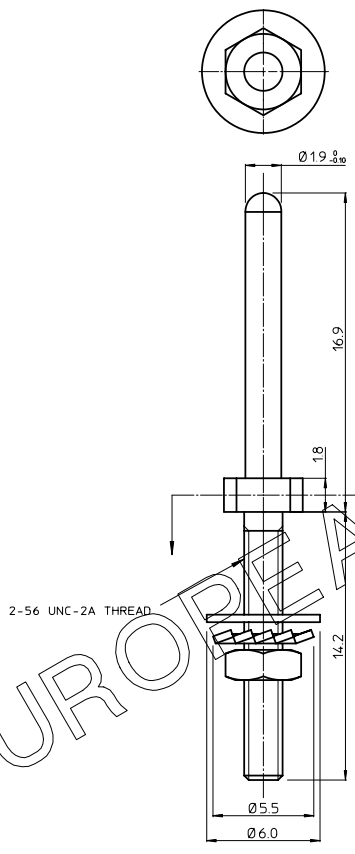
[sales@integrated-circuit.com](mailto:sales@integrated-circuit.com)

BS,C , 201911, 010

GEN. ST.	01	02	03	04	05	06	07	08	0D	50	60	70	80	90															
INT. ST.	10	11	12	13	14	18	20	31	32	33	34	38	39	40	42	43	44	45	46	48	56	70	72	73	76	81	83	84	88

REV	DATE	DESCRIPTION	BY	C'K'D'
A	2001-09-14	CONVERSION REVISION 02	KN	
B	2005-12-30	105-0244	ALEX B	BKP
C	2006-08-03	106-0119	VIVEX	BKP
D	2008-05-09	108-0063	AB	AB

EUROPEAN PROJECTION



LEAD FREE INDICATOR : LF = LEAD FREE  
HM2G04LF

- NOTES**
1. MATERIAL GUIDE PIN : 1/2 HARD BRAS.
  2. FINISH: 0.3 TO 3 μ Ni PLATED ALLOYER.
  3. THE PRODUCT (LF) MEETS EUROPEAN UNION DIRECTIVES AND OTHER COUNTRY REGULATIONS AS DESCRIBED IN GS-22-008

THIS IS OUR EXCLUSIVE PROPERTY. IT IS NOT TO BE COPIED, REPRINTED OR DISCLOSED TO A THIRD PARTY. FOR USE FOR MANUFACTURING WITHOUT OUR WRITTEN CONSENT, AND HAS TO BE RETURNED TO US IN CASE OF NO USAGE

DIT IS ONZE EIGENDOM EN MAG NIET WEGNAMM. HERDRUKT, OVERGEMAKT AM ANDEREN, NIET VOOR FABRICATIE GEBRUIKT WORDEN, ZONDER ONZE SCHRIFTELIJKE TOELATING. BIJ NIET GEBRUIK IS TERUGZENDING VERPLICHT.

1DEC ±0.2 2DEC ±0.1 ANGLES ±1°	<b>APPR.</b> DRAFT CHECKED	<b>DATE</b> 1996-04-30 2008-05-09	<b>SIGN.</b> W. Panis AB	MILLIPACS 2 / GUIDING PIN FOR 8 ROW MALE
WE RESERVE THE RIGHT TO CHANGE DIMENSIONS OR REQUIREMENTS WITHOUT PRIOR NOTICE	PROD. MGR PR. ENG. MGR PR. MGT. MGR	2008-05-09 2008-05-09	VM AB	<b>CAT. No.</b> HM2G04LF
ALL DIMENSIONS IN MM	<b>REFERENCES</b>		<b>FCJ</b> www.fciconnect.com	<b>SCALE</b> 3 / 1
		<b>DRAWING No.</b> BS,C , 201911, 010		<b>REVISION</b> D

PDM: Rev.D STATUS: Released Printed: Sep 30, 2009