

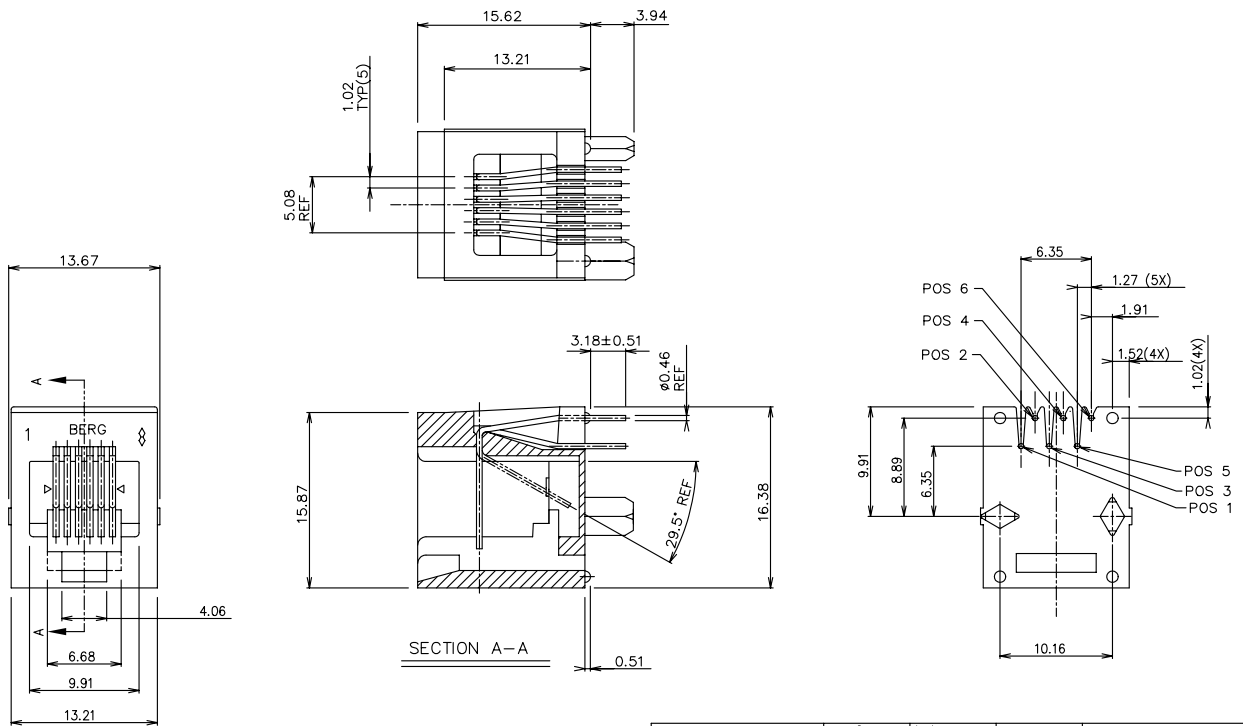
## Excellent Integrated System Limited

Stocking Distributor

Click to view price, real time Inventory, Delivery & Lifecycle Information:

[FCI](#)  
[93899-001LF](#)

For any questions, you can email us directly:  
[sales@integrated-circuit.com](mailto:sales@integrated-circuit.com)



mat'l. code	surface	tolerance	projection	product family
	ISD1302 ✓	ISD1101 ISD406		MOD JACK
l tr ecn n d r date	tolerances unless otherwise specified			title
C 140304 RJ 12/28/94	angles	0.XX±0.3	mm	6 POS VERTICAL P.C B. M/J
D 170145 CL 02/13/97	lengths	0.XX±0.15	scale 2.0	ASSY WITHOUT PANEL STOPS
E T03-0443 WL 10/06/03	0°±2'	0.XXX±0.05		FCI
F N05-0030 YS 02/05/05	dir	CL FENG 08/26/93	dwg no	sheet 1 of 2
G EX-N-010988 SH MD 03/14/12	eng	TONY CHIEN 08/26/93	93899	A4
	chr	TONY CHIEN 08/26/93	type	Product Customer Drawing
	appd	JENN TSAO 08/26/93		
sheet revision 6				
index sheet 1 2				



1 | 2

FCIconnect.com

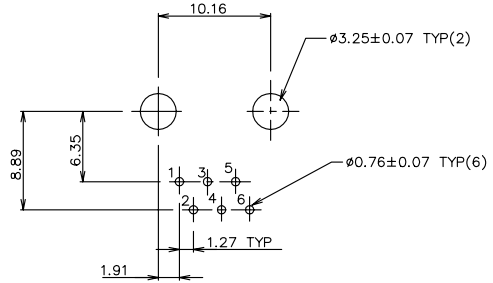
3

4

PRODUCT No	POSITION LOADED	CONTACT PLATING	HSG COLOR	NOTES
93899-001 93899-001LF	ALL	5u" Au + high performance lubricant	BLACK	NOTE 3

NOTES :

- SPECIAL PACKAGING.
- PACKAGING SPEC. BUS-14-164.
- THE PRODUCT MEETS EUROPEAN UNION DIRECTIVES AND OTHER COUNTRY REGULATIONS AS DESCRIBED IN GS-22-008
- THE HOUSING WILL WITHSTAND EXPOSURE TO 260° PEAK TEMPERATURE FOR 10 SECONDS IN A WAVE SOLDER APPLICATION WITH A 1.60mm MINIMUM THICK CIRCUIT BOARD
- IF LF P/N PACKAGING MEETS GS-14-920 SPECIFICATION



BOARD LAYOUT  
 VIEWED FROM TOP

mat'l. code	surface	tolerance	projection	product family
	ISD1302 ✓	ISD1101 ISD406		MOD JACK
ltr	ecr	ndr	date	title
G				6 POS VERTICAL P.C B. M/J
				ASSY WITHOUT PANEL STOPS
				scale 2.0
	dr	CL FENG	08/26/93	dwg no 93899 sheet 2 of 2 size A4 type Product Customer Drawing
	eng	TONY CHIEN	08/26/93	
	chr	TONY CHIEN	08/26/93	
	appd	JENN TSAO	08/26/93	
sheet	revision			
index	sheet			