



Distributor of FCI: Excellent Integrated System Limited

Datasheet of D50S82C6GX00LF - D-Sub Connector Receptacle, Female Sockets 50 Position Through Hole, Right Angle Press-Fit

Contact us: sales@integrated-circuit.com Website: www.integrated-circuit.com

Excellent Integrated System Limited

Stocking Distributor

Click to view price, real time Inventory, Delivery & Lifecycle Information:

[FCI](#)

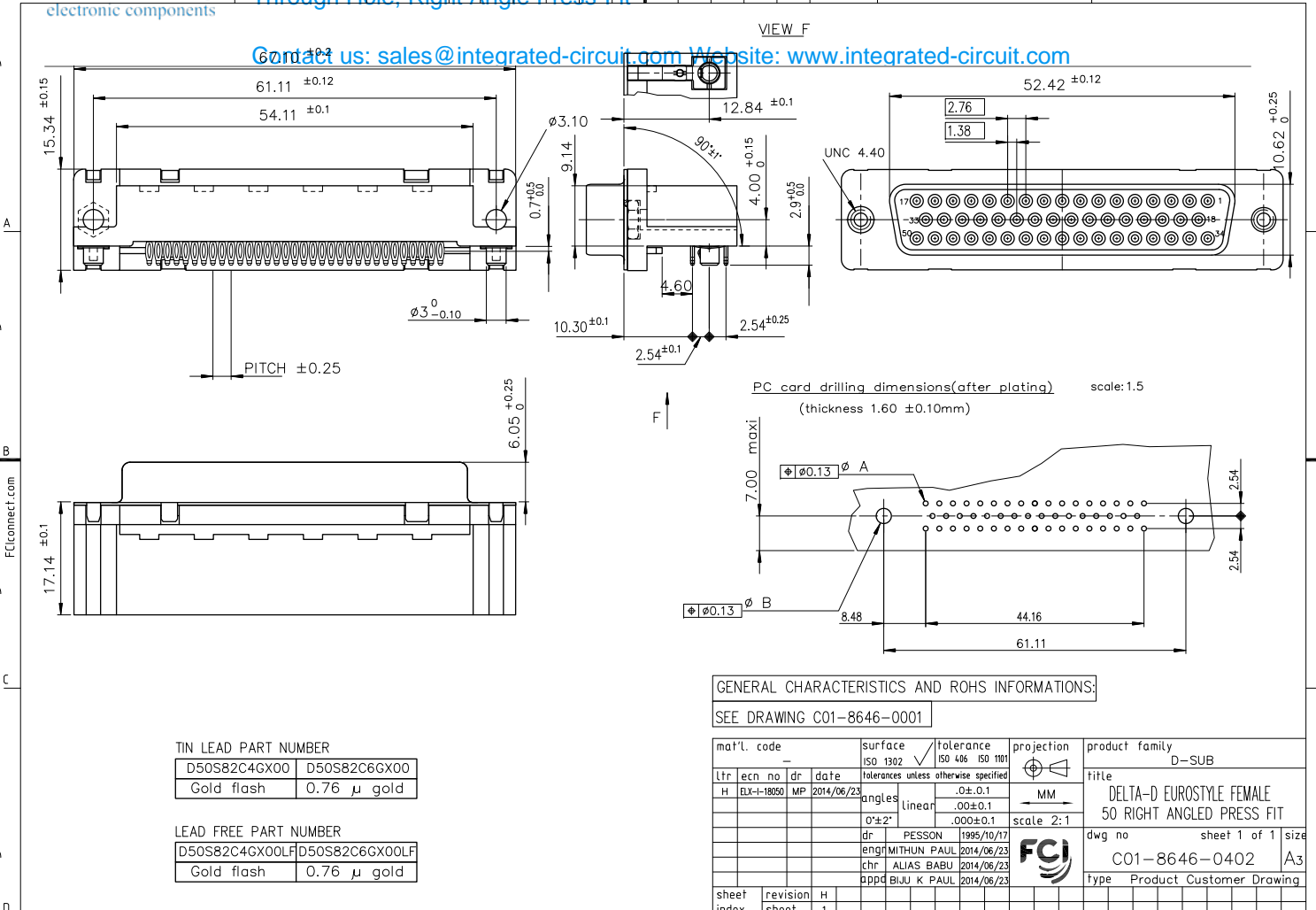
[D50S82C6GX00LF](#)

For any questions, you can email us directly:

sales@integrated-circuit.com

Contact us: sales@integrated-circuit.com Website: www.integrated-circuit.com

VIEW F



GENERAL CHARACTERISTICS AND ROHS INFORMATIONS:

SEE DRAWING C01-8646-0001

mat'l. code	-	surface	ISO 1302 ✓	tolerance	ISO 406 ISO 1101	projection	product family	D-SUB
lfr	ecn no	dr	date	tolerances unless otherwise specified		→	title	
H	BX-18050	MP	2014/06/23	angles	linear	MM	DELTA-D EUROSTYLE FEMALE	
				0° ± 2'	.000 ± 0.1	scale 2:1	50 RIGHT ANGLED PRESS FIT	
dr	PESSON	1995/10/17					dwg no	sheet 1 of 1 size
engn	MITHUN PAUL	2014/06/23					C01-8646-0402	A3
chr	ALIAS BABU	2014/06/23						
appd	BIJU K PAUL	2014/06/23					type	Product Customer Drawing
sheet index	revision sheet	H	1					

TIN LEAD PART NUMBER	
D50S82C4GX00	D50S82C6GX00
Gold flash	0.76 µ gold
LEAD FREE PART NUMBER	
D50S82C4GX00LF	D50S82C6GX00LF
Gold flash	0.76 µ gold