



Distributor of FCI: Excellent Integrated System Limited

Datasheet of D50P82C6GX00LF - D-Sub Connector Plug, Male Pins 50 Position Through Hole, Right Angle Press-Fit

Contact us: sales@integrated-circuit.com Website: www.integrated-circuit.com

Excellent Integrated System Limited

Stocking Distributor

Click to view price, real time Inventory, Delivery & Lifecycle Information:

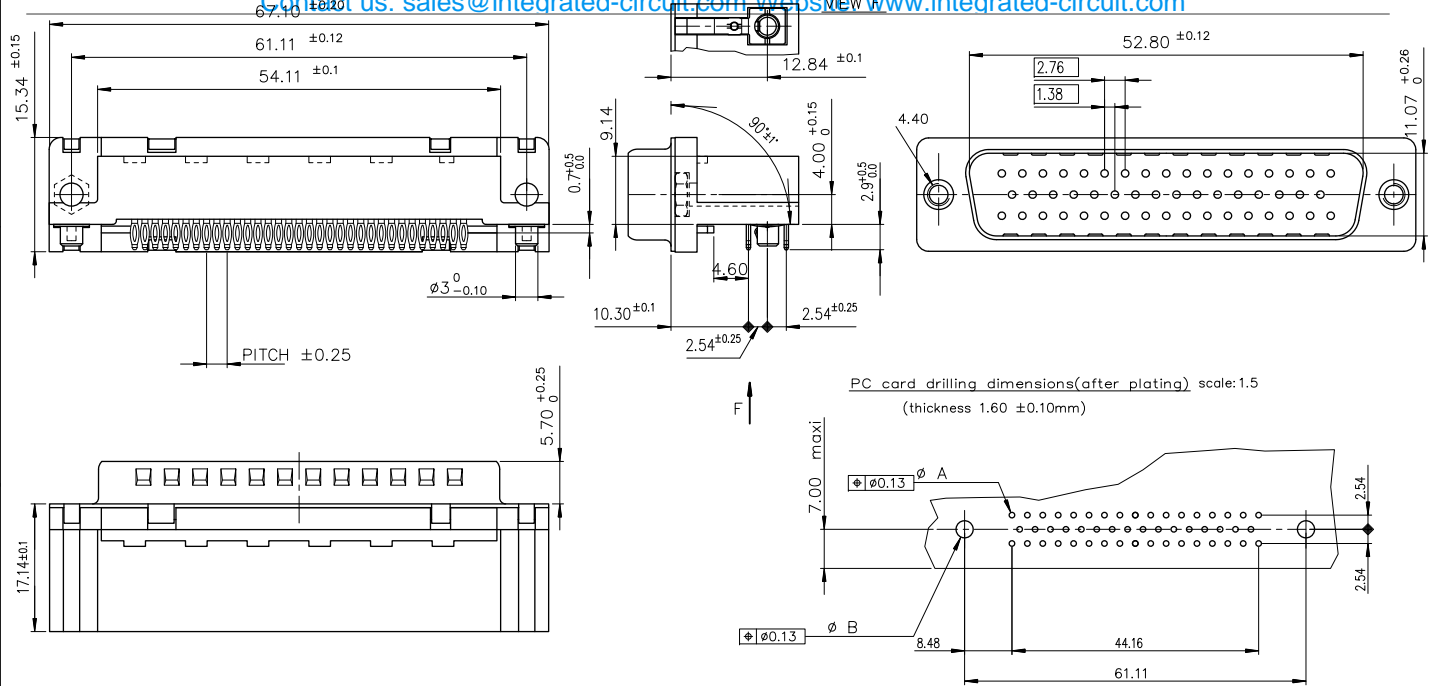
[FCI](#)

[D50P82C6GX00LF](#)

For any questions, you can email us directly:

sales@integrated-circuit.com

Contact us: sales@integrated-circuit.com Website www.integrated-circuit.com



TIN LEAD PART NUMBER

D50P82C4GX00	D50P82C6GX00
Gold flash	0.76 μ gold

LEAD FREE PART NUMBER

D50P82C4GX00LF	D50P82C6GX00LF
Gold flash	0.76 μ gold

GENERAL CHARACTERISTICS AND ROHS INFORMATIONS:
SEE DRAWING C01-8646-0001

mat'l. code	surface ISO 1302	tolerance ISO 406 ISO 1001	projection	product family D-SUB
ltr H	ecn no BLX-I-18050	date 2014/06/23	tolerances unless otherwise specified 0±0.1 linear .00±0.1 angles 0°±2' scale 2:1	title DELTA-D EUROSTYLE MALE 50 RIGHT ANGLED PRESS FIT
dr	PESSON	1995/10/17	MM	dwg no C01-8646-0396
engd	MITHUN PAUL	2014/06/23	FCI	sheet 1 of 1 size A3
chr	ALIAS BABU	2014/06/23		type Product Customer Drawing
appd	BIJU K PAUL	2014/06/23		
sheet index	revision sheet	H		
	1			