



Distributor of FCI: Excellent Integrated System Limited

Datasheet of DB21W1PA00LF - D-Sub Connector Plug, Male Pins 21 (20 + 1 Power) Position
Free Hanging (In-Line) Solder Cup

Contact us: sales@integrated-circuit.com Website: www.integrated-circuit.com

Excellent Integrated System Limited

Stocking Distributor

Click to view price, real time Inventory, Delivery & Lifecycle Information:

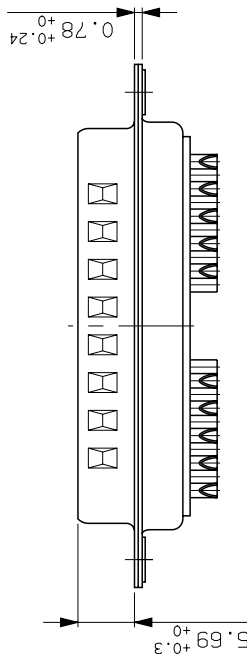
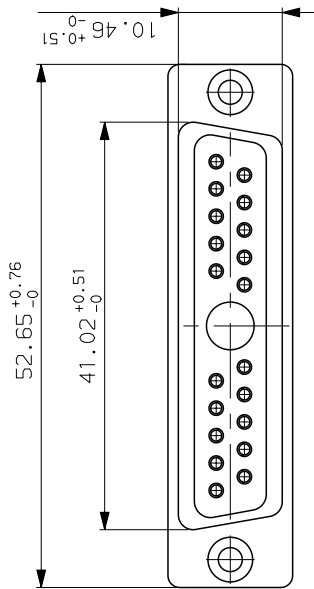
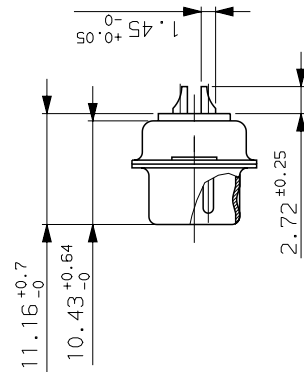
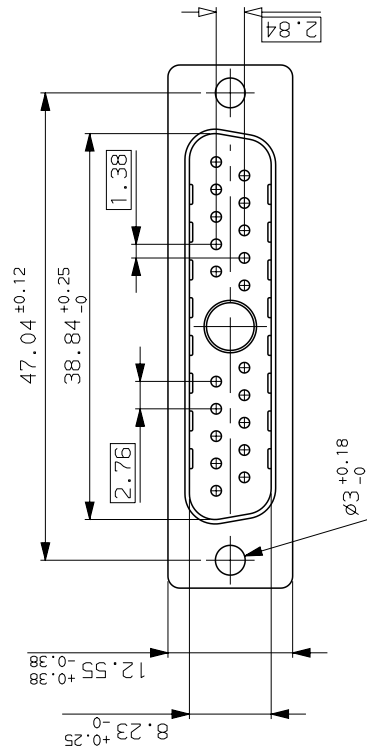
[FCI](#)

[DB21W1PA00LF](#)

For any questions, you can email us directly:

sales@integrated-circuit.com

GENERAL CHARACTERISTICS : SEE DRAWING C01-8639-0000



DB21W1PA00
PART NUMBER

b	01/10/03	update	---
ISS DATE	Latest modification by : DEBRAY.T	MOD N°	---
Designed by: JARRY	date:10/01/01	Type of drawing: CLIENT	
TITLE : PIN CONNECTOR 21W1			
SHEET 1/1			
SCALE: 2			
	FRAMATOME CONNECTORS FRANCE Rue Louis Breguet - Bp 05 72024 LE MANS Cedex Tel. (33)02.43.78.34.00		This document is the property of FRAMATOME CONNECTORS FRANCE It must not be reproduced or communicated without permission in writing from the owners
	FORMAT A3	DRG N° C01-8639-1813	

