



**Distributor of FCI: Excellent Integrated System Limited**

Datasheet of DB9W4P300A00LF - D-Sub Connector Plug, Male Pins 9 (5 + 4 Power) Position Through Hole Solder

Contact us: [sales@integrated-circuit.com](mailto:sales@integrated-circuit.com) Website: [www.integrated-circuit.com](http://www.integrated-circuit.com)

---

## **Excellent Integrated System Limited**

Stocking Distributor

Click to view price, real time Inventory, Delivery & Lifecycle Information:

[FCI](#)

[DB9W4P300A00LF](#)

For any questions, you can email us directly:

[sales@integrated-circuit.com](mailto:sales@integrated-circuit.com)

Contact us: [sales@integrated-circuit.com](mailto:sales@integrated-circuit.com) Website: [www.integrated-circuit.com](http://www.integrated-circuit.com)

A

B

C

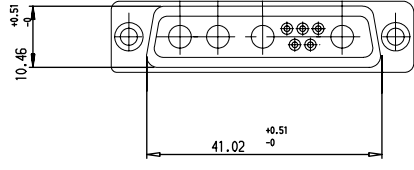
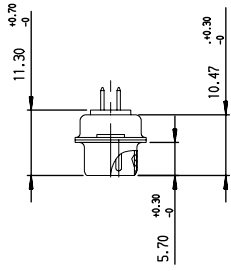
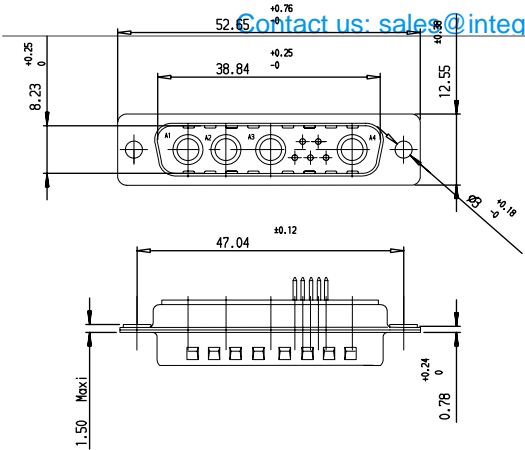
D

A

B

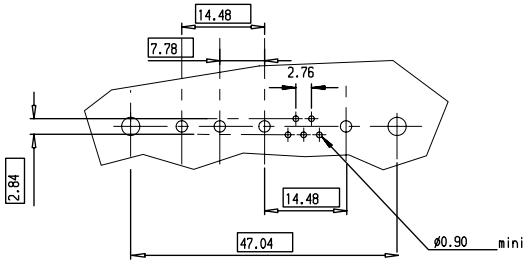
C

D



DB9W4P300A00LF  
PART NUMBER

LAYOUT DIMENSIONS (after plating)  
CONNECTOR SIDE VIEW



GENERAL CHARACTERISTICS AND ROHS INFORMATIONS.  
SEE DRAWING C01-8639-0000

rev	ecn no	dr	date
A	LS05-0106	MPE	2005/12/01
B	LS06-0095	LGO	2006/07/28
-	-	-	-
-	-	-	-
-	-	-	-
-	-	-	-

www.fciconnect.com		surface	tolerance std	projection	mm
Dr	PESSON	ISO 1302	ISO 406 ISO 1101		Scale
Eng	PESSON	TOLERANCES UNLESS OTHERWISE SPECIFIED		size	1.5
Chr	LEGARE	ANGULAR	LINEAR	A3	ECN
Appr	LEGARE	0.X	0.XX	LS06-0095	Spec ref
		0.XX ±2'	0.XXX ±0.1	Product family	D-SUB
				Pin connector with straight contacts	C01-8639-2258
				Rev.	B
				CUSTOMER	sheet 1 of 1

REV F - 2008-04-17