

Excellent Integrated System Limited

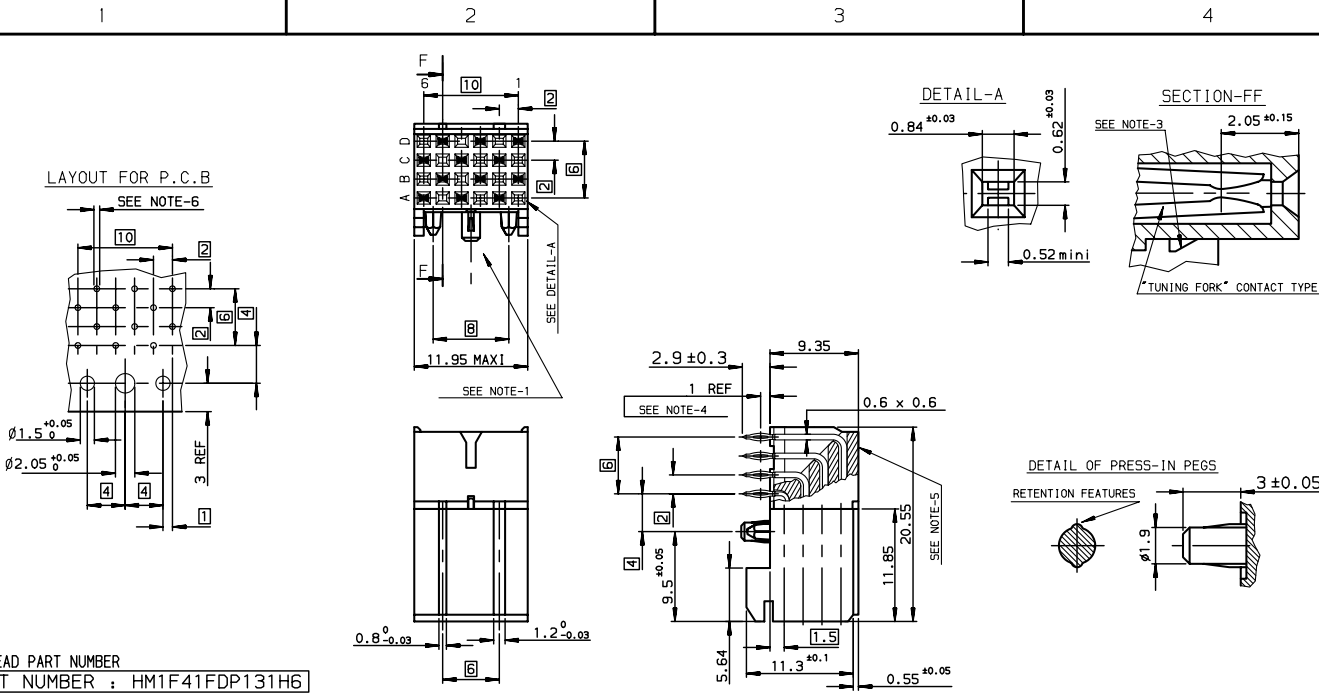
Stocking Distributor

Click to view price, real time Inventory, Delivery & Lifecycle Information:

[FCI](#)
[HM1F41FDP131H6PLF](#)

For any questions, you can email us directly:

sales@integrated-circuit.com



TIN LEAD PART NUMBER
 PART NUMBER : HM1F41FDP131H6

LEAD-FREE PART NUMBER
 PART NUMBER : HM1F41FDP131H6LF

CONTACTS IN POSITION : ROW a-c CAVITY 2-4-6 AND ROW b-d CAVITY 1-3-5

- NOTE-1: PRESS-IN RETENTION PEG
- NOTE-2: CONNECTORS WITH PCB-2.4mm ARE COMPATIBLE WITH WIDE AND NARROW BODIES
- NOTE-3: PLUG FOR CODING KEY FIXING
- NOTE-4: EYE OF THE NEEDLE PRESS-FIT CTS TYPE
- NOTE-5: FLAT ROCK INSERTION TOOLING IN PCB, SEE DRW REF: C-8626-1003
- NOTE-6: METALIZED HOLE DEFINITION, SEE GS-12-447
- NOTE-7: PRESS FIT PIN FOR PCB HOLE Ø 0.7 REF
- NOTE-8: STANDARD PACKAGING IS IN TUBE ,BUT IF SUFFIX "P" IS ADDED IN P/N ,PACKAGING IS IN TRAYS ,BUT CONNECTOR MARKING IS WITHOUT "P"
 Example: HM1FxxxxxxxH6PLF, marking: HM1FxxxxxxxH6LF

GENERAL CHARACTERISTICS AND ROHS INFORMATIONS:
 SEE GS-12-447

| | | | | | |
|------------------------------------|---------------------|---------------------------------------|--------------------------------|-------------|---------------|
| www.fciconnect.com | | surface 150 1302 | tolerance std 150 406 150 1101 | projection | mm |
| | | TOLERANCES UNLESS OTHERWISE SPECIFIED | | | |
| Dr | CHAMPION 1996/01/12 | ANGULAR | 0.X | ±0.1 | size A3 |
| Eng | LENOIR 1996/01/12 | LINEAR | 0.XX | ±0.1 | Scale 2.5 |
| Chr | LEGARE 1996/01/12 | 0.XX ± 2° | 0.XXX | ±0.1 | ECN LS07-0266 |
| Appr | LEGARE 1996/01/12 | Product family | | METRAL | Spec ref - |
| FCI METRAL FEMALE 4 ROWS 12 CTS | | drawing | | C-8626-0710 | Rev. E |
| RIGHT ANGLE PRESS-FIT/PRESS-IN PEG | | catalog no | | CUSTOMER | sheet 1 of 1 |

Copyright FCI.

REV F - 2006-04-17