

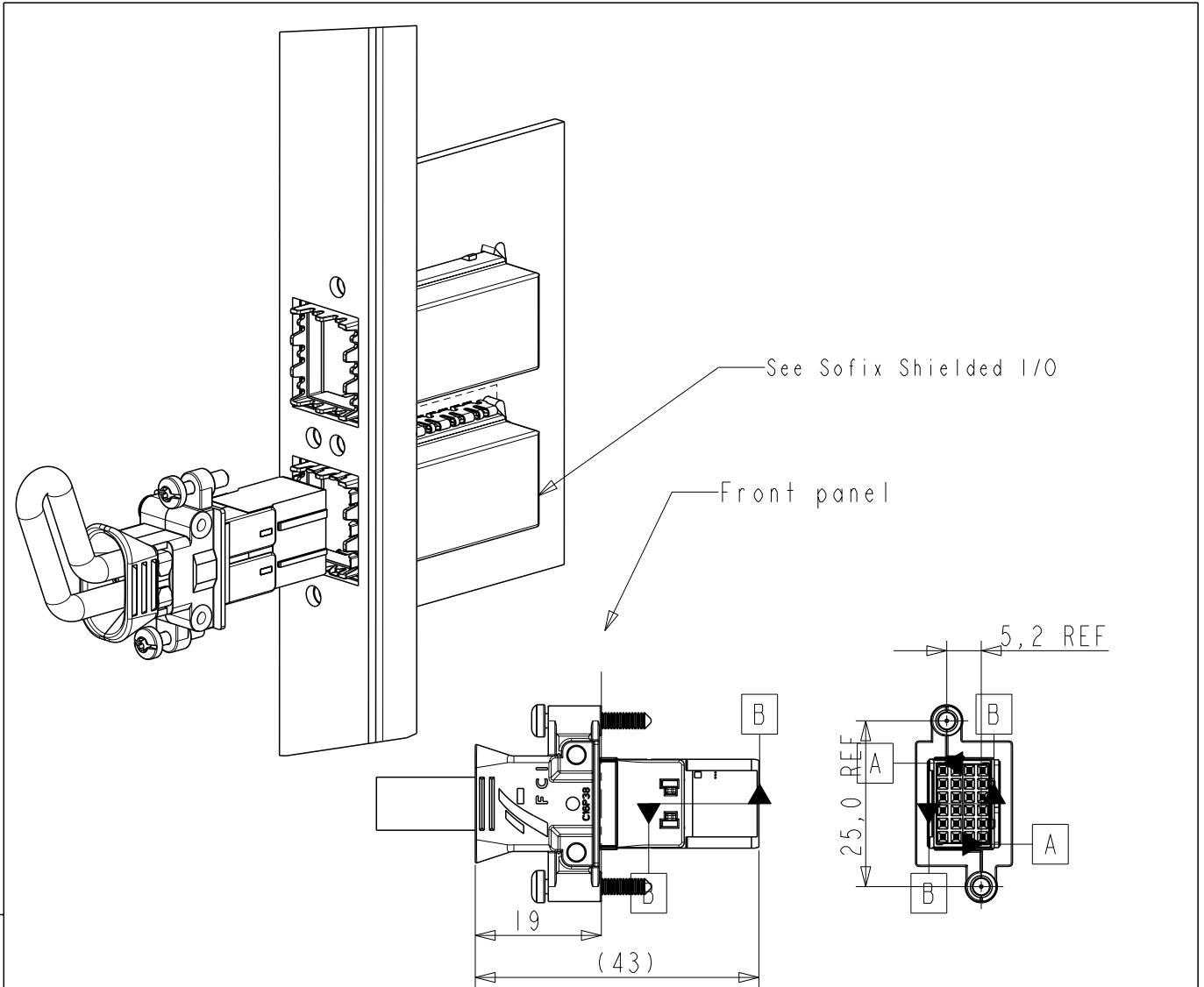
Excellent Integrated System Limited

Stocking Distributor

Click to view price, real time Inventory, Delivery & Lifecycle Information:

[FCI](#)
[HM1C16D2J110EBLF](#)

For any questions, you can email us directly:
sales@integrated-circuit.com



- MATERIAL**
- 1 TERMINAL BLOCK... 30% GLASS FILLED POLYESTER
 - 2 SHROUD... 30% GLASS FILLED POLYAMIDE
FLAME RETARDENT ACC. TO UL-94
 - 3 COVER... ZINC ALLOY
 - 4 TERMINAL... TINBRONZE
 - 5 FERRULE... TINBRONZE
 - 6 SCREW... STEEL
 - 7 RIVET... BRASS

PRODUCT SPECIFICATION: GS-12-308
 PACKAGING SPECIFICATION: EUR-14-008
 APPLICATION SPECIFICATION: GS-20-050

8-ROHS INFORMATIONS:

- This product meets European Union Directives and other country regulations as described in GS-22-008.
- Packaging spec: see GS-14-920.

rev	ecn no	dr	date
B	B20196	PC	2002/11/29
C	LS4129	JTA	2004/12/15
D	LS05-0015	JTA	2005/01/21
E	LS06-0143	LGO	2006/09/25
F	LS07-0255	JTA	2007/11/12
-	-	-	-
-	-	-	-



Performance level	
HM1C16D-J110EBLF	Customer Special
HM1C16D-J110N9LF	Standard Product

Copyright FCI.

www.fciconnect.com			surface - <input checked="" type="checkbox"/> tolerance std ISO 1302	ISO 406	ISO 1101	projection	mm
TOLERANCES UNLESS OTHERWISE SPECIFIED							
Dr	P. Claes	2002/11/29	ANGULAR	LINEAR	0.X	±0.3	size A4
Eng	P. Claes	2002/11/29			0.XX	±0.1	
Chr	W. Panis	2002/11/29	0°	±2°	0.XXX	±0.05	ECN LS07-0255
Appr	W. Panis	2002/11/29	Product family METRAL SOFIX			Spec ref	RELEASED

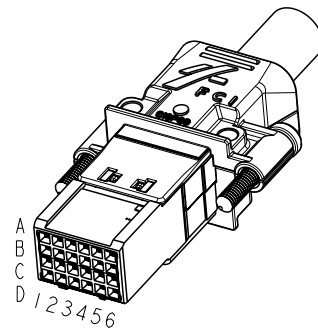
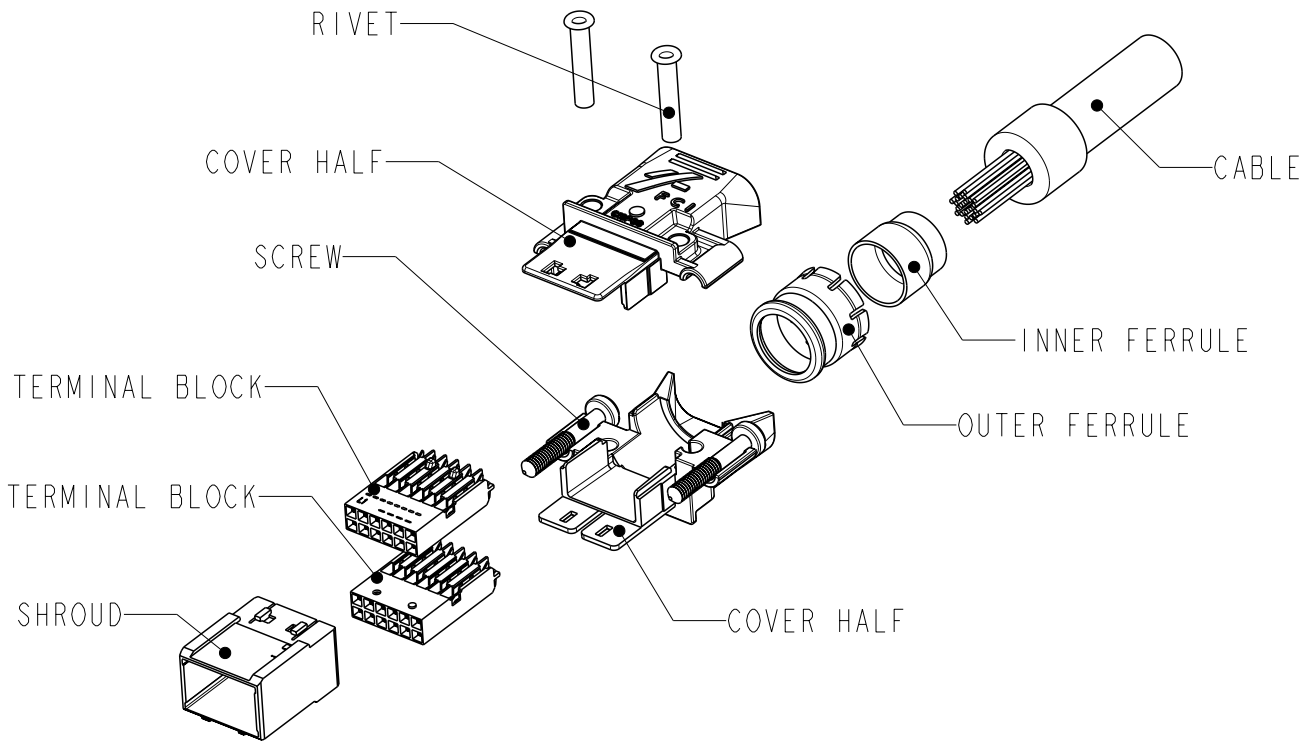


title SHIELDED CABLE CONNECTOR,
24 POS - IDC

dwg no

BSA202877001_C

Rev.
F



INNER FERRULES (to be ordered separately)	Approved cables	Maximum External Ø Cable
-	4 PAIRS, 26 AWG CONDUCTOR DIA: 0.4 mm	8.85
-	12 PAIRS, 26 AWG CONDUCTOR DIA: 0.4 mm	6.60
-	4 CONDUCTORS, 26 AWG CONDUCTOR DIA: 0.4 mm	5.60
-	4 PAIRS, 26 AWG CONDUCTOR DIA: 0.4 mm	4.9
-	4 PAIRS, 26 AWG CONDUCTOR DIA: 0.4 mm	7.85
-	12X2 PAIRS, 26 AWG CONDUCTOR DIA: 0.4 mm	
-	8 PAIRS, 26 AWG CONDUCTOR DIA: 0.4 mm	7.0



Copyright FCI.

www.fciconnect.com			surface - ✓ ISO 1302	tolerance std ISO 406 ISO 1101	projection 	mm 		
			TOLERANCES UNLESS OTHERWISE SPECIFIED					
Dr	P. Claes	2002/11/29	ANGULAR	LINEAR	0.X	±0.3	size A4	Scale 1/1
Eng	P. Claes	2002/11/29			0.XX	±0.1		
Chr	W. Panis	2002/11/29	0°	±°	0.XXX	±0.05	ECN	LS07-0255
Appr	W. Panis	2002/11/29	Product family		METRAL SOFIX	Spec ref	RELEASED	



title SHIELDED CABLE CONNECTOR,
24 POS - IDC

dwg no

BSA202877001_C

Rev.
F

LEAD-FREE PRODUCTS: (see note 8)

Kit: HM1C16D-J110XXLF	
COMPONENTS	QTY
SHROUD	1
COVER HALF	1
COVER HALF	1
RIVET	2
SCREW	2
TERMINAL BLOCK LEFT	1
TERMINAL BLOCK RIGHT	1
OUTER FERRULE	1



Dimension with oval around are critical dimensions including any attached geometrical tolerance. Other features or stand-alone geometrical tolerances being critical have a note "CRITICAL FEATURE" below the item
 A symbol (x: drawing current revision) will be next to any dimension, view or note which has been modified with the current drawing revision



Copyright FCI.

www.fciconnect.com			surface - ISO 1302	tolerance std ISO 406 ISO 1101	projection 	mm
			TOLERANCES UNLESS OTHERWISE SPECIFIED		size A4	Scale 1/1
Dr	P. Claes	2002/11/29	ANGULAR	0.X		
Eng	P. Claes	2002/11/29		LINEAR	0.XX	±0.1
Chr	W. Panis	2002/11/29			0° ±°	0.XXX
Appr	W. Panis	2002/11/29	Product family METRAL SOFIX		Spec ref	RELEASED
	title SHIELDED CABLE CONNECTOR, 24 POS - IDC				dwg no	BSA202877001_C
					Rev.	F