



Distributor of FCI: Excellent Integrated System Limited

Datasheet of DAO11W1PA00LF - D-Sub Connector Plug, Male Pins 11 (10 + 1 Power) Position
Free Hanging (In-Line) Solder Cup

Contact us: sales@integrated-circuit.com Website: www.integrated-circuit.com

Excellent Integrated System Limited

Stocking Distributor

Click to view price, real time Inventory, Delivery & Lifecycle Information:

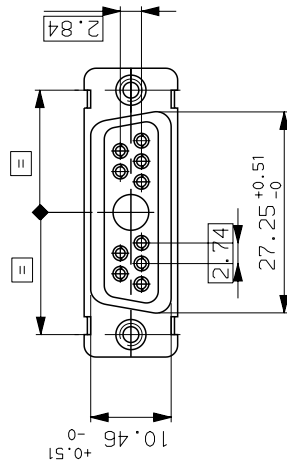
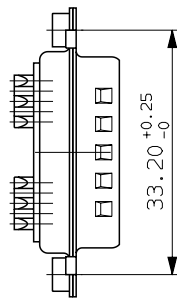
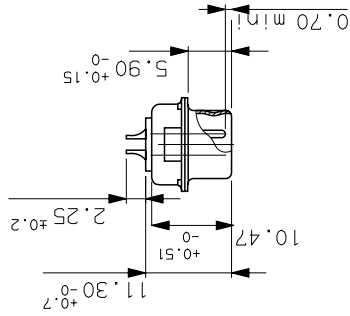
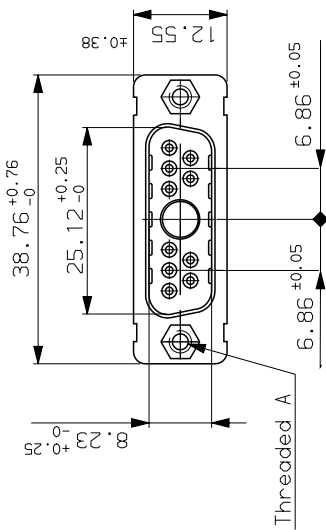
[FCI](#)

[DAO11W1PA00LF](#)

For any questions, you can email us directly:

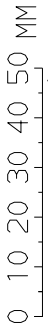
sales@integrated-circuit.com

GENERAL CHARACTERISTICS : SEE DRAWING C01-8639-0000



DAL11W1PA00	M3
DA011W1PA00	UNC 4.40
PART NUMBER	Threaded A

b	29/09/03	update	---
ISS	DATE	Latest modification by :	MOD N°
Designed by: JARRY		date: 29/12/00	Type of drawing: CLIENT
TITLE : PIN CONNECTOR FOR POWER CONTACT.			
SHEET 1 / 1			
SCALE: 1.5			
	FRAMATOME CONNECTORS FRANCE		This document is the property of FRAMATOME CONNECTORS FRANCE It must not be reproduced or communicated without permission in writing from the owners
	Rue Louis Breguet - Bp 05 72024 LE MANS Cedex Tel. (33)02.43.78.34.00		
FORMAT	A3	DRG N°	PROJECT
C01-8639-1781		M94D001	



A B C D E F G H