

Excellent Integrated System Limited

Stocking Distributor

Click to view price, real time Inventory, Delivery & Lifecycle Information:

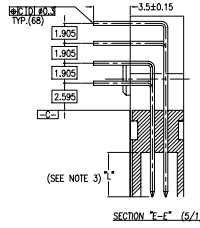
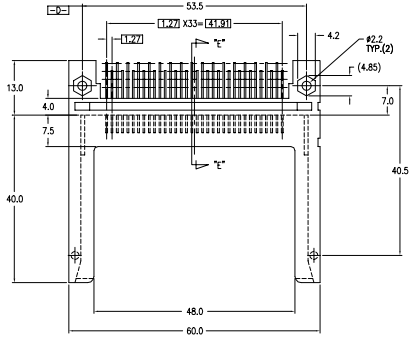
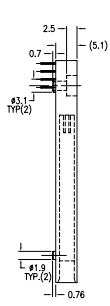
[FCI](#)

[90937-002LF](#)

For any questions, you can email us directly:

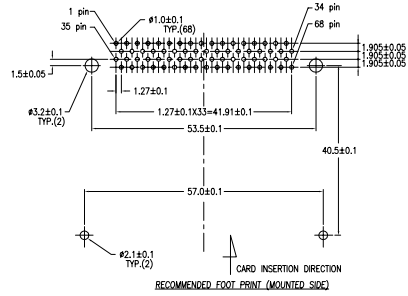
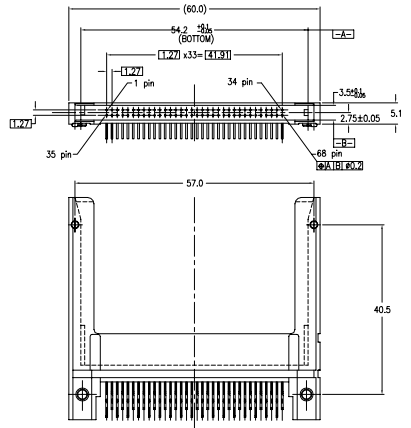
sales@integrated-circuit.com

PRODUCT No.
90937-002
90937-002LF



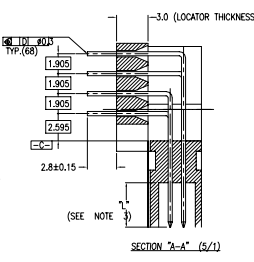
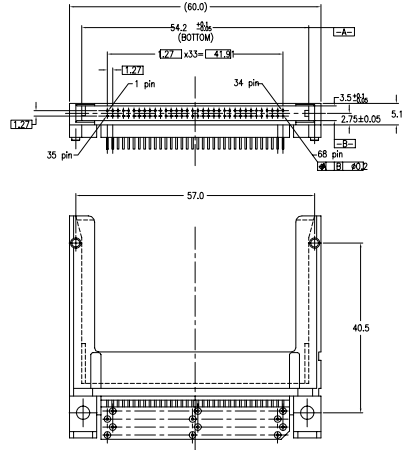
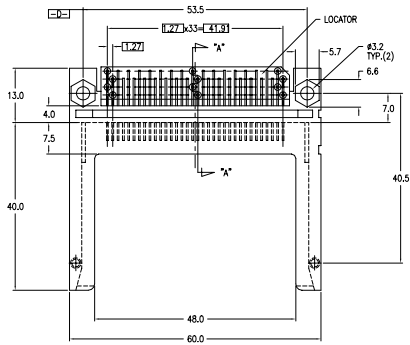
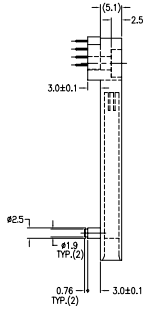
- NOTE
- MATERIAL
 BODY - HIGH TEMPERATURE THERMOPLASTIC UL94V-0 BLACK
 PIN - PHOSPHOR BRONZE
 - FINISH(PIN)
 ALL OVER : Ni UNDER PLATING 0.5um THK MIN.
 CONTACT AREA : 0.076 um MIN. GOLD
 SOLDER TAIL(With Lead option) : Sn/Pb 2.5um THK MIN.
 SOLDER TAIL(Lead free option) : Pure Tin 2.5um THK MIN.
 - DIMENSION "L"

1,17,34,35,51,68PIN	5.0±0.1
36,67PIN	3.5±0.1
OTHERS	4.25±0.1
 - CARD SLOT AND PIN DIMENSIONS PER JEIDA/PCMCIA STANDARDS
 - IF LEAD FREE P/N THE HOUSING WILL WITHSTAND EXPOSURE TO 260°C PEAK TEMPERATURE FOR 10 SECONDS IN A WAVE SOLDER APPLICATION WITH A 1.00MM MINIMUM THICK CIRCUIT BOARD.
 - IF LEAD FREE P/N THE PRODUCT MEETS EUROPEAN UNION DIRECTIVES AND OTHER COUNTRY REGULATIONS AS DESCRIBED IN GS-22-008
 - LEAD FREE P/N PACKAGING MEETS GS-14-920 SPECIFICATION
 - PRODUCT SPEC:110-263



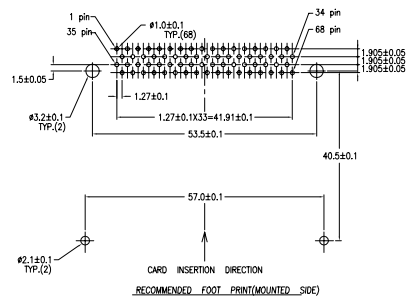
mat'l. code	surface	tolerance	projection	product family
	ISD1302	ISD101 ISD406		MCS
l t r e c n n d a r d a t e	tolerances unless otherwise specified			
c	angle	±0.3	MM	68POS. HEADER ASS'Y
	0°±2'	scale 2:1		JEIDA / PCMCIA TYPE I,II
	dr S.Ohmori	6/1/93		dwg no
	engr S.Ohmori	6/1/93		90937
	chr S.Ohmori	6/1/93		sheet 2 of 4
	appd S.Ohmori	6/1/93		size A4
sheet	revision		type	Product Customer Drawing
index	sheet			

PRODUCT No.
 90937-013
 90937-013LF



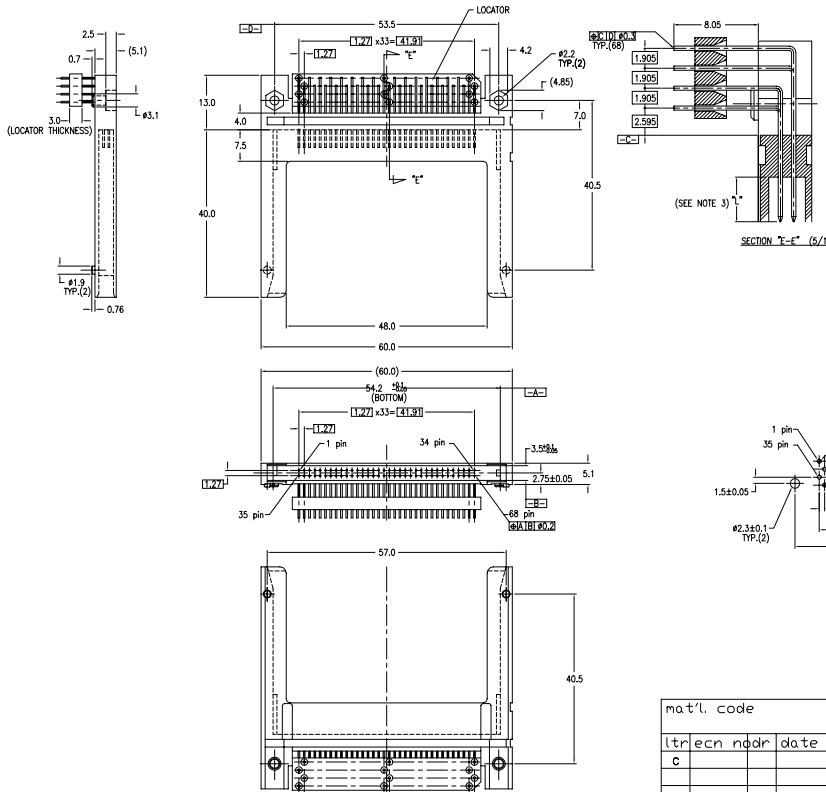
- NOTE
- MATERIAL
 BODY : HIGH TEMPERATURE THERMOPLASTIC UL94V-0 BLACK
 PIN : PHOSPHOR BRONZE
 - FINISH(PIN)
 ALL OVER : Ni UNDER PLATING 0.5um THK MIN.
 CONTACT AREA : 0.076 um MIN. GOLD
 SOLDER TAIL(Tin Lead option) : Sn/Pb 2.5um THK MIN.
 SOLDER TAIL(Lead free option) : Pure Tin 2.5um THK MIN.
 - DIMENSION "L"

1,17,34,35,51,68PIN	5.0±0.1
36,67PIN	3.5±0.1
OTHERS	4.25±0.1
 - CARD SLOT AND PIN DIMENSIONS PER JEIDA/PCMCIA STANDARDS
 - IF LEAD FREE P/N THE HOUSING WILL WITHSTAND EXPOSURE TO 260°C PEAK TEMPERATURE FOR 10 SECONDS IN A WAVE SOLDER APPLICATION WITH A 1.00MM MINIMUM THICK CIRCUIT BOARD.
 - IF LEAD FREE P/N THE PRODUCT MEETS EUROPEAN UNION DIRECTIVES AND OTHER COUNTRY REGULATIONS AS DESCRIBED IN GS-22-008
 - LEAD FREE P/N PACKAGING MEETS GS-14-920 SPECIFICATION
 - PRODUCT SPEC:110-263



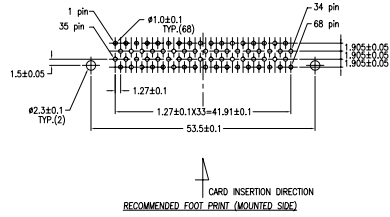
mat'l. code	surface	tolerance	projection	product family
	ISD1302	ISD1101 ISD406		MCS
l/tecn nbar date	tolerances unless otherwise specified			title
c	angle	0°±2'	MM	68POS. HEADER ASS'Y
	scale	2:1		JEIDA / PCMCIA TYPE I,II
dr S.Ohmori	6/1/'93		FCI	dwg no 90937
engr S.Ohmori	6/1/'93			sheet 3 of 4
chr S.Ohmori	6/1/'93			size A4
appd S.Ohmori	6/1/'93			type Product Customer Drawing
sheet index	revision sheet			

PRODUCT No.
90937-003
90937-003LF



- NOTE
1. MATERIAL
 BODY : HIGH TEMPERATURE THERMOPLASTIC UL94V-0 BLACK
 PIN : PHOSPHOR BRONZE
 2. FINISH(PIN)
 ALL OVER : Ni UNDER PLATING 0.5um THK MIN.
 CONTACT AREA : 0.076 μm MIN. GOLD
 SOLDER TAIL(Tin Lead option) : Sn/Pb 2.5um THK MIN.
 SOLDER TAIL(Lead free option) : Pure Tin 2.5um THK MIN.
 3. DIMENSION "L"

1,17,34,35,51,68PIN	5.0±0.1
36,67PIN	3.5±0.1
OTHERS	4.25±0.1
 4. CARD SLOT AND PIN DIMENSIONS PER JEIDA/PCMCIA STANDARDS
 5. IF LEAD FREE P/N,THE HOUSING WILL WITHSTAND EXPOSURE TO 260°C PEAK TEMPERATURE FOR 10 SECONDS IN A WAVE SOLDER APPLICATION WITH A 1.00MM MINIMUM THICK CIRCUIT BOARD.
 6. IF LEAD FREE P/N,THE PRODUCT MEETS EUROPEAN UNION DIRECTIVES AND OTHER COUNTRY REGULATIONS AS DISCRIBED IN GS-22-008
 7. LEAD FREE P/N PACKAGING MEETS GS-14-920 SPECIFICATION
 8. PRODUCT SPEC:110-263



mat'l. code	surface	tolerance	projection	product family
	ISD1302	ISD1101 ISD406		MCS
l'tec nndr date	tolerances unless otherwise specified			title
c	angle	0±2'	MM	68POS. HEADER ASS'Y
	scale	2:1		JEIDA / PCMCIA TYPE I,II
	dr	S.Ohmori	6/1/93	dwg no
	engr	S.Ohmori	6/1/93	90937
	chr	S.Ohmori	6/1/93	sheet 4 of 4
	appd	S.Ohmori	6/1/93	size A4
sheet index	revision			type Product Customer Drawing