

Excellent Integrated System Limited

Stocking Distributor

Click to view price, real time Inventory, Delivery & Lifecycle Information:

[FCI](#)
[HM2P07PDK2W0N9LF](#)

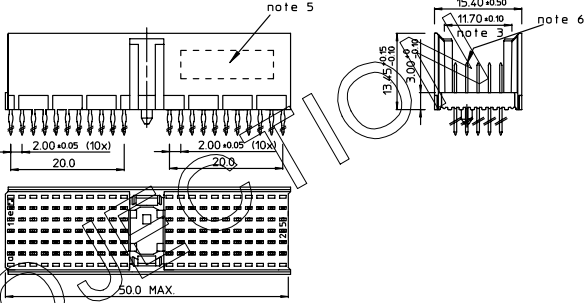
For any questions, you can email us directly:
sales@integrated-circuit.com

BS.C.201843.954	D	GEN. ST.	01	02	03	04	05	06	07	08	0D	50	60	70	80	90	REV	DATE	DESCRIPTION	BY	C'K'D'	
		INT. ST.	10	11	12	13	14	18	20	31	32	33	34	38	39	40	42	A	2001-09-14	CONVERSION REVISION 02	KN	
																		B	2002-05-28	EC 820086	WF	
																		C	2005-10-06	105-0184	ALEX B	BKP
																		D	2006-08-03	106-0119	ALEX B	BKP

LOADING PATTERN MATING SIDE

LOADED CONNECTOR ASSEMBLY (FOR EXAMPLE)

f	0	0	0	0	0	0	0	0	0	0	0	0	0	0	0	0	0	0	0	0	0	0	0	0	0	0	0
e	4	4	4	4	4	4	4	4	4	4	4	4	4	4	4	4	4	4	4	4	4	4	4	4	4	4	6
d	4	4	4	4	4	4	4	4	4	4	4	4	4	4	4	4	4	4	4	4	4	4	4	4	4	4	6
c	4	4	4	4	4	4	4	4	4	4	4	4	4	4	4	4	4	4	4	4	4	4	4	4	4	4	6
b	4	4	4	4	4	4	4	4	4	4	4	4	4	4	4	4	4	4	4	4	4	4	4	4	4	4	5
a	4	4	4	4	4	4	4	4	4	4	4	4	4	4	4	4	4	4	4	4	4	4	4	4	4	4	6
Z	0	0	0	0	0	0	0	0	0	0	0	0	0	0	0	0	0	0	0	0	0	0	0	0	0	0	0
SOP	0	1						1							2												2

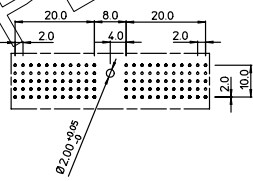
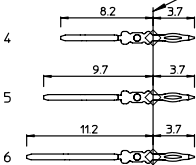


SHEET NR. :

CONTACT OVERVIEW

SEATING PLANE FOR CONNECTOR

LAY-OUT P.C.B.-HOLE



LEAD FREE INDICATOR : LF = LEAD FREE (DIGIT 15 & 16)

HM2P07PDK2W0

PLATING CODE (DIGIT 13 AND 14) (REF DWG No. BS.C.201844.003)

NOTES:

1. THIS PRODUCT IS CSA APPROVED.
2. THIS PRODUCT IS UL RECOGNIZED.
3. MEASURED AT THE BOTTOM.
4. MATERIAL CONTACT: PHOSPHORBRONZE
HOUSING: CREAM WHITE GLASSFILLED POLYESTER UL-94V0
5. CONNECTOR PRINTED WITH P/N AND DATE CODE.
6. FOR ACTUAL CONTACT LOADINGS, SEE LOADING PATTERN MATING SIDE.
7. SHAPE OF CONNECTOR HOUSING CAN ALTER DEPENDING ON PRODUCTION LOCATION.
8. THE PRODUCT (LF) MEETS EUROPEAN UNION DIRECTIVES AND OTHER COUNTRY REGULATIONS AS DESCRIBED IN GS-22-008
9. FOR RECOMMENDED PTH DIMENSIONS REFER DRAWING : BS.A.201572.001

1DEC ±0.2 2DEC ±0.1 ANGLES ±1°	APPR. DATE SIGN.	LOADING PATTERN OVERVIEW CAT. No. HM2P07PDK2W0----	SCALE
WE RESERVE THE RIGHT TO CHANGE DIMENS (ON) OR RECAL/REMENTS WITHOUT PRIOR NOTICE.	DRAFT CHECKED PROD MGR PR ENG MGR PR MGT MGR	FCJ www.fciconnect.com	
ALL DIMENSIONS IN MM	REFERENCES	BS.C.201843.954	D
		PDM: Rev:D	STATUS: Released CUSTOMER DRAWING REVISION

THIS IS OUR EXCLUSIVE PROPERTY. IT IS NOT TO BE COPIED, REPRINTED OR DISCLOSED TO A THIRD PARTY...
 DIT IS ONZE EIGENDOM EN MAG NIET NAARMAKT, HERDRUKT, OVERNEMT AM...
 DIMENSIONS IN MM