

Excellent Integrated System Limited

Stocking Distributor

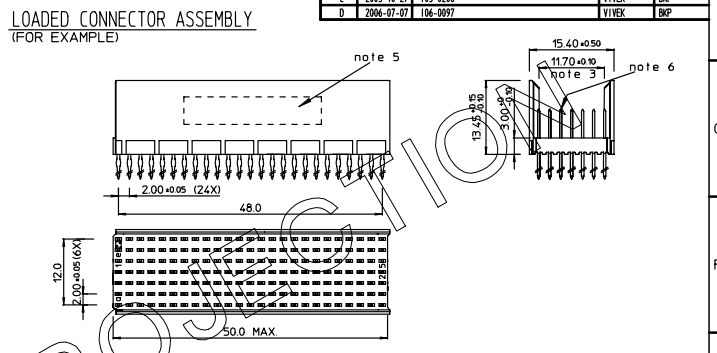
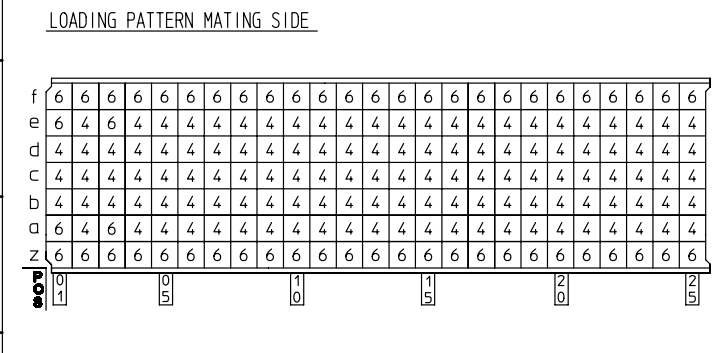
Click to view price, real time Inventory, Delivery & Lifecycle Information:

[FCI](#)
[HM2P08PDT1G1N9](#)

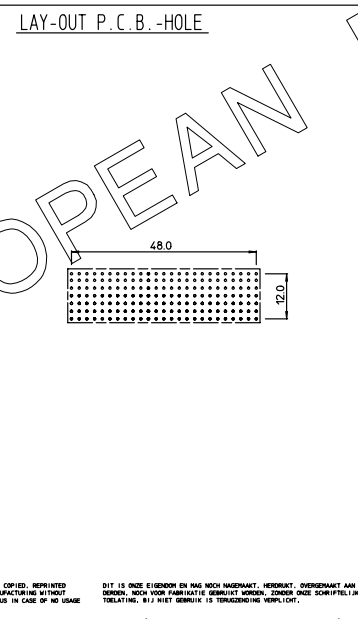
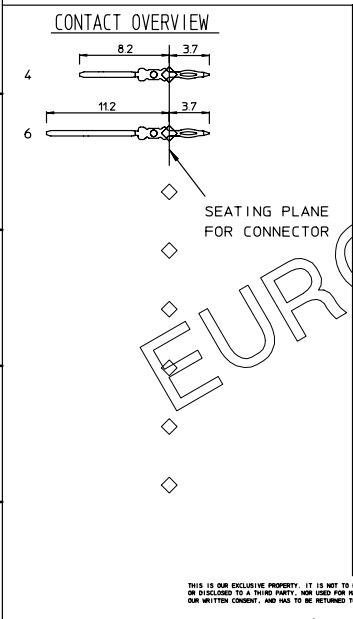
For any questions, you can email us directly:

sales@integrated-circuit.com

BS.C. 201843.454	D	GEN. ST.	01	02	03	04	05	06	07	08	0D	50	60	70	80	90	REV.	DATE	DESCRIPTION	BY	C'K'D'
		INT. ST.	10	11	12	13	14	18	20	31	32	33	34	38	39	40	A	2001-09-04	CONVERSION REVISION 02	TON	
			43	44	45	46	48	56	70	72	73	76	81	83	84	88	B	2002-05-28	EC B20006	MF	
																	C	2005-10-27	105-0208	VIVEX	80P
																	D	2006-07-07	106-0097	VIVEX	80P



SHEET NR. : 557



HM2P08PDT1G1 LEAD FREE INDICATOR : LF = LEAD FREE (DIGIT 15 & 16)

PLATING CODE (DIGIT 13 AND 14)
 (REF DWG No. BS.C. 201844.003)

- NOTES:
- THIS PRODUCT IS CSA APPROVED.
 - THIS PRODUCT IS UL RECOGNIZED.
 - MEASURED AT THE BOTTOM.
 - MATERIAL CONTACT: PHOSPHORBRONZE
HOUSING: CREAM WHITE GLASSFILLED POLYESTER UL-94VO
 - CONNECTOR PRINTED WITH P/N AND DATE CODE.
 - FOR ACTUAL CONTACT LOADINGS, SEE LOADING PATTERN MATING SIDE.
 - SHAPE OF CONNECTOR HOUSING CAN ALTER DEPENDING ON PRODUCTION LOCATION.
 - THE PRODUCT (LF) MEETS EUROPEAN UNION DIRECTIVES AND OTHER COUNTRY REGULATIONS AS DESCRIBED IN GS-22-008
 - FOR RECOMMENDED PTH DIMENSIONS REFER DRAWING : BS.A. 201572.001

1DEC ±0.2 2DEC ±0.1 ANGLES ±1°	APPR.	DATE	SIGN.	LOADING PATTERN OVERVIEW	
WE RESERVE THE RIGHT TO CHANGE DIMENSIONS LONGER OR SHORTER WITHOUT PRIOR NOTICE.	DRAFT	1998-02-17	M. Freit	CAT. No. HM2P08PDT1G1- - - -	
	CHECKED			www.fciconnect.com	
	PROD. MGR.				
	PR. ENG. MGR.				
ALL DIMENSIONS IN MM	PR. MGT MGR.			SCALE	

BS.C. 201843.454	D
DRAWING No.	CUSTOMER DRAWING
	REVISION

EUROPEAN PRO

THIS IS OUR EXCLUSIVE PROPERTY. IT IS NOT TO BE COPIED, REPRODUCED OR DISCLOSED TO A THIRD PARTY, NOR USED FOR MANUFACTURING WITHOUT OUR WRITTEN CONSENT, AND HAS TO BE RETURNED TO US IN CASE OF NO USAGE.
 DIT IS ONZE EXCLUSIEF EGENSCHAP. HET IS NIET TOEGestaan om te kopiëren, te verspreiden of openbaar te maken. Het mag NIET worden gebruikt voor productie zonder onze schriftelijke toestemming, en het moet worden teruggegeven indien het niet gebruikt is toegestaan.