

## Excellent Integrated System Limited

Stocking Distributor

Click to view price, real time Inventory, Delivery & Lifecycle Information:

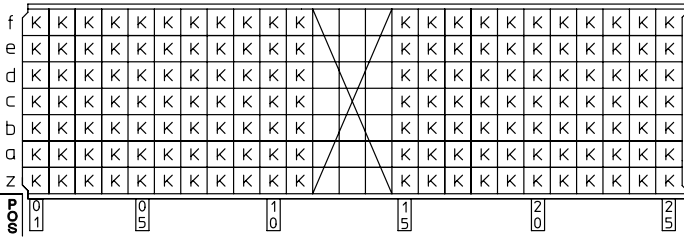
[FCI](#)  
[HM2P07PNJ1U4GF](#)

For any questions, you can email us directly:  
[sales@integrated-circuit.com](mailto:sales@integrated-circuit.com)

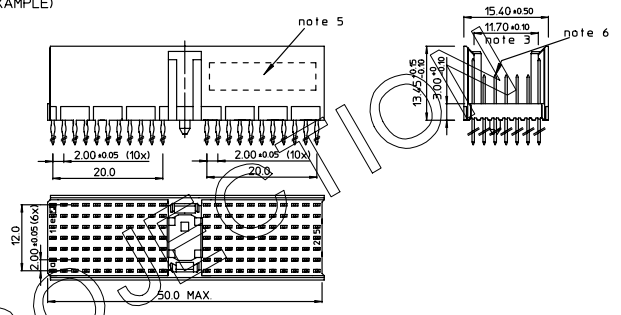
BS.C ,202788,214	D	GEN. ST.	01	02	03	04	05	06	07	08	0D	50	60	70	80	90	REV.	DATE	DESCRIPTION	BY	C 'K' D'															
		INT. ST.	10	11	12	13	14	18	20	31	32	33	34	38	39	40	42	43	44	45	46	48	56	70	72	73	75	76	81	82	83	84	86	A	2002-05-22	B2107

B	2002-05-29	EC B20086	IF	
C	2005-11-17	105-0236	ALEX B	BIP
D	2006-08-11	106-0146	VIVEK	BIP

LOADING PATTERN MATING SIDE

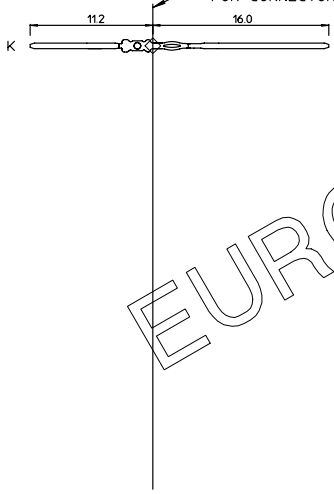


LOADED CONNECTOR ASSEMBLY  
(FOR EXAMPLE)

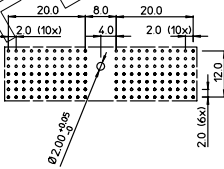


CONTACT OVERVIEW

SEATING PLANE FOR CONNECTOR



LAY-OUT P.C.B.-HOLE



LEAD FREE INDICATOR : LF = LEAD FREE (DIGIT 15 & 16)

HM2P07PNJ1U4

PLATING CODE (DIGIT 13 AND 14)  
(REF DWG No. BS.C ,201844,003)

NOTES:

1. THIS PRODUCT IS CSA APPROVED.
2. THIS PRODUCT IS UL RECOGNIZED.
3. MEASURED AT THE BOTTOM
4. MATERIAL CONTACT: PHOSPHORBRONZE  
HOUSING: CREAM WHITE GLASSFILLED POLYESTER UL-94V0
5. CONNECTOR PRINTED WITH P/N AND DATE CODE.
6. FOR ACTUAL CONTACT LOADINGS, SEE LOADING PATTERN MATING SIDE.
7. SHAPE OF CONNECTOR HOUSING CAN ALTER DEPENDING ON PRODUCTION LOCATION.
8. THE PRODUCT (LF) MEETS EUROPEAN UNION DIRECTIVES AND OTHER COUNTRY REGULATIONS AS DESCRIBED IN GS-22-008
9. FOR RECOMMENDED PTH DIMENSIONS REFER DRAWING : BS.A ,201572,001

THIS IS OUR EXCLUSIVE PROPERTY. IT IS NOT TO BE COPIED, REPRINTED OR DISCLOSED TO A THIRD PARTY, nor used for manufacturing without our written consent, and has to be returned to us in case of no usage

DIT IS ONZE EIGENDOM EN NIET NAARWAAKT, HERDRUKT, OVERDRAAGT AAN DERDE, NIET VOOR FABRICATIE GEBRUIKT WORDEN, ZONDER ONZE SCHRIFTELIJKE TOELATING. BIJ NIET GEBRUIK IS TERUGZENDING VERPLICHT.

1DEC +0.2	APPR.	DATE	SIGN.	MPACS 5+2R STR HDR CONN TYPE A
2DEC +0.1	DRAFT	2002-05-21	M.Fr.e1	CAT. No. HM2P07PNJ1U4---
ANGLES ±1°	CHECKED			SCALE
WE RESERVE THE RIGHT TO CHANGE DIMENSIONS ON REGULIMENTS WITHOUT PRIOR NOTICE.	PROD. MGR			<b>FCJ</b> www.fcjconnect.com
	PR. ENG MGR			
ALL DIMENSIONS IN MM	PR. MGT MGR			BS.C ,202788,214
	REFERENCES			D
				DRAWING No. CUSTOMER DRAWING REVISION