

Excellent Integrated System Limited

Stocking Distributor

Click to view price, real time Inventory, Delivery & Lifecycle Information:

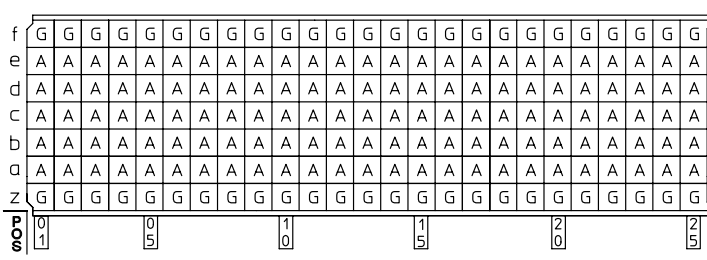
[FCI](#)
[HM2P08PKE128GFLF](#)

For any questions, you can email us directly:
sales@integrated-circuit.com

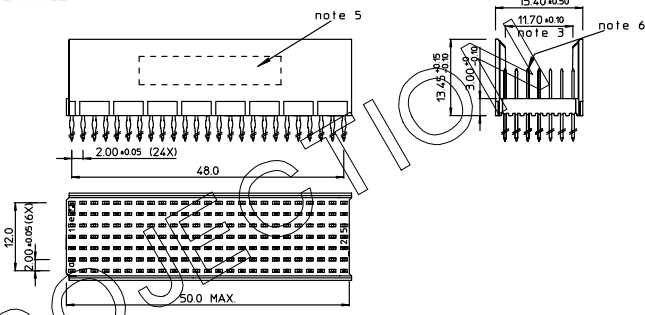
BS.C.202788.104	D	GEN. ST.	01	02	03	04	05	06	07	08	0D	50	60	70	80	90																	
		INT. ST.	10	11	12	13	14	18	20	31	32	33	34	38	39	40	42	43	44	45	46	48	56	70	72	73	75	76	81	82	83	84	88

REV	DATE	DESCRIPTION	BY	C'K'D'
A	2001-09-14	CONVERSION REVISION 01	KN	
B	2002-05-28	EC 82088A	PF	
C	2005-10-20	105-0201	VIVEK	BKP
D	2006-08-10	106-9145	ALEX B	BKP

LOADING PATTERN MATING SIDE



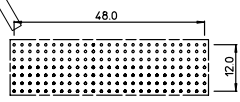
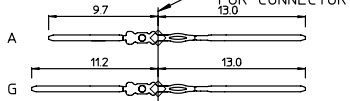
LOADED CONNECTOR ASSEMBLY (FOR EXAMPLE)



CONTACT OVERVIEW

SEATING PLANE FOR CONNECTOR

LAY-OUT P.C.B.-HOLE



HM2P08PKE128 LEAD FREE INDICATOR : LF = LEAD FREE (DIGIT 15 & 16)
 PLATING CODE (DIGIT 13 AND 14) (REF DWG No. BS.A.201844.003)

- NOTES:
- THIS PRODUCT IS CSA APPROVED.
 - THIS PRODUCT IS UL RECOGNIZED.
 - MEASURED AT THE BOTTOM.
 - MATERIAL CONTACT: PHOSPHORBRONZE
HOUSING: CREAM WHITE GLASSFILLED POLYESTER UL-94V0
 - CONNECTOR PRINTED WITH P/N AND DATE CODE.
 - FOR ACTUAL CONTACT LOADINGS, SEE LOADING PATTERN MATING SIDE.
 - SHAPE OF CONNECTOR HOUSING CAN ALTER DEPENDING ON PRODUCTION LOCATION.
 - THE PRODUCT (LF) MEETS EUROPEAN UNION DIRECTIVES AND OTHER COUNTRY REGULATIONS AS DESCRIBED IN GS-22-008
 - FOR RECOMMENDED PTH DIMENSIONS REFER DRAWING : BS.A.201572.001

EUROPEAN PROTECTED

1DEC ±0.2 2DEC ±0.1 ANGLES ±1°	APPR. DRAFT CHECKED	DATE 2001-04-03 M.Fre	SIGN.	MPACS 5+2R STR HDR SG PF CONN TYPE B CAT. No. HM2P08PKE128----	SCALE
WE RESERVE THE RIGHT TO CHANGE DIMENS (ONS) OR REGR/REMENTS WITHOUT PRIOR NOTICE. ALL DIMENSIONS IN MM	PROD. MGR PR. ENG. MGR PR. MGT. MGR			www.fciconnect.com	

REFERENCES

BS.C.202788.104 D
 PDM: Rev:D STATUS: Released CUSTOMER DRAWING REVISION

THIS IS OUR EXCLUSIVE PROPERTY. IT IS NOT TO BE COPIED, REPRINTED OR DISCLOSED TO A THIRD PARTY. NOT USED FOR MANUFACTURING WITHOUT OUR WRITTEN CONSENT, AND HAS TO BE RETURNED TO US IN CASE OF NO USAGE
 DIT IS ONZE EIGENDOM EN MAG NIET WERDEN AFGEKOPIEERD, OVERGEDRUKT, OVERGEGEVEN OF TOEGELIJKT. NIET VOOR FABRICATIE GEBRUIKT WORDEN, ZONDER ONZE SCHRIFTELIJKE TOELATING. DIT NIET GEBRUIK IS TERUGGEGEVEN WORDEN.