

## Excellent Integrated System Limited

Stocking Distributor

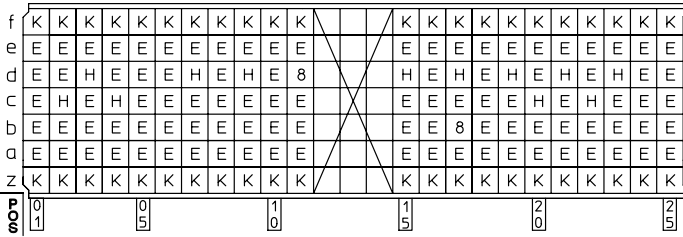
Click to view price, real time Inventory, Delivery & Lifecycle Information:

[FCI](#)  
[HM2P07PMF2R4GF](#)

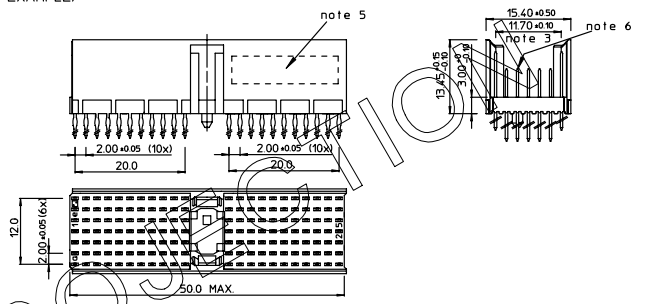
For any questions, you can email us directly:  
[sales@integrated-circuit.com](mailto:sales@integrated-circuit.com)

BS,C ,201843,753	D	GEN. ST.	01	02	03	04	05	06	07	08	0D	50	60	70	80	90	REV.	DATE	DESCRIPTION	BY	C'K'D'														
		INT. ST.	10	11	12	13	14	18	20	31	32	33	34	38	39	40	42	43	44	45	46	48	56	70	72	73	76	81	82	83	84	88	A	2001-09-14	CONVERSION REVISION 02
																		B	2002-05-28	EC R20086	MF														
																		C	2005-11-04	105-0212	ALEX B	BKP													
																		D	2006-07-28	106-0112	VIVEK	BKP													

**LOADING PATTERN MATING SIDE**

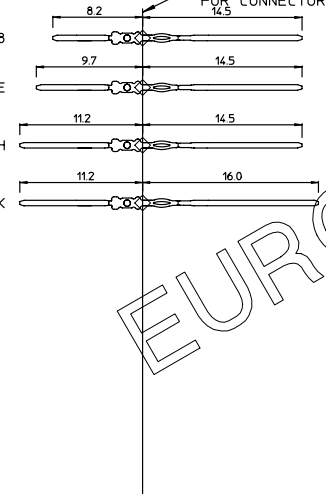


**LOADED CONNECTOR ASSEMBLY (FOR EXAMPLE)**

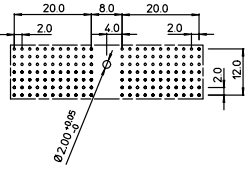


SHEET NR. : 843

**CONTACT OVERVIEW**



**LAY-OUT P.C.B. -HOLE**



**LEAD FREE INDICATOR : LF = LEAD FREE (DIGIT 15 & 16)**  
**HM2P07PMF2R4**  
**PLATING CODE (DIGIT 13 AND 14) (REF DWG No. BS,C ,201844,003)**

- NOTES:**
1. THIS PRODUCT IS CSA APPROVED.
  2. THIS PRODUCT IS UL RECOGNIZED.
  3. MEASURED AT THE BOTTOM.
  4. MATERIAL CONTACT: PHOSPHORBRONZE  
HOUSING: CREAM WHITE GLASSFILLED POLYESTER UL-94V0
  5. CONNECTOR PRINTED WITH P/N AND DATE CODE.
  6. FOR ACTUAL CONTACT LOADINGS, SEE LOADING PATTERN MATING SIDE.
  7. SHAPE OF CONNECTOR HOUSING CAN ALTER DEPENDING ON PRODUCTION LOCATION.
  8. THE PRODUCT (LF) MEETS EUROPEAN UNION DIRECTIVES AND OTHER COUNTRY REGULATIONS AS DESCRIBED IN GS-22-008
  9. FOR RECOMMENDED PTH DIMENSIONS REFER DRAWING : BS,A ,201572,001

1DEC ±0,2 2DEC ±0,1 ANGLES ±1°	<b>APPR.</b> DRAFT CHECKED	<b>DATE</b> 1999-05-21	<b>SIGN.</b> M.Fret	<b>LOADING PATTERN OVERVIEW</b>	<b>CAT. No.</b> HM2P07PMF2R4----	<b>SCALE</b>
WE RESERVE THE RIGHT TO CHANGE DIMENSIONS OR REPRESENTS WITHOUT PRIOR NOTICE.	PROD. MGR. PR. ENG. MGR. PR. MGT. MGR.			<b>FCI</b> www.fciconnect.com		
ALL DIMENSIONS IN MM	<b>REFERENCES</b>			BS,C ,201843,753	D	
				DRAWING No. CUSTOMER DRAWING	REVISION	

THIS IS OUR EXCLUSIVE PROPERTY. IT IS NOT TO BE COPIED, REPRINTED OR DISCLOSED TO A THIRD PARTY. USE ONLY FOR MANUFACTURING WITHOUT OUR WRITTEN CONSENT, AND HAS TO BE RETURNED TO US IN CASE OF NO USAGE.  
 DIT IS ONZE EIGENDOM EN MAG NIET NAEMAKEN, HERDRUKEN, OVERGEMAKT AM GEVENEN, NOCH VOOR FABRICATIE GEBRUIKT WORDEN, ZONDER ONZE SCHRIFTELIJKE TOELATING. BIJ NIET GEBRUIK IS TERUGGEGEVEN TERUGLIEP.