

Excellent Integrated System Limited

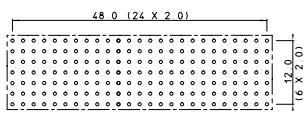
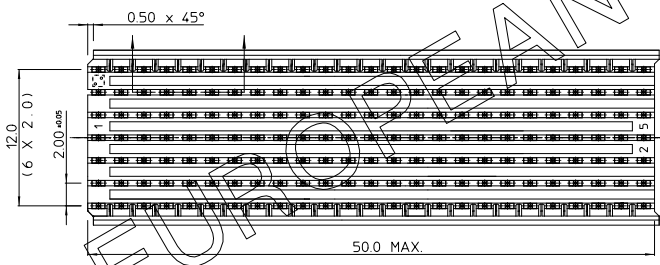
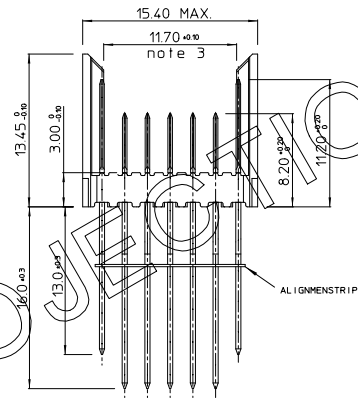
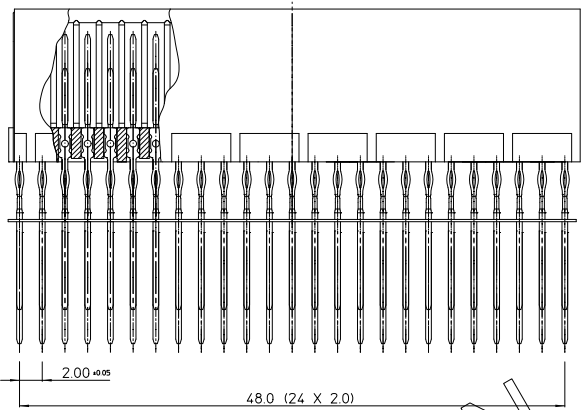
Stocking Distributor

Click to view price, real time Inventory, Delivery & Lifecycle Information:

[FCI](#)
[HM2P08PNJ1E5GL](#)

For any questions, you can email us directly:
sales@integrated-circuit.com

BS,C,201632,016	A	GEN. ST.	01	02	03	04	05	06	07	08	09	10	11	12	13	14	15	16	17	18	19	20	21	22	23	24	25	26	27	28	29	30	31	32	33	34	35	36	37	38	39	40	41	42	43	44	45	46	47	48	49	50	51	52	53	54	55	56	57	58	59	60	61	62	63	64	65	66	67	68	69	70	71	72	73	74	75	76	77	78	79	80	81	82	83	84	85	86	87	88	89	90	91	92	93	94	95	96	97	98	99	100	REV.	DATE	DESCRIPTION	BY	C'K'D'
		INT. ST.	10	11	12	13	14	15	16	17	18	19	20	21	22	23	24	25	26	27	28	29	30	31	32	33	34	35	36	37	38	39	40	41	42	43	44	45	46	47	48	49	50	51	52	53	54	55	56	57	58	59	60	61	62	63	64	65	66	67	68	69	70	71	72	73	74	75	76	77	78	79	80	81	82	83	84	85	86	87	88	89	90	91	92	93	94	95	96	97	98	99	100	A	14-09-01	CONVERSION REVISION 03	KN										



PERFORMANCE CHARACTERISTICS

CURRENT RATING : 1,5 A AT 20°C (FULLY LOADED)
 CURRENT RATING : 1 A AT 70°C (FULLY LOADED)
 RATED VOLTAGE : 500 V AC (CONT / CONT)
 OPERATING TEMPERATURE : -55°C TO 125°C
 CONTACT RESISTANCE : 20 mΩ MAX
 INSERTION FORCE : 0.75 N MAX / CONT
 EXTRACTION FORCE : 0.15 N MIN / CONT
 INSULATION RESISTANCE : 10¹⁰ MΩ MIN

NOTES

1. "-" PERFORMANCE LEVEL INDICATION: Z1= PL3 (SHORT) GC= PL3 (REAR PLUG-UP)
 (SEE CAT. NR.) N9= PL2 GF= PL2
 E9= PL1 GL= PL1
2. THIS PRODUCT IS CSA APPROVED.
 THIS PRODUCT IS UL RECOGNIZED.
3. MEASURED AT THE BOTTOM.

MALE SIGNAL STRAIGHT PRESS-FIT-TO-BOARD CONNECTOR			
WITHOUT SERVICECENTER			
1DEC +0.2 1DEC 2DEC +0.1 2DEC ANGLES ±1° HOEKEN	APPR. DRAFT CHECKED	DATE 17-11-95 W.Panis	SIGN. MILLIPACS 2 / TYPE B / SHIELDED CAT. No. HM2P08PNJ1E5--
WE RESERVE THE RIGHT TO CHANGE DIMENSIONS OR REQUIREMENTS WITHOUT PRIOR NOTICE.	PROD. MGR PR. ENG. MGR PR. MGT. MGR		SCALE 3/1
ALL DIMENSIONS IN MM	REFERENCES / REFERENTIES		FCI FCI MECHELEN N.V. A. SPINDIJSTRAAT 8, 2800 MECHELEN
ALLE AFMETINGEN IN MM	DRAWING No. BS,C,201632,016		A
	CUSTOMER DRAWING		REVISION

THIS IS OUR EXCLUSIVE PROPERTY. IT IS NOT TO BE COPIED, REPRINTED OR DISCLOSED TO A THIRD PARTY, NOR USED FOR MANUFACTURING WITHOUT OUR WRITTEN CONSENT, AND HAS TO BE RETURNED TO US IN CASE OF NO USAGE.
 DIT IS ONZE EIGENDOM EN MAG NIET NAGEMAAKT, HERDRIKT, OVERGEMAKT AAN DEREN, NIET VOOR FABRIKATIE GEBRUIKT WORDEN, ZONDER ONZE SCHRIFTELIJKE TOELATING. BIJ NIET GEBRUIK IS TERUGGEGANGEN VERPLICHT.