

Excellent Integrated System Limited

Stocking Distributor

Click to view price, real time Inventory, Delivery & Lifecycle Information:

[FCI](#)
[95635-200CALF](#)

For any questions, you can email us directly:
sales@integrated-circuit.com



1 | 2

FCIconnect.com

3 |

4

PRODUCT NO. 95635-XXXXX	PUSH-ROD LOCATION		STAND-OFF HEIGHT DIM "L"	DIM "P"	DOUBLE DECK HEADER 92821-XXX	Ⓑ CLOSEST TO PCB EJECT MECHANISM 88644-XXXX	Ⓒ FARTHEST FROM PCB EJECT MECHANISM 94307-XXXX	MOUNTING STYLE TO PCB AND PUSH-ROD SIDE
	DECK CLOSEST TO PCB	DECK FARTHEST FROM PCB						
000CA	LEFT	RIGHT	0.0	2.8	92821-000	10CA	00CA	
020CA	LEFT	RIGHT	2.0	2.5	92821-040	12CA	00CA	
050CA	LEFT	RIGHT	5.0	2.8	57956-050	15CA	00CA	
100CA	RIGHT	LEFT	0.0	2.8	92821-000	00CA	10CA	
120CA	RIGHT	LEFT	2.0	2.5	92821-040	02CA	10CA	
150CA	RIGHT	LEFT	5.0	2.8	57956-050	05CA	10CA	
200CA	RIGHT	RIGHT	0.0	2.8	92821-000	00CA	00CA	
220CA	RIGHT	RIGHT	2.0	2.5	92821-040	02CA	00CA	
250CA	RIGHT	RIGHT	5.0	2.8	57956-050	05CA	00CA	
300CA	LEFT	LEFT	0.0	2.8	92821-000	10CA	10CA	
320CA	LEFT	LEFT	2.0	2.5	92821-040	12CA	10CA	
350CA	LEFT	LEFT	5.0	2.8	57956-050	15CA	10CA	
000CALF	LEFT	RIGHT	0.0	2.8	92821-000LF	10CA	00CA	
020CALF	LEFT	RIGHT	2.0	2.5	92821-040LF	12CA	00CA	
050CALF	LEFT	RIGHT	5.0	2.8	57956-050LF	15CA	00CA	
100CALF	RIGHT	LEFT	0.0	2.8	92821-000LF	00CA	10CA	
120CALF	RIGHT	LEFT	2.0	2.5	92821-040LF	02CA	10CA	
150CALF	RIGHT	LEFT	5.0	2.8	57956-050LF	05CA	10CA	
200CALF	RIGHT	RIGHT	0.0	2.8	92821-000LF	00CA	00CA	
220CALF	RIGHT	RIGHT	2.0	2.5	92821-040LF	02CA	00CA	
250CALF	RIGHT	RIGHT	5.0	2.8	57956-050LF	05CA	00CA	
300CALF	LEFT	LEFT	0.0	2.8	92821-000LF	10CA	10CA	
320CALF	LEFT	LEFT	2.0	2.5	92821-040LF	12CA	10CA	
350CALF	LEFT	LEFT	5.0	2.8	57956-050LF	15CA	10CA	

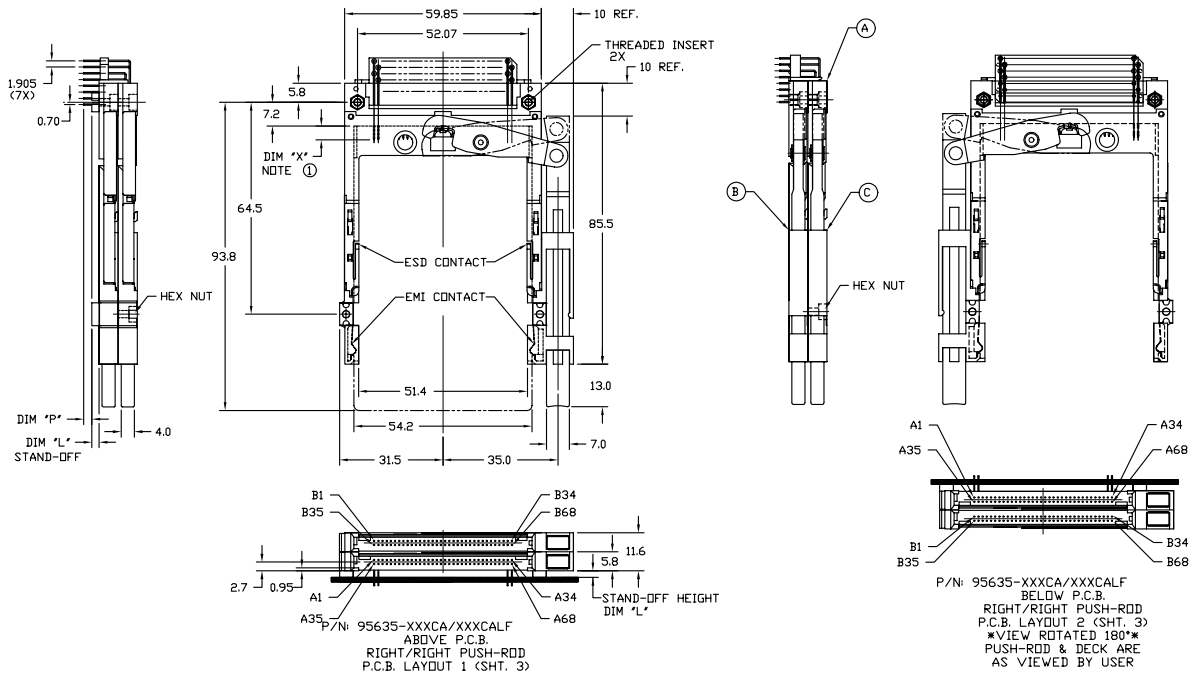
mat'l. code		surface		tolerance		projection		product family	
		ISO 1302		ISO 406 ISO1101				PCMCIA	
tr ecn nchr date		tolerances unless otherwise specified		MM		title		DOUBLE-DECK HEADER EJECT ASSY	
D	V61383	RDS	9/16/96	0.X±0.3		scale 1:1		FCI	
E	V11670	RGD	6/6/01	0.XX±0.13		dwg no		sheet 1 of 4	
F	V20419	LP	3/25/02	0.XXX±0.051		95635		A4	
G	N05-0052	WB	02/25/05	dir	D.SHEAFFER	9/16/96		type Product Customer Drawing	
H	N05-0077	WB	03/17/05	engr	D.BRANN	9/16/96			
J	BX-N-007940	ZK	10/25/11	chr	D.BRANN	9/16/96			
K	BX-N-01143	ZK	04/12/12	appd	D.BRANN	9/16/96			
sheet	revision	k	k	k					
index	sheet	1	2	3	4				



PRODUCT NO. 95635-XXXX	PUSH-ROD DECK CLOSEST TO PCB	LOCATION DECK FARTHEST FROM PCB	STAND-OFF HEIGHT DIM "L"	DIM "P"	DOUBLE-DECK HEADER 92821-XXX	ⓐ CLOSEST TO PCB EJECT MECHANISM 88644-XXXX	ⓑ FARTHEST FROM PCB EJECT MECHANISM 94307-XXXX	MOUNTING STYLE TO PCB AND PUSH-ROD SIDE
500CA	RIGHT	LEFT	0.0	2.8	92821-500	10CA	00CA	
520CA	RIGHT	LEFT	2.0	2.5	92821-540	12CA	00CA	
550CA	RIGHT	LEFT	5.0	2.8	57956-550	15CA	00CA	
600CA	LEFT	RIGHT	0.0	2.8	92821-500	00CA	10CA	
620CA	LEFT	RIGHT	2.0	2.5	92821-540	02CA	10CA	
650CA	LEFT	RIGHT	5.0	2.8	57956-550	05CA	10CA	
700CA	RIGHT	RIGHT	0.0	2.8	92821-500	10CA	10CA	
700CP	RIGHT	RIGHT	0.0	2.8	92821-500	10CP	10CP	
720CA	RIGHT	RIGHT	2.0	2.5	92821-540	12CA	10CA	
750CA	RIGHT	RIGHT	5.0	2.8	57956-550	15CA	10CA	
800CA	LEFT	LEFT	0.0	2.8	92821-500	00CA	00CA	
820CA	LEFT	LEFT	2.0	2.5	92821-540	02CA	00CA	
850CA	LEFT	LEFT	5.0	2.8	57956-550	05CA	00CA	
500CALF	RIGHT	LEFT	0.0	2.8	92821-500LF	10CA	00CA	
520CALF	RIGHT	LEFT	2.0	2.5	92821-540LF	12CA	00CA	
550CALF	RIGHT	LEFT	5.0	2.8	57956-550LF	15CA	00CA	
600CALF	LEFT	RIGHT	0.0	2.8	92821-500LF	00CA	10CA	
620CALF	LEFT	RIGHT	2.0	2.5	92821-540LF	02CA	10CA	
650CALF	LEFT	RIGHT	5.0	2.8	57956-550LF	05CA	10CA	
700CALF	RIGHT	RIGHT	0.0	2.8	92821-500LF	10CA	10CA	
700CPLF	RIGHT	RIGHT	0.0	2.8	92821-500LF	10CP	10CP	
720CALF	RIGHT	RIGHT	2.0	2.5	92821-540LF	12CA	10CA	
750CALF	RIGHT	RIGHT	5.0	2.8	57956-550LF	15CA	10CA	
800CALF	LEFT	LEFT	0.0	2.8	92821-500LF	00CA	00CA	
820CALF	LEFT	LEFT	2.0	2.5	92821-540LF	02CA	00CA	
850CALF	LEFT	LEFT	5.0	2.8	57956-550LF	05CA	00CA	

NOTES (CONTINUOUS ON SHEET 3):
 1 EJECT FORCE: 3.5kg MAX.
 2 EJECT TRAVEL: 80mm
 3 MATERIAL:
 HOUSING: HIGH TEMPERATURE THERMOPLASTIC UL94V-0 BLACK
 TERMINAL: COPPER ALLOY
 COVER: STAINLESS STEEL
 4 FINISH - PIN
 UNDER PLATING: 1.27µm MIN. Ni
 CONTACT AREA: 0.076 µm MIN. GOLD
 SOLDER TAIL (TIN LEAD OPTION): 2.5µm MIN Sn-Pb
 SOLDER TAIL (LEAD FREE OPTION): 2.5µm MIN PURE TIN

mat'l. code	surface	tolerance	projection	product family
	ISO 1302 ✓	ISO 406 ISO 1101		PCMCIA
ltr ecn nchr date	tolerances unless otherwise specified			title
k	angles	0.X±0.3	MM	DOUBLE-DECK
	0°±2'	0.XX±0.13	scale 1:1	HEADER EJECT ASSY
	dr	D.SHEAFFER 9/16/96		dwg no
	enr	D.BRANN 9/16/96		sheet 2 of 4
	chr	D.BRANN 9/16/96		size
	appd	D.BRANN 9/16/96		A4
sheet index	revision sheet			type Product Customer Drawing



NOTES (CONTINUOUS FROM SHEET 2):

DIM "X"	DIM "X"		
	4.25±0.1	3.5±0.1	5.0±0.1
PIN NUMBER	OTHERS	36,67	1,17,34,35,51,68

- RECOMMENDED HOLD DOWN - 2mm SCREWS (95121)
 RECOMMENDED SCREW TORQUE: 1.0 TO 1.5 MAX. IN-IBS. (1.7-1.7 CM-KG)
- IF LEAD FREE P/N, THE HOUSING WILL WITHSTAND EXPOSURE TO 260°C PEAK TEMPERATURE FOR 10 SECONDS IN A WAVE SOLDER APPLICATION WITH A 1.00MM MINIMUM THICK CIRCUIT BOARD.
- LEAD FREE PRODUCT MEETS EUROPEAN UNION DIRECTIVES AND OTHER COUNTRY REGULATIONS AS DESCRIBED IN GS-22-008
- IF LEAD FREE P/N, PACKAGING MEETS GS-14-920 SPECIFICATION
- PRODUCT SPEC: 110-263

mat'l. code	surface	tolerance	projection	product family
	ISO 1302	ISO 406	ISO 1101	PCMCIA
tr	ec	nd	date	tolerances unless otherwise specified
k				0.X±0.3
				0.XX±0.13
				0.XXX±0.051
				scale 1:1
dr	D.SHEAFFER	9/16/96		DOUBLE-DECK
enr	D.BRANN	9/16/96		HEADER EJECT ASSY
chr	D.BRANN	9/16/96		dwg no
app	D.BRANN	9/16/96		95635
sheet	revision			type
index	sheet			Product Customer Drawing

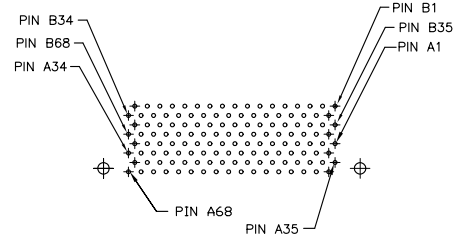
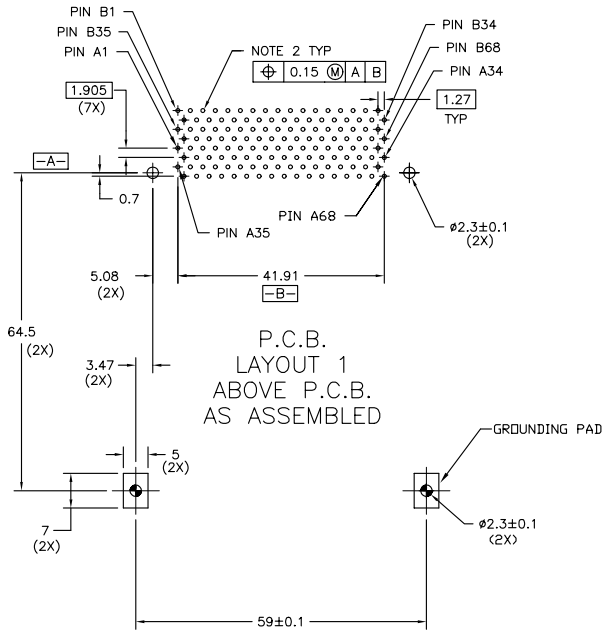


1 | 2

FCIconnect.com

3

4



NOTES:

1. ALL TOLERANCES ±0.15 UNLESS NOTED.
2. RECOMMENDED DIAMETER IS Ø1.0 FOR PROCESSES USING PASTE REFLOW. HOLE MAY BE AS SMALL AS Ø0.79
3. BOARD VIEW FROM CONNECTOR MOUNTED SIDE TOP OF BOARD IN APPLICATION

mat'l. code	surface	tolerance	projection	product family
	ISO 1302	ISO 406 ISO 1101		PCMCIA
tr ecdn ncdar date	tolerances unless otherwise specified		MM	DOUBLE-DECK HEADER EJECT ASSY
k	angles	0.X±0.3	scale 1:1	dwg no 95635
	0°±2'	0.XXX±0.051		sheet 4 of 4
	dr D.SHEAFFER 9/16/96			size A4
	enr D.BRANN 9/16/96			type Product Customer Drawing
	chr D.BRANN 9/16/96			
	appd D.BRANN 9/16/96			
sheet index	revision sheet			