

Excellent Integrated System Limited

Stocking Distributor

Click to view price, real time Inventory, Delivery & Lifecycle Information:

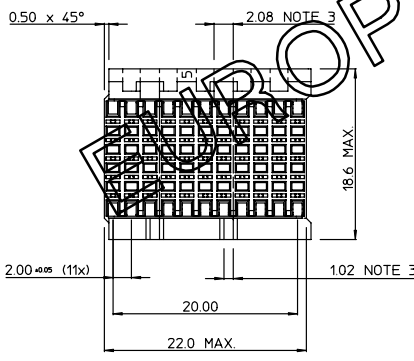
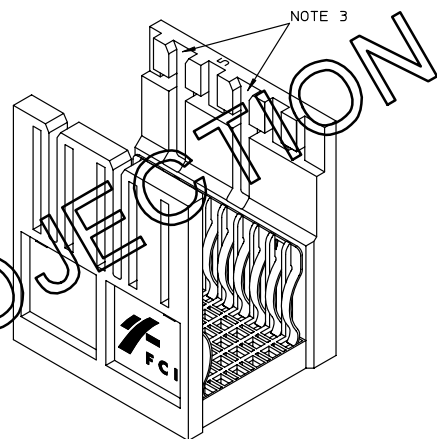
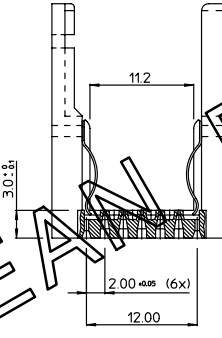
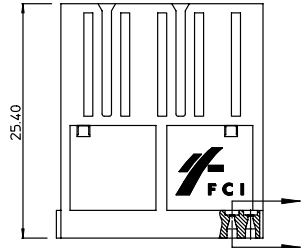
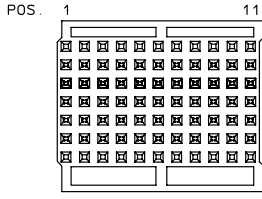
[FCI](#)
[HM2K00P16](#)

For any questions, you can email us directly:
sales@integrated-circuit.com

BS,C , 201995,005

GEN. ST.	01	02	03	04	05	06	07	08	0D	50	60	70	80	90																	
INT. ST.	10	11	12	13	14	18	20	31	32	33	34	38	39	40	42	43	44	45	46	48	56	70	72	73	75	76	81	82	83	84	88

REV.	DATE	DESCRIPTION	BY	C'K'D'
A	2003-01-21	CONVERSION REVISION OF	TON	
B	2006-08-03	106-0119	TIVEX	BKP



PART NR.	KEYED SLOT POS.
HM2K00P16	NO KEYED SLOTS
HM2K31P16	3 & 7

- NOTES :
- MATERIAL : HOUSING : GLASSREINFORCED POLYESTER UL94-V0
SPRING CONTACTS : COPPER ALLOY
 - PLATING : 2.5 - 6.4 μ SnPb (90/10) OVER 1.2 - 3.8 μ Ni.
 - LOCATIONS OF SLOTS SEE TABLE ABOVE. AS EXAMPLE THE SHROUD TYPE HM2K31P16 IS DRAWN WITH DISCRIMINATION - POLARISATION SLOTS IN POSITIONS 3 AND 7.

1DEC ±0,2 2DEC ±0,1 ANGLES ±1°	APPR. DRAFT CHECKED	DATE 1995-09-07	SIGN. G.Droesbeke	MRV SHROUDS 22 MM FOR SCHLUMBERGER / SHIELDED
WE RESERVE THE RIGHT TO CHANGE DIMENSIONS OR REQUIREMENTS WITHOUT PRIOR NOTICE.	PROD MGR PR ENG MGR PR MGT MGR			CAT. No. HM2K--P16
ALL DIMENSIONS IN MM	REFERENCES		FCI www.fciconnect.com	SCALE 2.5/1
			BS,C , 201995,005	B
			DRAWING No. CUSTOMER DRAWING	REVISION

THIS IS OUR EXCLUSIVE PROPERTY. IT IS NOT TO BE COPIED, REPRINTED OR DISCLOSED TO A THIRD PARTY, AND USED FOR MANUFACTURING WITHOUT OUR WRITTEN CONSENT, AND HAS TO BE RETURNED TO US IN CASE OF NO USAGE.

DIT IS ONZE EIGENDOM EN MAG NIET WERD KOPIEERD, OVERGEDRUKT OF AAN DERDE PARTIJEN TOEGELIJD. DIT MOET NIET VOOR FABRICATIE GEBRUIKT WORDEN, ENZIGER ONZE SCHRIFTELIJKE TOELATING. BIJ NIET GEBRUIK IS TERUGZENDING VERPLICHT.