

Excellent Integrated System Limited

Stocking Distributor

Click to view price, real time Inventory, Delivery & Lifecycle Information:

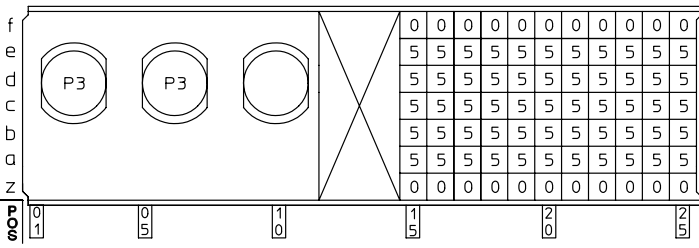
[FCI](#)
[HM2A31PG60J0L9LF](#)

For any questions, you can email us directly:
sales@integrated-circuit.com

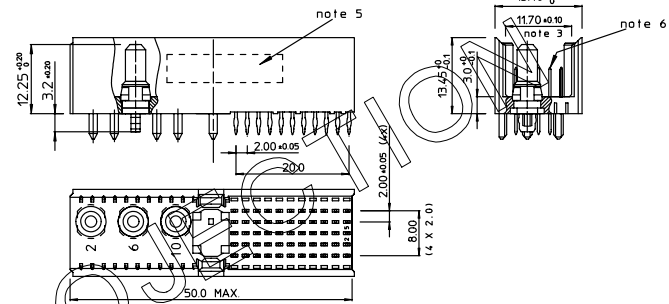
BS.C , 202498, 010

D	GEN. ST.	01	02	03	04	05	06	07	08	0D	50	60	70	80	90	REV	DATE	DESCRIPTION	BY	C'K'D'	
	INT. ST.	10	11	12	13	14	18	20	31	32	33	34	38	39	40	42	A	2001-09-14	CONVERSION REVISION 02	IN	
																	B	2002-02-12	EC 820930	MF	
																	C	2005-11-10	105-0229	ALEX B	SKP
																	D	2006-08-08	106-0144	VIVEK	SKP

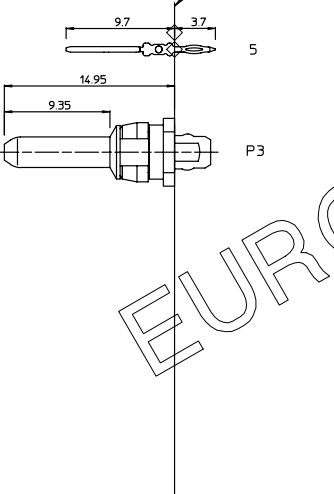
LOADING PATTERN MATING SIDE



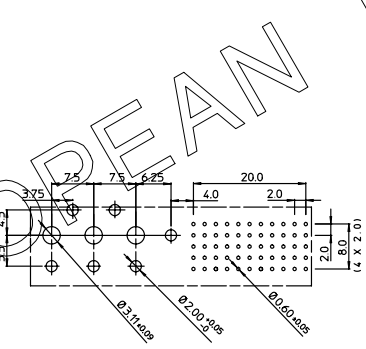
LOADED CONNECTOR ASSEMBLY (FOR EXAMPLE)



CONTACT OVERVIEW



LAY-OUT P.C.B.-HOLE



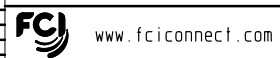
PLATING
 -POWER CONTACTS --'--LC--' : 0.8 μm Au over 2.0 μm Ni (OPTIONAL)
 All Others : 1.5 μm Au over 2.0 μm Ni
 LEAD FREE INDICATOR : LF-LEAD FREE (DIGIT 17 & 18)
 -SIGN. CONT. -> HM2A31PG60J0--C5
 PLATING CODE (DIGIT 13 AND 14)
 (REF DRW No BS.C , 2018444,003)

NOTES

- THIS PRODUCT IS CSA APPROVED.
- THIS PRODUCT IS UL RECOGNIZED.
- MEASURED AT THE BOTTOM.
- MATERIAL CONTACT: PHOSPHORBRONZE
HOUSING: CREAM WHITE GLASFILLED
POLYESTER UL-94V0
- CONNECTOR PRINTED WITH P/N AND DATE CODE.
- FOR ACTUAL CONTACT LOADINGS, SEE LOADING PATTERN MATING SIDE.
- THE PRODUCT (LF) MEETS EUROPEAN UNION DIRECTIVES AND OTHER COUNTRY REGULATIONS AS DESCRIBED IN GS-22-008
- PCB HOLE DEFINITION
8.1 FOR PTH DETAILS OF SIGNAL CONTACTS REFER BS.A , 201572.001
8.2 FOR PTH DETAILS OF POWER CONTACTS

∅ drilled hole	Cu plating	SnPb/Sn plating	∅ finished hole
3.19 - 3.25	25 μm min.	5 μm min.	3.02 - 3.20

1DEC ±0.2 2DEC ±0.1 ANGLES ±1°	APPR. DRAFT CHECKED	DATE 2000-05-19	SIGN. h.Frel	MPACS 5R STR HDR CONN TYPE M
WE RESERVE THE RIGHT TO CHANGE DIMENSIONS OR REQUIREMENTS WITHOUT PRIOR NOTICE.	PROD. MGR PR. ENG. MGR PR. MGT. MGR			CAT. No. HM2A31PG60J0-----
ALL DIMENSIONS IN MM				SCALE



BS.C , 202498, 010 D
 DRAWING No. CUSTOMER DRAWING REVISION
 STATUS: Released Printed: Dec 03, 2007

THIS IS OUR EXCLUSIVE PROPERTY. IT IS NOT TO BE COPIED, REPRINTED OR DISCLOSED TO A THIRD PARTY. NOT USED FOR MANUFACTURING WITHOUT OUR WRITTEN CONSENT, AND HAS TO BE RETURNED TO US IN CASE OF NO USAGE.
 DIT IS ONZE EIGENDOM EN NIET MOET WORDEN OVERNOMMEN, HERHAARD, OVERNOMMEN, AAN DERDEN, NOCH VOOR FABRICATIE GEBRUIKT WORDEN, ZONDER ONZE SCHRIFTELIJKE TOELATING. DIT NIET GEBRUIK IS TERUGZENDING VOORLOF.