

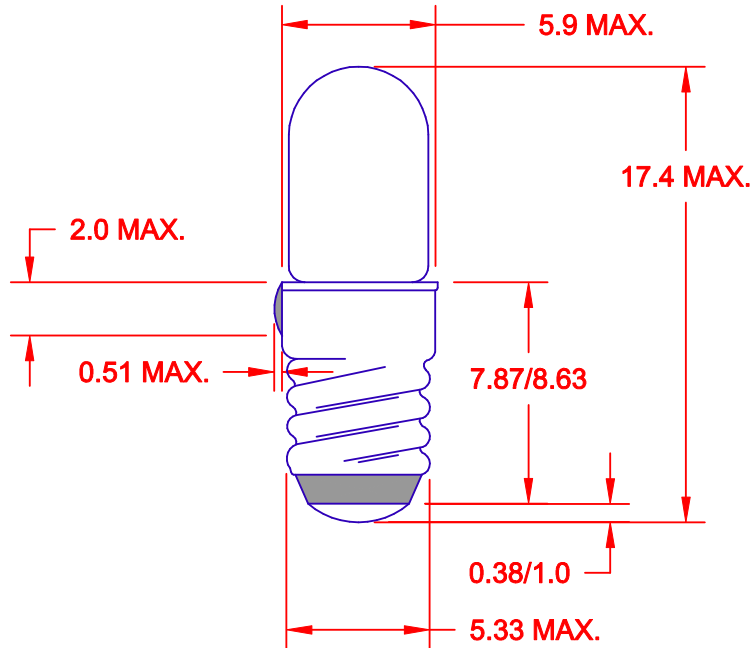
## **Excellent Integrated System Limited**

Stocking Distributor

Click to view price, real time Inventory, Delivery & Lifecycle Information:

For any questions, you can email us directly:

[sales@integrated-circuit.com](mailto:sales@integrated-circuit.com)



OUTSIDE DIAMETER		THREADS PER INCH	DEPTH OF THREAD	RADIUS OF THREAD
MAJOR CREST OF THREAD	MINOR ROOT OF THREAD			
MIN. .206" (5.23mm)	-----	25.4	.011" MIN. (.28mm)	.0116" (.29mm)
MAX. .210" (5.33mm)	MAX. .188" (4.77mm)			

JKL LAMP NUMBER	VOLTS RATED	AMPS ±10%	MSCP ±25%	LUMENS ±25%	AVERAGE LIFE HRS.	FILAMENT TYPE
1769	2.5	.200	.200	2.51	500	C-2R
373	14.0	.080	.500	6.29	2,500	C-2F
8384	28.0	.040	.200	2.51	50,000	C-2F
335	28.0	.040	.340	4.27	4,000	C-2F
8369	28.0	.065	.650	8.17	5,000	C-2F

<p>THIRD ANGLE PROJECTION</p>	<p><b>METRIC</b></p> <p>DIMENSIONS ARE IN MILLIMETERS</p> <p>TOLERANCE UNLESS OTHERWISE SPECIFIED</p> <p>1 PL +/- 0.2</p> <p>2 PL +/- 0.20</p> <p>ANGLE +/- 0</p>	<p><b>JKL COMPONENTS CORPORATION</b></p>			
	<p>TITLE</p> <p><b>T-1 3/4 STANDARD MIDGET SCREW BASE LAMP</b></p>				
<p>DRAWN BY</p> <p>L. WENGSTROM</p>	<p>APPVD BY</p> <p>E.D.</p>	<p>DATE</p> <p>4/9/01</p>	<p>SIZE</p> <p><b>A</b></p>	<p>FSCM NO.</p> <p><b>55335</b></p>	<p>DRAWING NO.</p> <p><b>SCREW BASE T-1 3/4--17.4</b></p>
<p>- CAD DRAWING -</p> <p>MANUAL REVISIONS NOT PERMITTED</p>			<p>SCALE</p> <p><b>NONE</b></p>	<p>RELEASED DATE</p> <p>11/17/00</p>	<p>REVISION DATE</p> <p>4/9/01</p>
<p>REV. NO.</p>	<p>DESCRIPTION/ECO NUMBER</p>	<p>APPVD DATE</p>	<p>REV. NO.</p> <p><b>A</b></p>	<p>SHEET</p> <p>1 OF 1</p>	

<b>A</b>	DELETE NOTE	4/9/01
	RELEASE & CANCEL 335LSV	11/17/00
REV. NO.	DESCRIPTION/ECO NUMBER	APPVD DATE