

Excellent Integrated System Limited

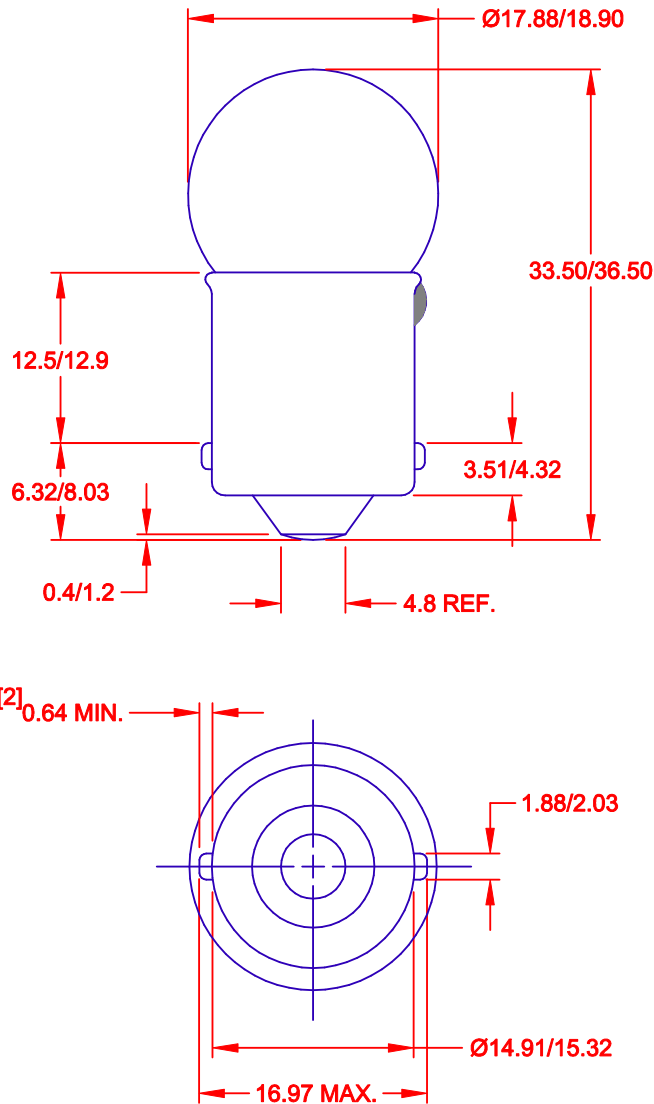
Stocking Distributor

Click to view price, real time Inventory, Delivery & Lifecycle Information:

[JKL Components Corporation](#)
[1251](#)

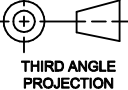
For any questions, you can email us directly:

sales@integrated-circuit.com



JKL LAMP NUMBER	VOLTS RATED	AMPS ±10%	*MSCP ±25%	*LUMENS ±25%	AVERAGE LIFE HRS.	FILAMENT TYPE
81	6.5	1.02	6.00	75.42	500	C-2R
89	13.0	.58	6.00	75.42	750	C-2R
67	13.5	.59	4.00	50.28	5,000	C-2R
1251	28.0	.23	3.00	37.71	2,000	2C-2V
303	28.0	.30	6.00	75.42	500	C-2F
623	28.0	.37	6.00	75.42	1,000	2C-2V

*LAMP RATED ONLY WITHOUT BASE.

		METRIC  THIRD ANGLE PROJECTION		DIMENSIONS ARE IN MILLIMETERS TOLERANCE UNLESS OTHERWISE SPECIFIED 1 PL +/- 0.2 2 PL +/- 0.20 ANGLE +/- 0		JKL COMPONENTS CORPORATION TITLE G-6 SINGLE CONTACT BAYONET BASE LAMP						
RELEASED AS CAD		3/26/01	APPV'D DATE	DRAWN BY L. WENGSTROM	APPV'D BY QC	DATE 3/26/01	SIZE A	FSCM NO. 55335	DRAWING NO. BAYONET SINGLE CONTACT G-6			
REV. NO.	DESCRIPTION/ECO NUMBER	APPV'D DATE	- CAD DRAWING - MANUAL REVISIONS NOT PERMITTED			SCALE	NONE	RELEASED DATE	3/26/01	REVISION DATE	REV. NO.	SHEET 1 of 1