

Excellent Integrated System Limited

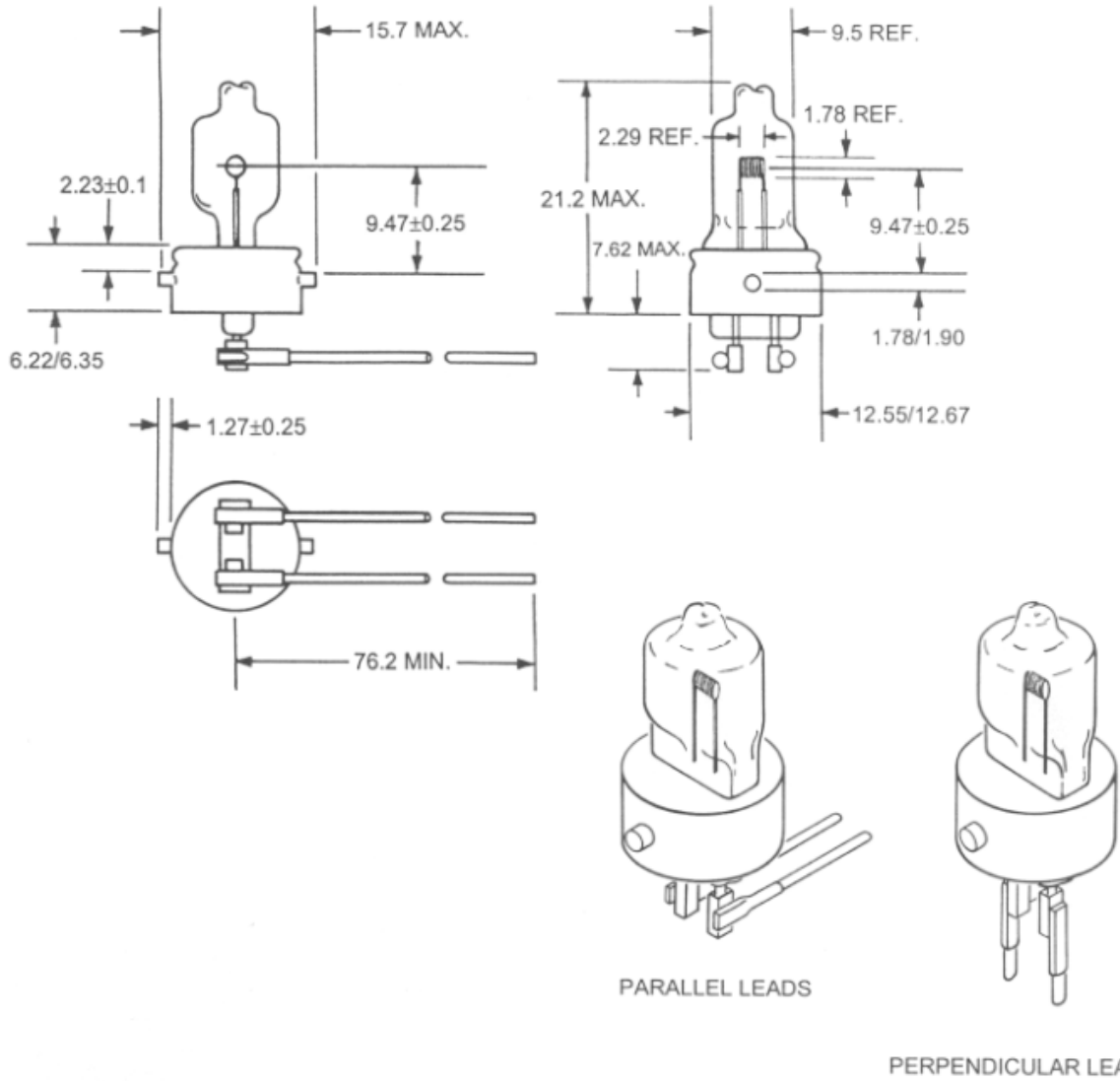
Stocking Distributor

Click to view price, real time Inventory, Delivery & Lifecycle Information:

[JKL Components Corporation](#)
[1974](#)

For any questions, you can email us directly:

sales@integrated-circuit.com



ELECTRICAL RATED		BRIGHTNESS		APPROX TEMP °K	LIFE AVERAGE HOURS	LEAD LENGTH DESCRIPTION	T-3 METAL TWO-PIN BASED PARALLEL WIRE TERMINAL LAMPS	T-3 METAL TWO-PIN BASED PERPENDICULAR WIRE TERMINAL LAMPS
VOLTS	AMPS	RATED LUMENS	CANDLE POWER				1974	1974D 1962DZ
6.0	3.33	160	(13)	2550	10,000	3"	1974	
6.0	3.33	160	(13)	2550	10,000	5" INSUL.		1974D
8.5	7.30	1280	(100)	3100	50	12" INSUL		1962DZ
13.0	5.77	1450	(115)	2950	400	3"	1984	

<p>METRIC</p> <p>THIRD ANGLE PROJECTION</p>		<p>DIMENSIONS ARE IN MILLIMETERS</p> <p>TOLERANCE UNLESS OTHERWISE SPECIFIED</p> <p>1 PL +/- 0.2</p> <p>2 PL +/- 0.2</p> <p>ANGLE +/- 0.20</p>		<p>JKL COMPONENTS CORPORATION</p>					
<p>REV. NO. A</p> <p>DELETE PART # 1962 RELEASED</p>		<p>8/3/05</p> <p>L. WENGSTROM</p>		<p>DATE 8/3/05</p> <p>J.K.</p>		<p>SIZE A</p> <p>FSCM NO. 55335</p>		<p>DRAWING NO. QUARTZ T-3 TWO-PIN BASED</p>	
<p>DESCRIPTION/ECO NUMBER</p>		<p>1/23/01</p> <p>APPV'D DATE</p>		<p>- CAD DRAWING -</p> <p>MANUAL REVISIONS NOT PERMITTED</p>		<p>SCALE NONE</p>		<p>RELEASED DATE 1/23/01</p> <p>REVISION DATE 8/3/05</p>	
						<p>REV. NO. A</p>		<p>SHEET 1 OF 1</p>	