

Excellent Integrated System Limited

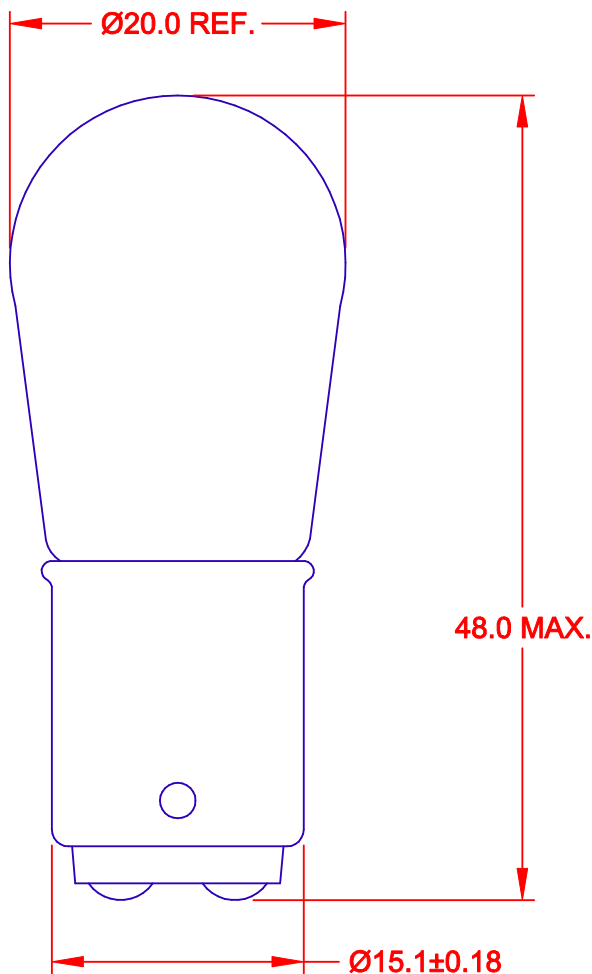
Stocking Distributor

Click to view price, real time Inventory, Delivery & Lifecycle Information:

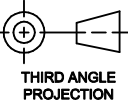
[JKL Components Corporation](#)
[10S6-230V-DCB](#)

For any questions, you can email us directly:

sales@integrated-circuit.com



JKL LAMP NUMBER	VOLTS RATED	WATTS	INITIAL MSCP	INITIAL LUMENS	AVERAGE LIFE HRS.	FILAMENT TYPE
6S6-120-DCB	120	6	3.18	40.0	1,500	C-7A
6S6-145V-DCB	145	6	3.18	40.0	1,500	C-7A
10S6-230V-DCB	230	10	5.97	75.0	1,500	C-1

			METRIC  THIRD ANGLE PROJECTION		DIMENSIONS ARE IN MILLIMETERS TOLERANCE UNLESS OTHERWISE SPECIFIED 1 PL +/- 0.2 2 PL +/- 0.20 ANGLE +/- 0		JKL COMPONENTS CORPORATION				
					TITLE S-6 DOUBLE CONTACT BAYONET BASE LAMP						
			DRAWN BY L. WENGSTROM		APPVD BY DATE QC 3/1/01		SIZE A	FSCM NO. 55335	DRAWING NO. BAYONET DOUBLE CONTACT S-6		
RELEASED AS CAD			3/1/01 APPVD DATE		- CAD DRAWING - MANUAL REVISIONS NOT PERMITTED		SCALE NONE	RELEASED DATE 3/1/01	REVISION DATE	REV. NO.	SHEET 1 of 1