

Excellent Integrated System Limited

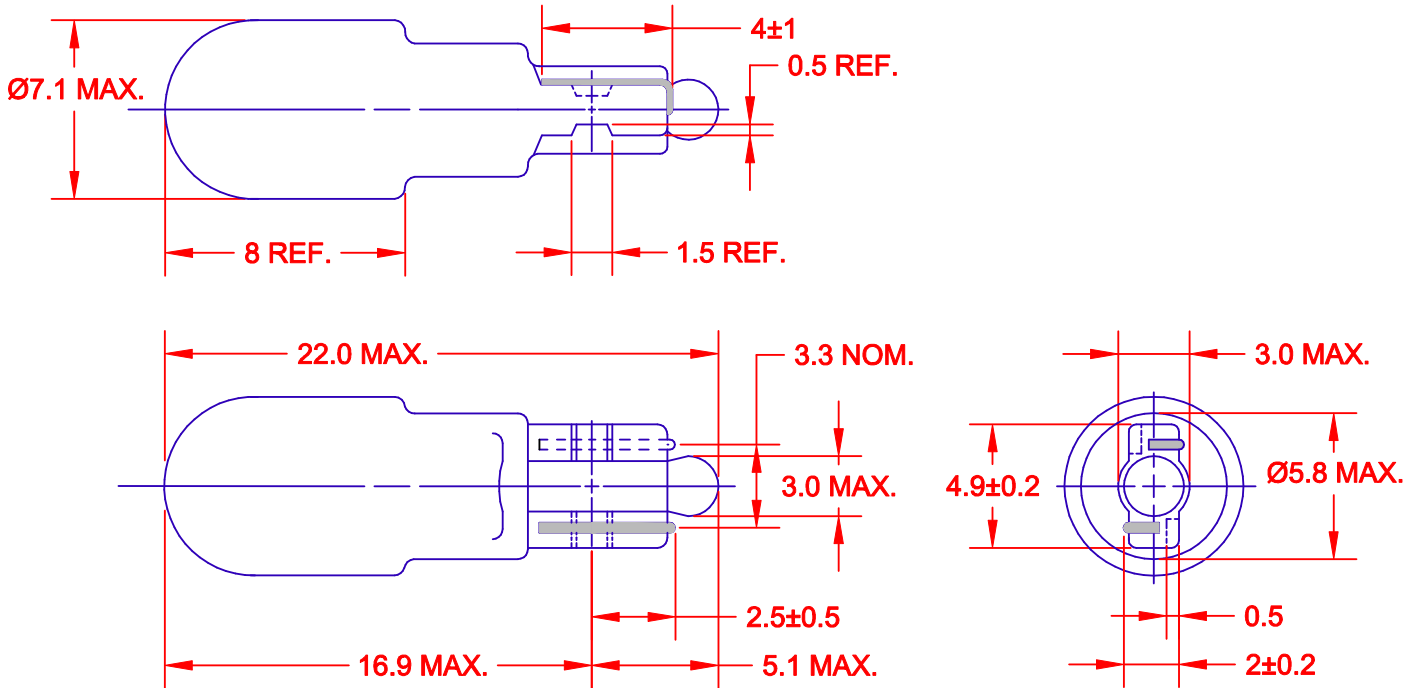
Stocking Distributor

Click to view price, real time Inventory, Delivery & Lifecycle Information:

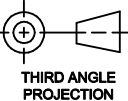
[JKL Components Corporation](#)
[FWG103](#)

For any questions, you can email us directly:

sales@integrated-circuit.com



JKL LAMP NUMBER	VOLTS RATED	AMPS $\pm 10\%$	*MSCP $\pm 25\%$	*LUMENS $\pm 25\%$	AVERAGE LIFE HRS.	FILAMENT TYPE
FWG203	14.0	.120	.90	11.31	1,500	C-2F
FWG103	14.0	.220	1.70	21.37	1,500	C-2F
FWG803	28.0	.107	1.00	12.57	1,000	C-2F

		METRIC  THIRD ANGLE PROJECTION		DIMENSIONS ARE IN MILLIMETERS TOLERANCE UNLESS OTHERWISE SPECIFIED 1 PL +/- 0.2 2 PL +/- 0.20 ANGLE +/- 0		JKL COMPONENTS CORPORATION					
						TITLE T-1 3/4 SPECIAL GLASS WEDGE BASE					
A DIMENSION CHANGE RELEASED & CANCEL GW-SPC-T1 3/4, FWG303		7/16/02 6/14/00	L. WENGSTROM APPVD DATE	E.D. 7/16/02 DATE	SIZE A	FSCM NO. 55335	DRAWING NO. GLASS WEDGE SPECIAL T-1 3/4				
REV. NO. DESCRIPTION/ECO NUMBER		APPVD DATE	- CAD DRAWING - MANUAL REVISIONS NOT PERMITTED			SCALE NONE	RELEASED DATE 6/14/00	REVISION DATE 7/15/02	REV. NO. A	SHEET 1 OF 1	