

## Excellent Integrated System Limited

Stocking Distributor

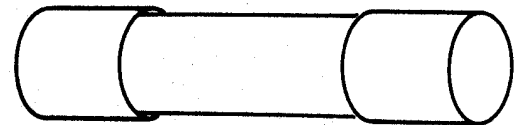
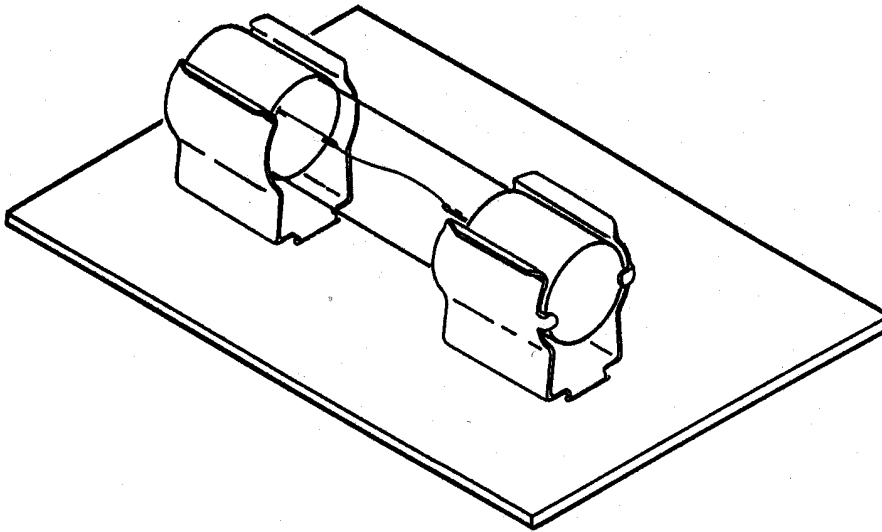
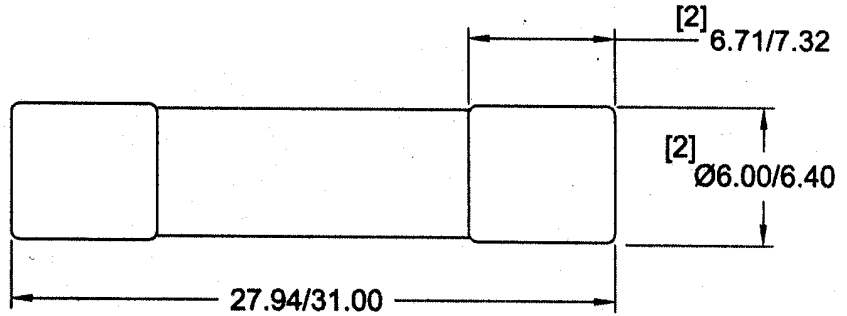
Click to view price, real time Inventory, Delivery & Lifecycle Information:

[JKL Components Corporation](#)

[GF780](#)

For any questions, you can email us directly:

[sales@integrated-circuit.com](mailto:sales@integrated-circuit.com)



NOTE: End Cap to be impression stamped with "JKL and applicable PART NUMBER."

JKL LAMP NUMBER	VOLTS RATED	AMPS ±10%	MSCP ±25%	LUMENS ±25%	AVERAGE LIFE HRS.	FILAMENT TYPE
GF540	6.0	.100	.10	1.26	10,000	C-8
GF550	6.0	.200	.40	5.03	5,000	C-8
GF570	6.3	.250	.64	8.04	10,000	C-8
GF560	6.3	.300	.64	8.04	10,000	C-8
GF660	8.0	.150	.40	5.03	10,000	C-8
GF665	8.0	.200	.25	3.14	10,000	C-8
GF670	8.0	.250	.64	8.04	10,000	C-8
GF680	8.0	.300	.90	11.31	10,000	C-8
GF710	12.0	.100	.23	2.89	10,000	C-8
GF780	12.0	.150	.70	9.00	5,000	C-8
GF740	12.6	.300	.64	8.04	5,000	C-8

<b>METRIC</b>  THIRD ANGLE PROJECTION	DIMENSIONS ARE IN MILLIMETERS TOLERANCE UNLESS OTHERWISE SPECIFIED 1 PL +/- 0.2 2 PL +/- 0.20 ANGLE +/-	<b>JKL COMPONENTS CORPORATION</b>				
	DRAWN BY L. WENGSTROM	APPVD BY DATE ED 3/1/01	SIZE <b>A</b>	P&CM NO. <b>55335</b>	DRAWING NO. <b>FUSE GF SERIES T-2</b>	
- CAD DRAWING - MANUAL REVISIONS NOT PERMITTED		SCALE NONE	RELEASED DATE 3/1/01	REVISION DATE	REV. NO.	SHEET 1 OF 1

REV. NO.	DESCRIPTION/ECO NUMBER	APPVD DATE
RELEASED		3/1/01