

Excellent Integrated System Limited

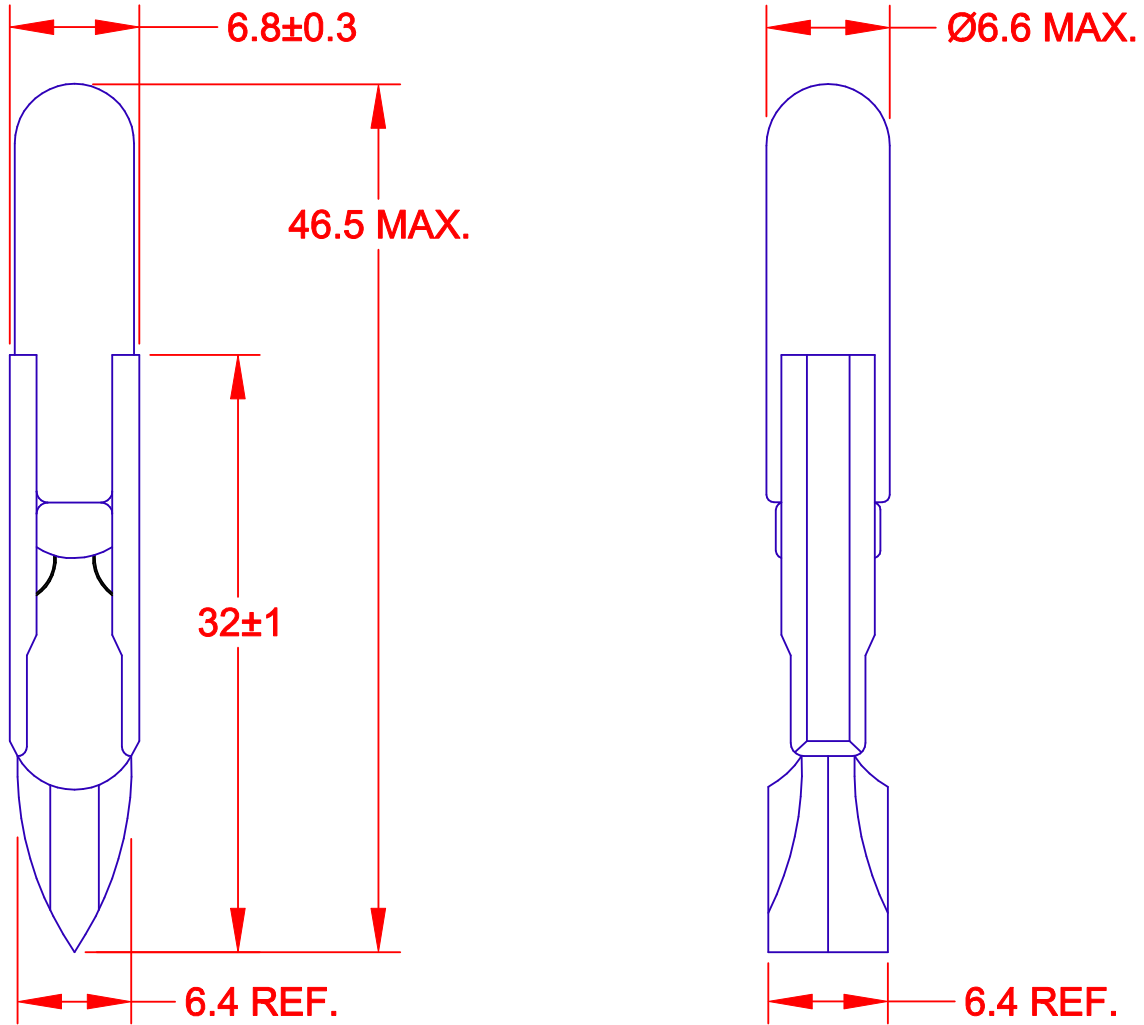
Stocking Distributor

Click to view price, real time Inventory, Delivery & Lifecycle Information:

[JKL Components Corporation](#)
[SM2440G](#)

For any questions, you can email us directly:

sales@integrated-circuit.com



JKL LAMP NUMBER	VOLTS RATED	AMPS ±10%	MSCP ±25%	LUMENS ±25%	AVERAGE LIFE HRS.	FILAMENT TYPE
SM0640G	6.0	.040	.048	0.60	5,000	C-2V
SM06200G	6.0	.200	.334	4.20	5,000	C-2R
SM1220G	12.0	.020	.032	0.40	5,000	C-2V
SM1250G	12.0	.050	.160	2.01	5,000	C-2V
SM12100G	12.0	.100	.255	3.21	5,000	C-2V
SM2420G	24.0	.020	.064	0.80	5,000	C-2F
SM2450G	24.0	.050	.279	3.51	5,000	C-2F
SM3020G	30.0	.020	.104	1.31	5,000	C-2F
SM3050G	30.0	.050	.319	4.00	5,000	C-2F
SM4840G	48.0	.040	.358	4.50	5,000	CC-2F
SM6020G	60.0	.020	.184	2.30	5,000	CC-2F

METRIC

DIMENSIONS ARE IN MILLIMETERS

TOLERANCE UNLESS OTHERWISE SPECIFIED

1 PL +/- 0.2

2 PL +/-

ANGLE +/- 0

THIRD ANGLE PROJECTION

DRAWN BY: L. WENGSTROM

APPVD BY: QC

DATE: 10/9/01

- CAD DRAWING -

MANUAL REVISIONS NOT PERMITTED

JKL COMPONENTS CORPORATION

TITLE: T-2 TELEPHONE SLIDE BASE T6.8

SIZE: **A** FSCM NO. **55335** DRAWING NO. **SLIDE BASE T6.8**

SCALE: NONE RELEASED DATE: 8/16/00 REVISION DATE: 10/9/01 REV. NO. **B** SHEET 1 OF 1

REV. NO.	DESCRIPTION/ECO NUMBER	APPVD DATE
B	DELETE PART NO. SM2845G	10/9/01
A	ADD SM3050G & SM6020G	8/31/00
	RELEASED	8/16/00