

Excellent Integrated System Limited

Stocking Distributor

Click to view price, real time Inventory, Delivery & Lifecycle Information:

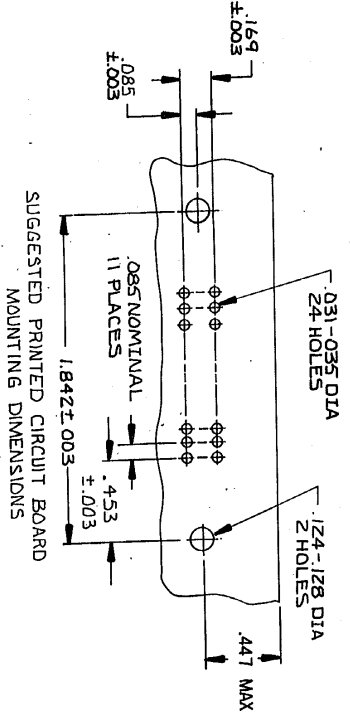
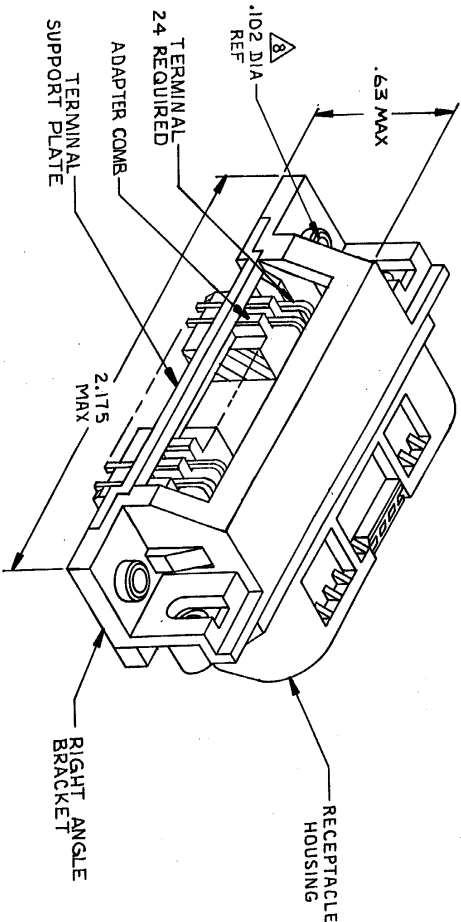
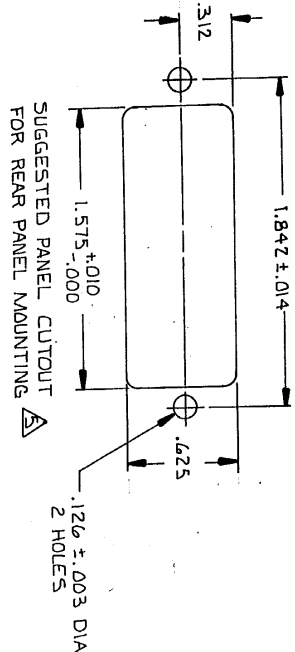
[TE Connectivity AMP Connectors](#)
[552740-1](#)

For any questions, you can email us directly:

sales@integrated-circuit.com

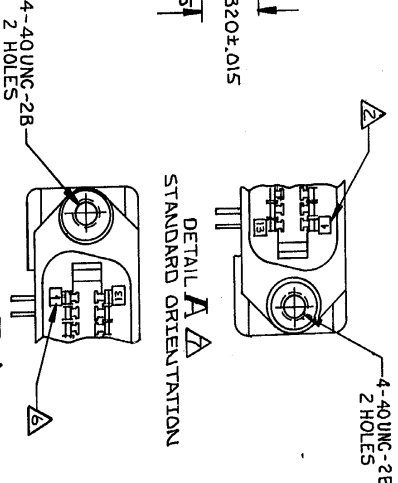
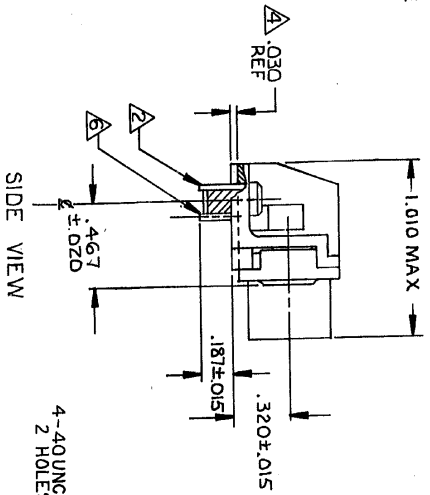


DRAWING MADE IN THIRD ANGLE PROJECTION
 RELEASED FOR PUBLICATION FEBRUARY 11, 1982
 © Copyright 1977
 BY AMP INCORPORATED, HARRISBURG, PA. ALL INTERNATIONAL RIGHTS RESERVED. AMP PRODUCTS MAY BE COVERED BY U.S. AND FOREIGN PATENTS AND/OR PATENT PENDING.



REVISIONS		DATE APPROVED	LOG DIST
P	ZONE LTR		AA 21
N	OBSOLETE - 3-4-ECN AA-5985	2/2/82	

- △ MATERIAL: HOUSING BRACKET PLATE AND COMB-THERMOPLASTIC (BLACK) 94V-0 RATED. TERMINALS-TAIS-TIN LEAD OVER NICKEL PLATED HIGH STRENGTH COPPER ALLOY. MATING SURFACE-LOCALIZED GOLD OVER NICKEL PLATED HIGH STRENGTH COPPER ALLOY.
- △ TERMINAL 1 LOCATED IN THIS ROW FOR 552740-1.
- △ TERMINAL SUPPORT PLATE CLEARANCE FOR TERMINAL STRAIN RELIEF AND FLUX REMOVAL.
- △ PANEL THICKNESS RANGE: .062.
- △ TERMINAL 1 LOCATED IN THIS ROW FOR 552740-2.
- △ DETAILS A & B ARE VIEWED FROM MATING SIDE OF RECEPTACLE ASSEMBLY.
- △ FOR USE WITH A NO. 4 BT TYPE SELF-TAPPING SCREW.



UNLESS OTHERWISE SPECIFIED DIMENSIONS ARE IN INCHES. TOLERANCES ON: DECIMALS ± .005 ANGLES ±		CONTRACT NO		TYPE OF MOUNTING	SEE DETAIL	DESCRIPTION	PART NO
MATERIAL		DR 0.144 2-11-82		SELF-TAPPING	B		552740-2
FINISH		CHK MJD 225-82			A		552740-1
		ASSEMBLY POSITION, RIGHT ANGLE, PRINTED CIRCUIT BOARD (CHAMP-LOK, THRU-BOLT & SELF-TAPPING)		NAME ASSEMBLY, RECEPTACLE, 24 POSITION, RIGHT ANGLE, PRINTED CIRCUIT BOARD (CHAMP-LOK, THRU-BOLT & SELF-TAPPING)		AMP INCORPORATED HARRISBURG, PA. 17105	
SCALE 2/1		SIZE FSGM NO 00779		DRAWING NO 552740			

CUSTOMER DRAWING

552740