

Excellent Integrated System Limited

Stocking Distributor

Click to view price, real time Inventory, Delivery & Lifecycle Information:

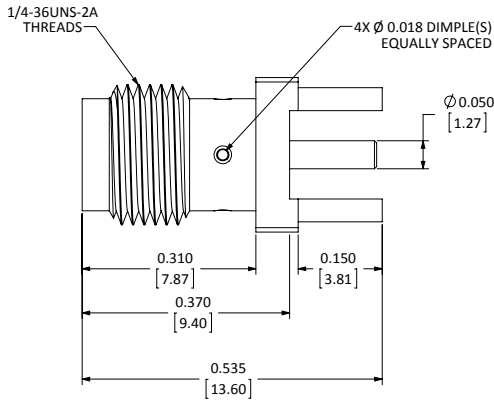
[Linx Technologies](#)
[CONSMA001](#)

For any questions, you can email us directly:

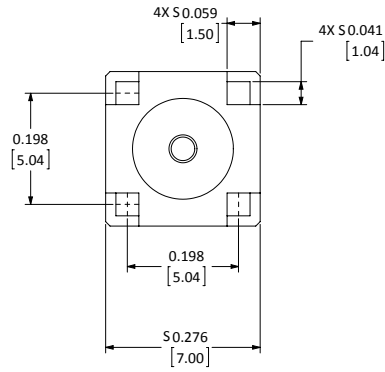
sales@integrated-circuit.com

DESCRIPTION	MATERIAL	FINISH
BODY	BRASS	NICKEL
SOCKET	BeCu	GOLD
INSULATION	PTFE	N/A

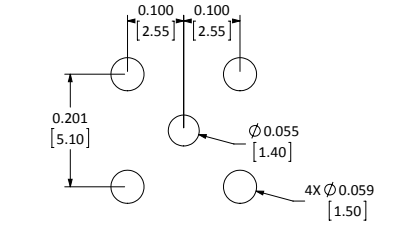
REVISIONS			
REV	DESCRIPTION	DATE	APPV
B	UPDATED FOOTPRINT AND DIMENSIONS; ADDED NEW TITLE BLOCK	2-JUL-12	SAH
C	ADDED DIMPLE TO PART	3-JUN-13	SAH



SIDE VIEW



BACK VIEW



RECOMMENDED FOOTPRINT

- NOTES: (UNLESS OTHERWISE SPECIFIED)
1. ALL DIMENSIONS ARE IN INCHES [mm].
 2. DIMENSIONS APPLY AFTER FINISHING.
 3. MANUFACTURE TO BE COMPLIANT WITH EU RoHS DIRECTIVE.
 4. SAFETY BREAK ALL SHARP CORNERS AND EDGES .02 MAXIMUM.

WARNING: THIS DRAWING CONTAINS PROPRIETARY INFORMATION THAT IS THE SOLE PROPERTY OF LINX TECHNOLOGIES, AND SHALL BE TREATED AS SUCH. NO DISCLOSURE OR REPRODUCTION OF THIS DOCUMENT IS PERMITTED, IN WHOLE OR IN PART, WITHOUT THE EXPRESS WRITTEN PERMISSION OF LINX TECHNOLOGIES OR ITS DESIGNATED AGENTS.

Linx 159 ORT LANE
MERLIN, OR 97532

MATERIAL: INTERPRET DIMENSIONS AND TOLERANCES PER ASME Y14.5. PROJECTION: SURFACE FINISH: ✓ ANGLES: ±1° TOLERANCES: X ±.1 .3X ±.01 .XXX ±.005 FINISH: DRAWN: B.MURPHY DT: 11-MAR-13 ENGR: S.HOGAN DT: 3-JUN-13

TITLE: SMA FEMALE PCB MOUNT

SIZE DWG. NO. REV B CON SMA001 C SCALE: 6:1 DO NOT SCALE DRAWING SHEET 1 OF 1 LDCFD8B_C