

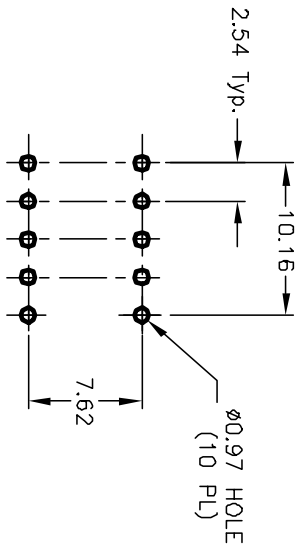
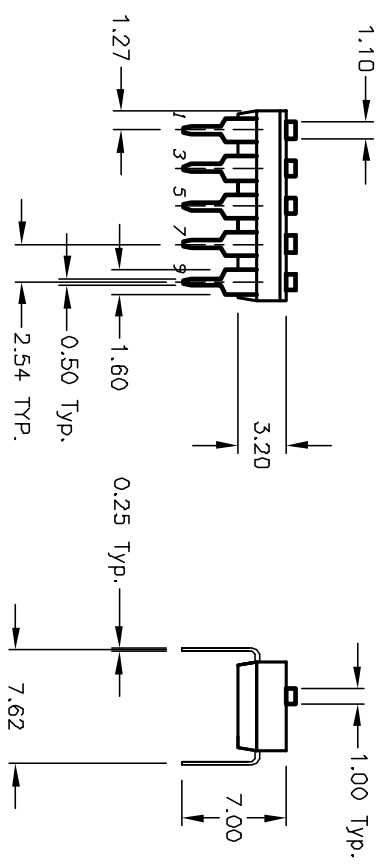
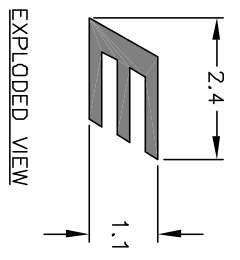
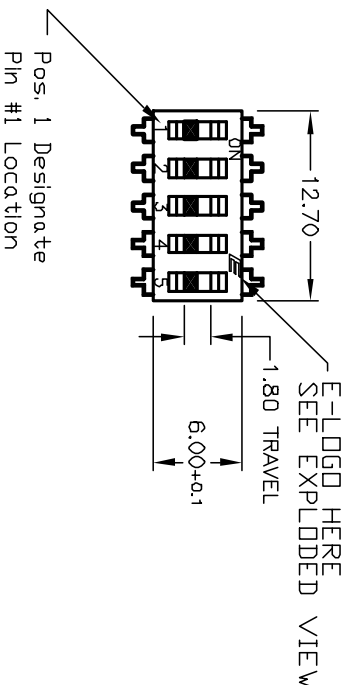
Excellent Integrated System Limited

Stocking Distributor

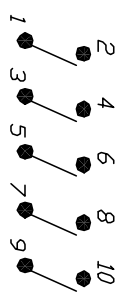
Click to view price, real time Inventory, Delivery & Lifecycle Information:

[E-Switch](#)
[KAJ05LHGT](#)

For any questions, you can email us directly:
sales@integrated-circuit.com



RECOMMENDED P.C.B. LAYOUT



NOTES:

1. ALL DIMENSIONS IN MM
2. GENERAL TOLERANCE: X.X=±0.4 X.XX=±0.25
3. TERM. NOS. FOR REFERENCE ONLY.
4. CONTACT RATINGS: 25mA @24VDC. (Switch) 100mA @50VDC. (Carry)
5. CONTACT MATERIAL: CONTACTS: (MOVABLE) Copper w/Gold Plate TERMINALS: BRASS w/Gold Plate
6. INSULATION RESISTANCE: 100 Mega-OHMS min. @500VDC
7. CONTACT RESISTANCE: 50 MILLI-OHMS typical @2-4VDC @100mA
8. OPERATING TEMP.: -40°C to +80°C
9. PACKAGE: IN DISPENSING TUBES WITH ALL POLES IN THE "OFF" POSITION.

E-SWITCH®

KAJ05 LH GT (GOLD)
 LOW PROFILE W/STRAIGHT PINS

REV.	ECN No.	DESCRIPTION	DATE	CHKD
A	12293	RELEASED FOR PRODUCTION	6/14/02	CJB

TITLE	SCALE	DATE	DR	DWG	REV
KAJ05 LH GT (GOLD) LOW PROFILE W/STRAIGHT PINS	2:1	6/14/02	CJB	W822125	A

THE INFORMATION CONTAINED IN THIS DOCUMENT IS PROPRIETARY TO E-SWITCH AND IS NOT TO BE COPIED OR TRANSMITTED