

## Excellent Integrated System Limited

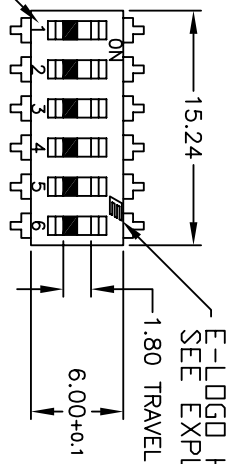
Stocking Distributor

Click to view price, real time Inventory, Delivery & Lifecycle Information:

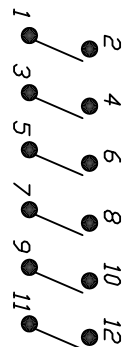
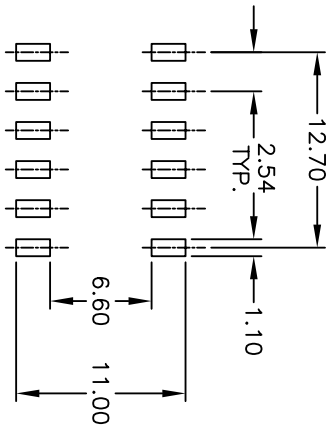
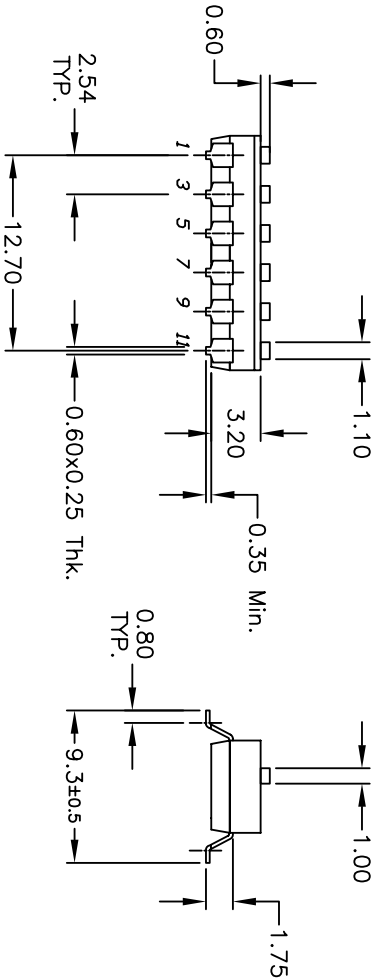
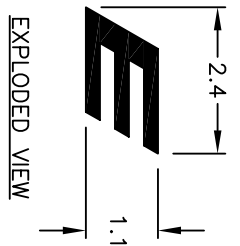
[E-Switch](#)  
[KAJ06LGGR](#)

For any questions, you can email us directly:

[sales@integrated-circuit.com](mailto:sales@integrated-circuit.com)



E-LOGO HERE  
SEE EXPLODED VIEW



CIRCUIT 6 POSITION

NOTES:

1. ALL DIMENSIONS IN MM
2. GENERAL TOLERANCE: X.X=±0.4  
X.XX=±0.25
3. TERM. NOS. FOR REFERENCE ONLY.
4. CONTACT RATINGS: 25mA @24VDC. (Switch)  
100mA @50VDC. (Carry)
- ▲ 5. CONTACT MATERIAL:  
CONTACTS: (MOVABLE) Copper w/Gold Plate  
TERMINALS: BRASS w/Gold Plate
6. INSULATION RESISTANCE:  
100 Mega-OHMS min. @500VDC
7. CONTACT RESISTANCE:  
50 MILLI-OHMS typical @2-4VDC @100mA
8. OPERATING TEMP.:  
-40°C to +80°C
9. PACKAGE: TAPE AND REEL
10. 2002/95/EC (ROHS) COMPLIANT

RECOMMENDED P.C.B. LAYOUT

**E-SWITCH®**

KAJ06LGGR

REV.	ECN No.	DESCRIPTION	DATE	CHKD
A	16637	RELEASED FOR PRODUCTION	11/10/06	TN

TITLE	SCALE	DATE	DR	DWG	REV
KAJ06LGGR	2:1	11/10/2006	TN	W825133	A

THE INFORMATION CONTAINED IN THIS DOCUMENT IS PROPRIETARY TO E-SWITCH AND IS NOT TO BE COPIED OR TRANSFERRED