

Excellent Integrated System Limited

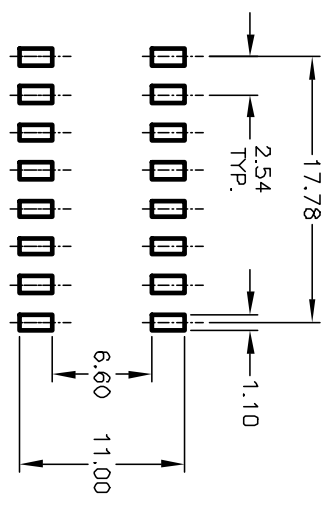
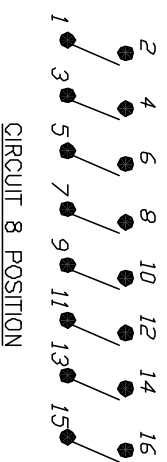
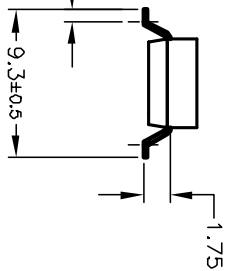
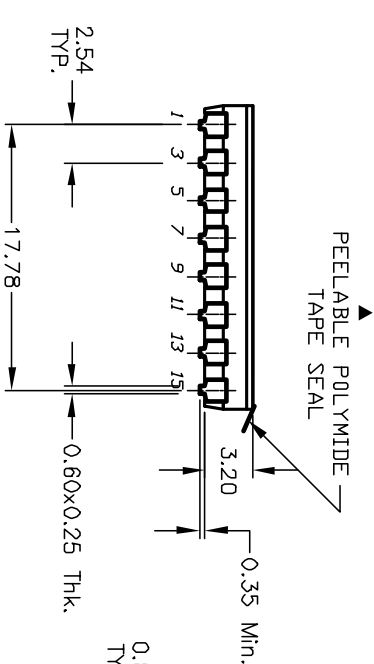
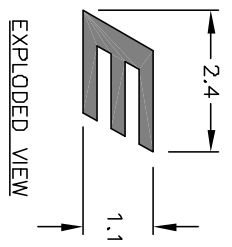
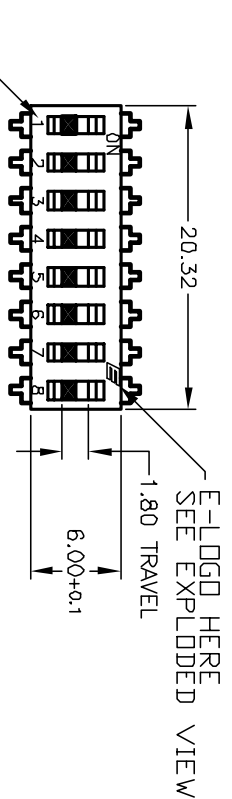
Stocking Distributor

Click to view price, real time Inventory, Delivery & Lifecycle Information:

[E-Switch](#)
[KAJ08TGGR](#)

For any questions, you can email us directly:

sales@integrated-circuit.com



- NOTES:
1. ALL DIMENSIONS IN MM
 2. GENERAL TOLERANCE: X.X=±0.4
X.XX=±0.25
 3. TERM. NOS. FOR REFERENCE ONLY.
 4. CONTACT RATINGS:
25mA @24VDC. (SWITCH)
100mA @50VDC (CARRY)
 5. CONTACT MATERIAL:
CONTACTS: BRASS w/Gold Plate
TERMINALS: BRASS w/GOLD Plate
 6. PACKAGED: TAPE & REEL
WITH ALL POLES IN THE "OFF" POSITION.
(QTY 1000 PER REEL)
 7. TAPE SEAL FOR FLUX WASH.
 8. ▲ DESIGNATE MAJOR:

E-SWITCH®

KAJ08 TG GR (TAPE & REEL)
LOW PROFILE W/TAPE SEAL

| | | | | |
|--|---------------|-------------------------|--------|-----|
| REV. A | ECN No. 12277 | RELEASED FOR PRODUCTION | 7/1/02 | CJB |
| DESCRIPTION | DATE | CHKD | SCALE | 2:1 |
| THE INFORMATION CONTAINED IN THIS DOCUMENT IS PROPRIETARY TO E-SWITCH AND IS NOT TO BE COPIED OR TRANSMITTED | | | | |

| | | | | |
|--|--------|-----|---------|-----|
| TITLE | DATE | DR | DWG | REV |
| KAJ08 TG GR (TAPE & REEL) LOW PROFILE W/TAPE SEAL | 7/1/02 | CJB | W825368 | A |