



## **Excellent Integrated System Limited**

Stocking Distributor

Click to view price, real time Inventory, Delivery & Lifecycle Information:

[CUI Inc.](#)

[CLS0231MA3E-L152](#)

For any questions, you can email us directly:

[sales@integrated-circuit.com](mailto:sales@integrated-circuit.com)



**CUI INC**

**Part No: CLS0231MA3E-L152**

**Description: speaker**

Date: 7/03/2007

Unit: mm

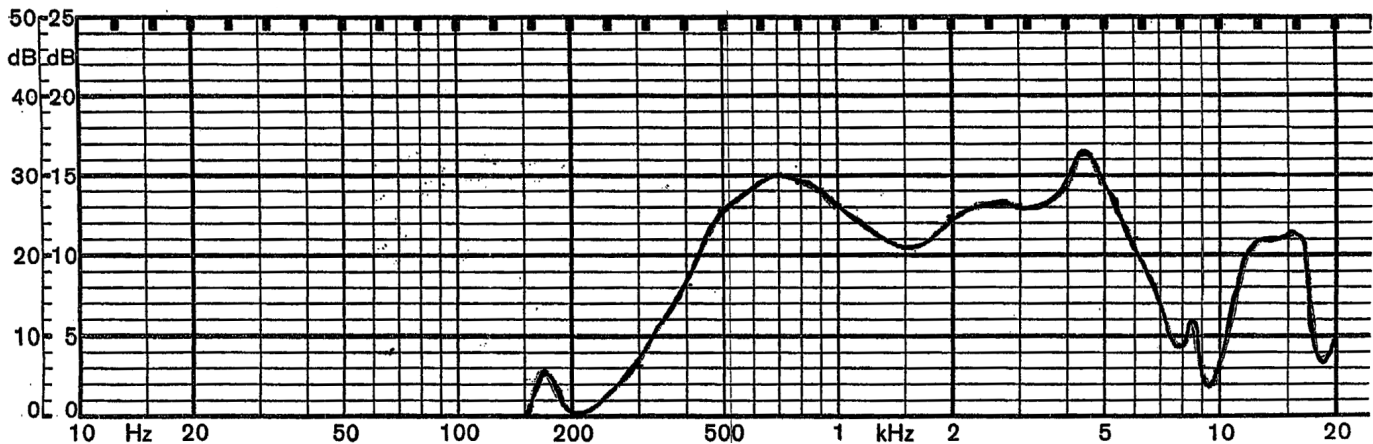
Page No: 1 of 2

**Specifications**

Nominal Size	23 mm		
Impedance	32 Ohm $\pm$ 15%	at	1 KHz 1 V
Resonant frequency	680 Hz $\pm$ 136 Hz	at	1 V
Sound pressure level	84 dB/w $\pm$ 3 dB	0.2 w 50 cm ave. at 1K, 1.2K, 1.5K, 2K Hz	
Response	Fo Hz ~ 7 KHz max 10 dB		
Input power	Nominal 0.2 W	Handling capacity	0.4 W
Operation	must be normal at program source 0.2 W		
Buzz, rattle, etc.	must be normal at sine wave 2.53 V		
Magnet	Size: 8 x 1 mm		
Load test	White noise	0.2 W for	24 hours
Heat test	60 $\pm$ 2° C	20-50% R.H.	24 hours
Humidity test	40 $\pm$ 2° C	90-95% R.H.	24 hours

**Frequency Response Curve**

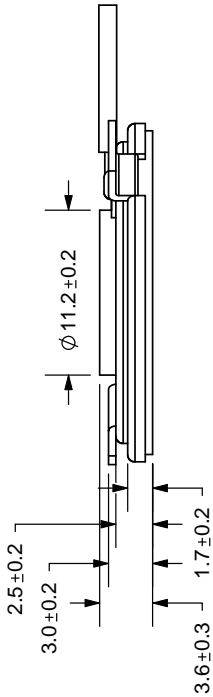
Potentiometer range	50 dB
Rectifier	RMS
Lower limit frequency	20 Hz
Wr. speed	100 mm/sec

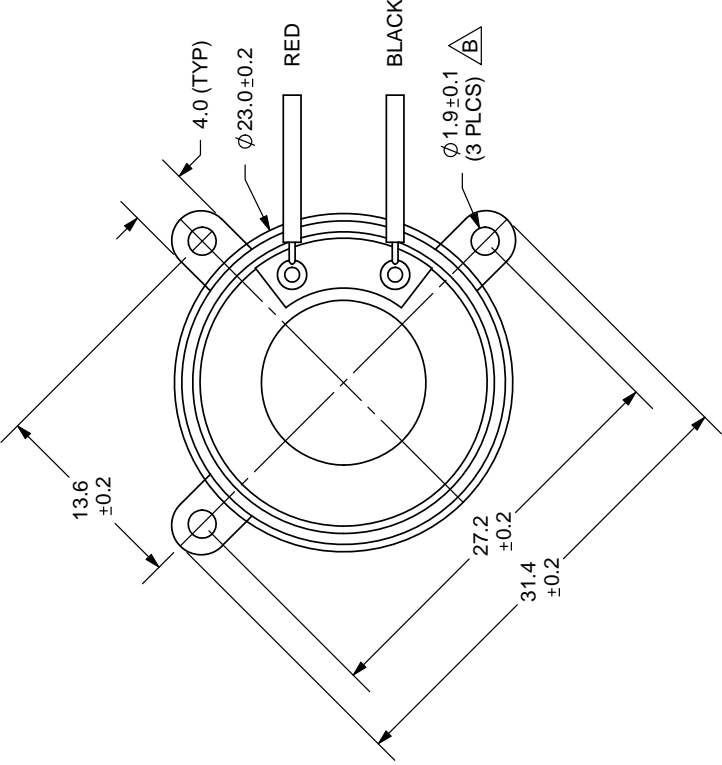


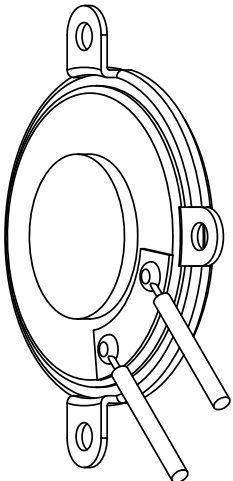
Zero level 60 dB

REV.	DESCRIPTION	DATE
A	NEW DRAWING	7/3/2007
B	added mounting hole dimension	1/31/2008


  








SPECIFICATIONS:  
 WIRE: UL1007, #28AWG  
 LENGTH: 152mm  
 TOLERANCE:  
 ±0.5mm UNLESS OTHERWISE  
 SPECIFIED





20050 SW 112th Ave.  
 Tualatin, OR 97062  
 Phone: 503-612-2300  
 800-275-4899  
 Fax: 503-612-2383  
 Website: www.cui.com

TITLE: LOW PROFILE SPEAKER	REV: B
PART NO: CLS0231MA3E-L152	UNITS: MM [INCHES]
DRAWN BY: ZRJ	APPROVED BY:
SCALE: 2:1	