

## **Excellent Integrated System Limited**

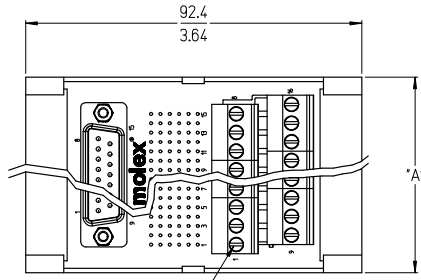
Stocking Distributor

Click to view price, real time Inventory, Delivery & Lifecycle Information:

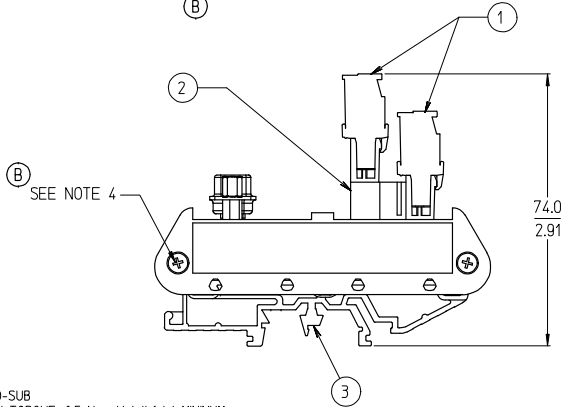
[Molex Connector Corporation](#)  
[39170-2109](#)

For any questions, you can email us directly:  
[sales@integrated-circuit.com](mailto:sales@integrated-circuit.com)

10 9 8 7 6 5 4 3 2 39170



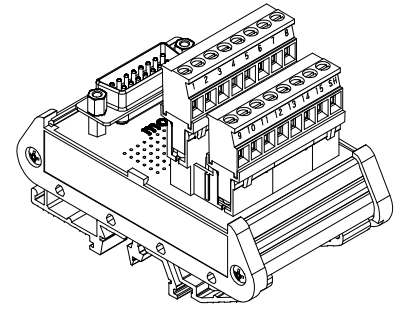
SEE NOTE 5



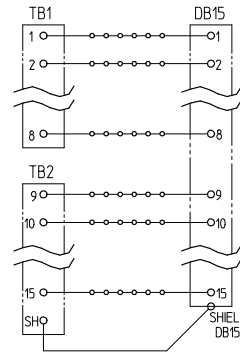
SEE NOTE 4

NOTES:

1. MATERIAL: SEE TABLE
2. FINISHES: SEE TABLE
3. MATES WITH: FEMALE D-SUB
4. END CAP MOUNT SCREW TORQUE: 0.5 N-m (4.4 lbf-in) MINIMUM  
0.6 N-m (5.3 lbf-in) MAXIMUM
5. TERMINAL BLOCK SCREW TORQUE: 0.8 N-m (7.1 lbf-in)
6. ASSEMBLY ROHS COMPLIANCE NOT REQUIRED.



15 POSITION SHOWN



TYPICAL SCHEMATIC  
(15 POSITION SHOWN)

NO. OF CIRCUITS	DIM. "A"	MATERIAL NUMBER
09	39.4 [1.55]	39170-2109
15	54.4 [2.14]	39170-2115
25	79.8 [3.14]	39170-2125
37	106.4 [4.19]	39170-2137

ITEM	QTY.	DESCRIPTION	MATERIAL	FINISH
3	2	DIN RAIL ADAPTOR UNIT	THERMOPLASTIC	BLACK
2	1	MALE D-SUB TO 5.08 HEADER, PC BOARD ASSY.	-	-
1	2	5.08 PLUGGABLE BTS	SEE SD-39860-004	BLACK

REV	DESCRIPTION
ADD SCREW TORQUE	
EC NO: ETC2007-0331	
2007/03/12	
DRINKLYORK	
2007/03/14	
CHKD: JACQUELL	
2007/03/15	
APPR: JACQUELL	

QUALITY SYMBOLS
▽=0
▽=0

GENERAL TOLERANCES (UNLESS SPECIFIED)	
mm	INCH
4 PLACES ± .005	± .0005
3 PLACES ± .005	± .0005
2 PLACES ± 0.13	± .01
1 PLACE ± 0.3	± .01
ANGULAR ± 2 °	

DIMENSION STYLE	
MM/IN	SCALE
MM/IN	1:1
DESIGN UNITS INCH	
THIRD ANGLE PROJECTION	

TITLE	
DIN RAIL INTERFACE MODULE, MALE D-SUB TO 5.08MM VERT EURO PLUG	
MOLEX INCORPORATED	
MATERIAL NO.	DOCUMENT NO.
SEE CHART	SD-39170-003
SIZE B	THIS DRAWING CONTAINS INFORMATION THAT IS PROPRIETARY TO MOLEX INCORPORATED AND SHOULD NOT BE USED WITHOUT WRITTEN PERMISSION
SHEET NO.	1 OF 1