

Excellent Integrated System Limited

Stocking Distributor

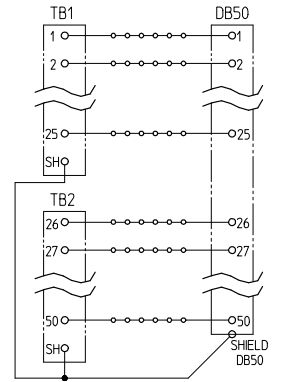
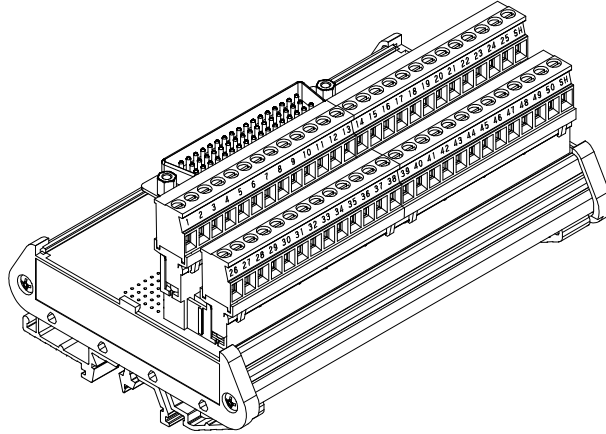
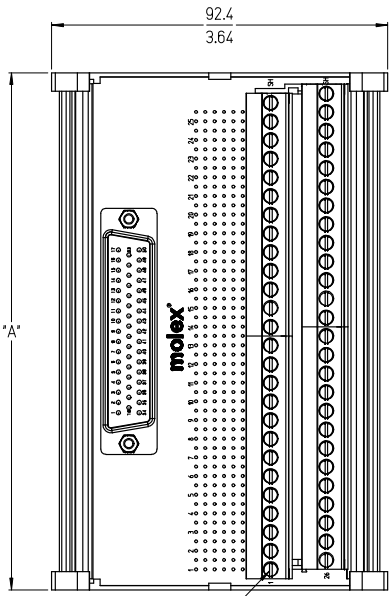
Click to view price, real time Inventory, Delivery & Lifecycle Information:

[Molex Connector Corporation](#)
[39170-2150](#)

For any questions, you can email us directly:

sales@integrated-circuit.com

10 9 8 7 6 5 4 3 2 39170

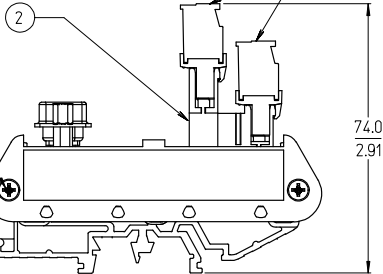


TYPICAL SCHEMATIC

NOTES:

1. MATERIAL: SEE TABLE
2. FINISHES: SEE TABLE
3. MATES WITH: 50 POSITION FEMALE D-SUB
4. END CAP MOUNT SCREW TORQUE: 0.5 N-m (4.4 lbf-in) MINIMUM
0.6 N-m (5.3 lbf-in) MAXIMUM
5. TERMINAL BLOCK SCREW TORQUE: 0.8 N-m (7.1 lbf-in)
6. ASSEMBLY IS ROHS COMPLIANT.

(B) SEE NOTE 5



(B) SEE NOTE 4

3	2	DIN RAIL ADAPTOR UNIT	THERMOPLASTIC	BLACK
2	1	MALE D-SUB TO 5.08 HEADER, PC BOARD ASSY.	-	-
1	4	5.08 PLUGGABLE BTS, 13 POSITION	SEE SD-39860-004	BLACK
ITEM	QTY.	DESCRIPTION	MATERIAL	FINISH

ADD SCREW TORQUE EC NO: ETC/2007-0331 CDR: INGLYORK 2007/03/12 CHKD: JACQUELL 2007/03/14 APPR: JACQUELL 2007/03/15	QUALITY SYMBOLS ▽=0 ▽=0	GENERAL TOLERANCES (UNLESS SPECIFIED)		DIMENSION STYLE	SCALE	DESIGN UNITS	THIRD ANGLE PROJECTION	
			mm	INCH	MM/IN	1:1	INCH	☉
		4 PLACES	± ---	± ---				
		3 PLACES	± ---	± .005				
		2 PLACES	± 0.13	± .01				
		1 PLACE	± 0.3	± ---				
		ANGULAR ± 2 °						
		DRAFT WHERE APPLICABLE MUST REMAIN WITHIN DIMENSIONS						
		MATERIAL NO.	39170-2150	DOCUMENT NO.	SD-39170-009		SHEET NO. 1 OF 1	
		DRAWN BY: C. YORK 2004/11/15 CHECKED BY: R. STONE 2004/11/16 APPROVED BY: G. ROBERTSON 2004/11/16						TITLE DIN RAIL INTERFACE MOD. 50 POSITION MALE D-SUB TO 5.08MM VERT EURO PLUG
		MATERIAL FINISH						MOLEX INCORPORATED
THIS DRAWING CONTAINS INFORMATION THAT IS PROPRIETARY TO MOLEX INCORPORATED AND SHOULD NOT BE USED WITHOUT WRITTEN PERMISSION								

9 8 7 6 5 4 3 2 1