

## **Excellent Integrated System Limited**

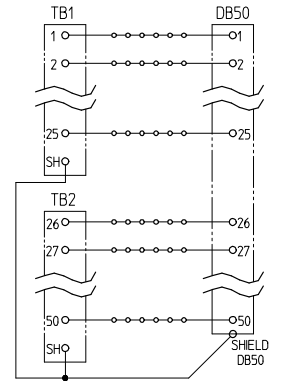
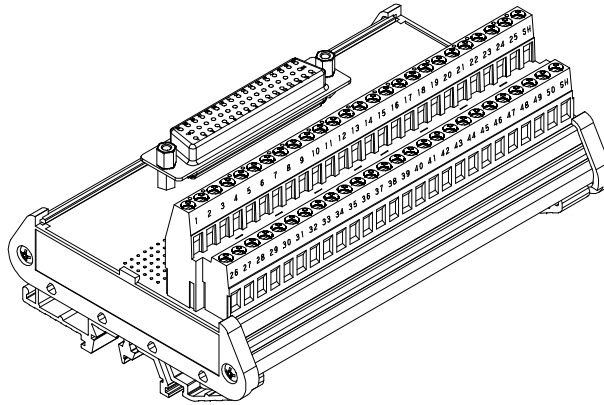
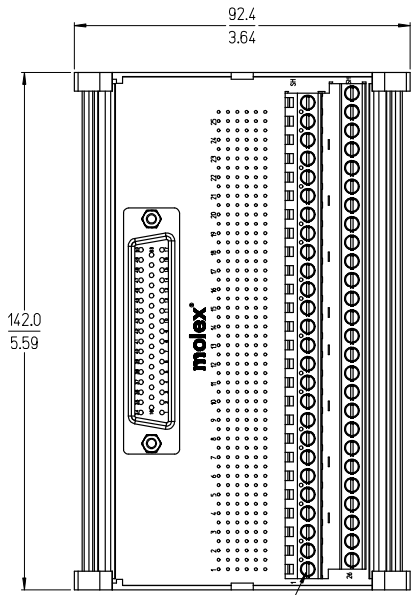
Stocking Distributor

Click to view price, real time Inventory, Delivery & Lifecycle Information:

[Molex Connector Corporation](#)  
[39170-3050](#)

For any questions, you can email us directly:  
[sales@integrated-circuit.com](mailto:sales@integrated-circuit.com)

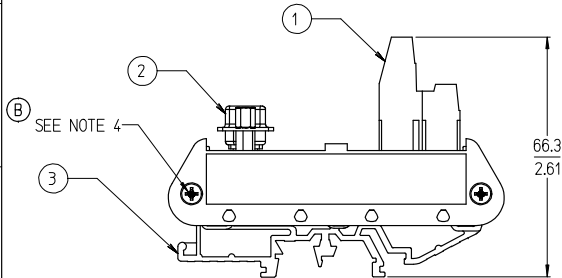
10 9 8 7 6 5 4 3 2 39170



TYPICAL SCHEMATIC

NOTES:

1. MATERIAL: SEE TABLE
2. FINISHES: SEE TABLE
3. MATES WITH: 50 POSITION MALE D-SUB
4. END CAP MOUNT SCREW TORQUE: 0.5 N-m (4.4 lbf-in) MINIMUM  
0.6 N-m (5.3 lbf-in) MAXIMUM
5. TERMINAL BLOCK SCREW TORQUE: 0.8 N-m (7.1 lbf-in)
6. ASSEMBLY ROHS COMPLIANCE NOT REQUIRED.



ITEM	QTY.	DESCRIPTION	MATERIAL	FINISH
3	2	DIN RAIL ADAPTOR UNIT	THERMOPLASTIC	BLACK
2	1	FEMALE D-SUB TO 508 FIXED, PC BOARD ASSY.	-	-
1	1	508 FIXED, DUAL LEVEL BTS	SEE SD-39880-006	BLACK

REV	DESCRIPTION	QUALITY SYMBOLS	GENERAL TOLERANCES (UNLESS SPECIFIED)	DIMENSION STYLE	SCALE	DESIGN UNITS	THIRD ANGLE PROJECTION
ADD SCREW TORQUE				MM/IN	1:1	INCH	
EC NO: EITC2007-0331		▽=0	4 PLACES ± --- ± ---				
CD: DRINKLYORK 2007/03/12		▽=0	3 PLACES ± --- ± .005				
CHKD: JACQUELL 2007/03/14			2 PLACES ± 0.13 ± .01				
APPR: JACQUELL 2007/03/15			1 PLACE ± 0.3 ± ---				
			ANGULAR ± 2 °				
			DRAFT WHERE APPLICABLE				
			MUST REMAIN WITHIN DIMENSIONS				
				MATERIAL NO.			
				39170-3050			
					DOCUMENT NO.		
					SD-39170-008		
				SIZE			
				B	THIS DRAWING CONTAINS INFORMATION THAT IS PROPRIETARY TO MOLEX INCORPORATED AND SHOULD NOT BE USED WITHOUT WRITTEN PERMISSION		

9 8 7 6 5 4 3 2 1