

Excellent Integrated System Limited

Stocking Distributor

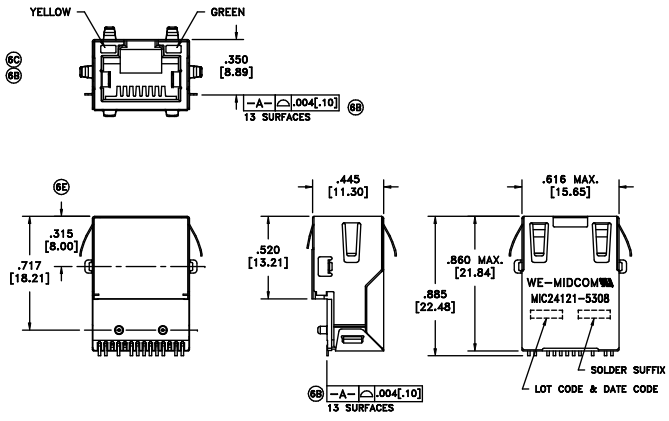
Click to view price, real time Inventory, Delivery & Lifecycle Information:

[Wurth Electronics Inc](#)
[7498011122](#)

For any questions, you can email us directly:

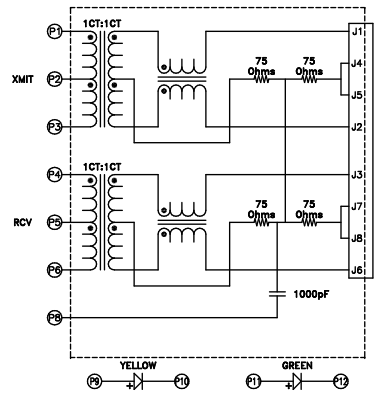
sales@integrated-circuit.com

SOLDER SUFFIX	CUSTOMER TERMINAL	RoHS	LEAD(Pb)-FREE
LF3	Sn100X	Yes	No



ELECTRICAL SPECIFICATIONS @ 25°C unless otherwise noted:

- INDUCTANCE: 350uH min., 100kHz, 100mV, 8mADC, J1-J2; J3-J6, Lp.
 - Ⓔ DIELECTRIC RATING: 2250VDC for 1 minute between P1-J1(tie P1+P4).
 - URNS RATIO/POLARITY: (P1-P3):(J1-J2) = 1:1, ±2%.
(P4-P6):(J3-J6) = 1:1, ±2%.
 - INSERTION LOSS: -1.0dB max., 1MHz - 100MHz.
 - RETURN LOSS: -18dB min., 1M - 30MHz.
-16dB min., 30M - 45MHz.
-14dB min., 45M - 60MHz.
-12dB min., 60M - 80MHz.
 - CROSSTALK: -35dB min., 1MHz - 100MHz.
 - COMMON MODE REJECTION: -35dB min., 1MHz - 100MHz.
 - OPERATING TEMPERATURE RANGE: -40°C to +85°C.
- Designed for 10/100Base-T Application.



REV.	DATE
6E	8/07
6D	3/07
6C	1/07
6B	10/06
6A	2/06

AGENCY NUMBER	
UL60950-1	E205830

Packaging Specifications Method: Tray PKG-0586 www.midcom-inc.com	Unless otherwise specified: Tolerances: Fractions: ±1/64 Ⓔ Angles: ±1° Decimals: ±.005[.127]	DRAWING TITLE TRANSFORMER 10/100Mbps	PART NO. MIC24121-5308W-LF3
	This drawing is dual dimensioned. Dimensions in brackets are in millimeters.	eiSos p/n: 7498011122	