

Excellent Integrated System Limited

Stocking Distributor

Click to view price, real time Inventory, Delivery & Lifecycle Information:

[Wurth Electronics Inc](#)
[7497010211A](#)

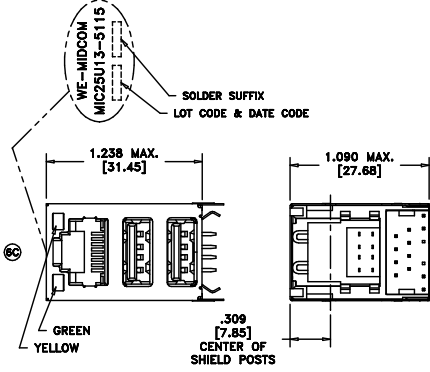
For any questions, you can email us directly:

sales@integrated-circuit.com

SOLDER SUFFIX	CUSTOMER TERMINAL	RoHS	LEAD(Pb)-FREE
LF3	Sn100%	Yes	Yes



MARKING DETAIL ON TOP SURFACE OF SHIELD



ELECTRICAL SPECIFICATIONS @ 25°C unless otherwise noted:

INDUCTANCE: 350uH min., 100kHz, 100mV, 8mADC, J1-J2; J3-J6, Lp.

⑥ DIELECTRIC RATING: 1500Vrms for 1 minute between P9-J1(tie P9 thru P14+shield, J1 thru J8). 500Vrms for 1 minute, tested by applying 600Vrms for 1 second between P1-P5(tie P1 thru P4, P5 thru P8).

⑥ TURNS RATIO/POLARITY: (P9-P10):(J1-J2) = 1:1, ±2%. (P11-P14):(J3-J6) = 1:1, ±2%.

⑥ INSERTION LOSS: -1.0dB max., 1MHz - 100MHz.

⑥ RETURN LOSS: -18dB min., 1M - 30MHz. -16dB min., 30M - 45MHz. -14dB min., 45M - 60MHz. -12dB min., 60M - 80MHz.

⑥ CROSSTALK: -33dB min., 1MHz - 100MHz.

⑥ COMMON MODE REJECTION: -35dB min., 1MHz - 100MHz.

⑥ OPERATING TEMPERATURE RANGE: 0°C to +70°C.

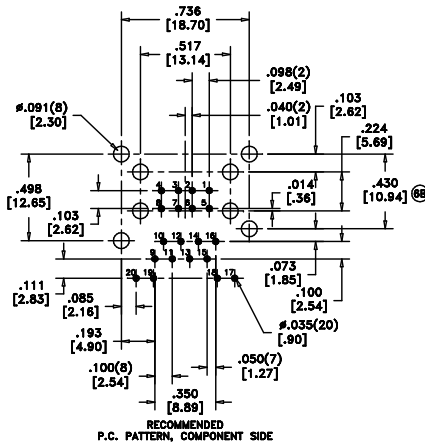
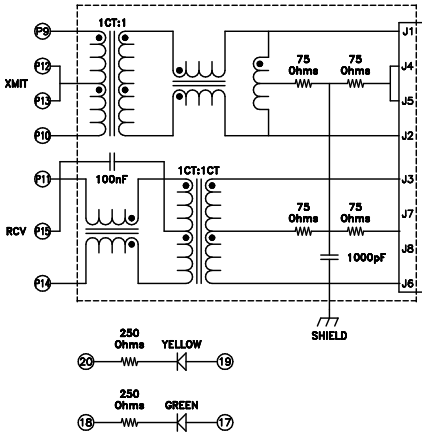
⑥ MATERIAL AND FINISH:

Housing: Thermoplastic PBT, Black per UL94 V-0
Shield: Brass with semi-bright nickel plating
Contact: Phosphor Bronze, base material
Contact Plating: 100% tin plating with nickel underplating, 30u" gold plating on contact area

LED (Yellow): Frwd Voltage typ.: 5V
Drive Current: 20mA max.
Wave Length: 589nm typ.

LED (Green): Frwd Voltage typ.: 5V
Drive Current: 20mA max.
Wave Length: 565nm typ.

RJ45 Jack cavity conforms to FCC rules and regulations Part 68.



REV.	DATE
6D	6/09
6C	1/09
6B	2/06
6A	8/05

Packaging Specifications
Method: Tray
PKG-0551
www.midcom-inc.com

Unless otherwise specified:
Tolerances: Fractions: ±1/64
Angles: ±1°
Decimals: ±.010[.25]
This drawing is dual dimensioned. Dimensions in brackets are in millimeters.

⑥ DRAWING TITLE
TRANSFORMER
eiSos p/n: 7497010211



DRAWING NO.
MIC25U13-5115W-LF3

REVISIONS: SEE SHEET 1

SCALE ---

SHEET 2 OF 6