



Distributor of BUD Industries, Inc.: Excellent Integrated System Limited

Datasheet of BT-2742 - BOX PLSTC TRN BLUE 11.83"X9.09"

Contact us: sales@integrated-circuit.com Website: www.integrated-circuit.com

Excellent Integrated System Limited

Stocking Distributor

Click to view price, real time Inventory, Delivery & Lifecycle Information:

[BUD Industries, Inc.](#)

[BT-2742](#)

For any questions, you can email us directly:

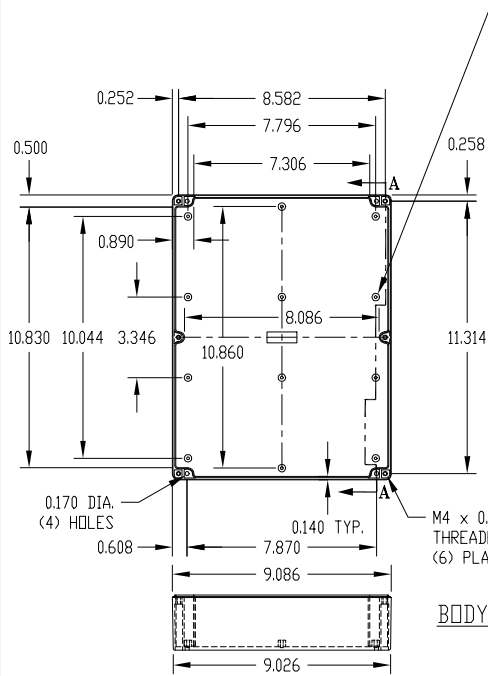
sales@integrated-circuit.com

PART NAME	TRANSPARENT BLUE NEMA ENCLOSURE	PART No.	BT-2742
-----------	---------------------------------	----------	---------

UL FILE #194432

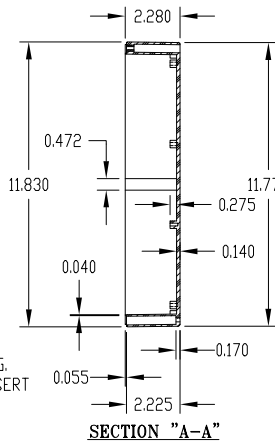
MATERIAL:

POLYCARBONATE, TRANSPARENT BLUE
 UL94V-2 FLAMMABILITY RATING
 UV STABILIZED
 SERVICE TEMPERATURE RANGE: -40°C TO +120°C

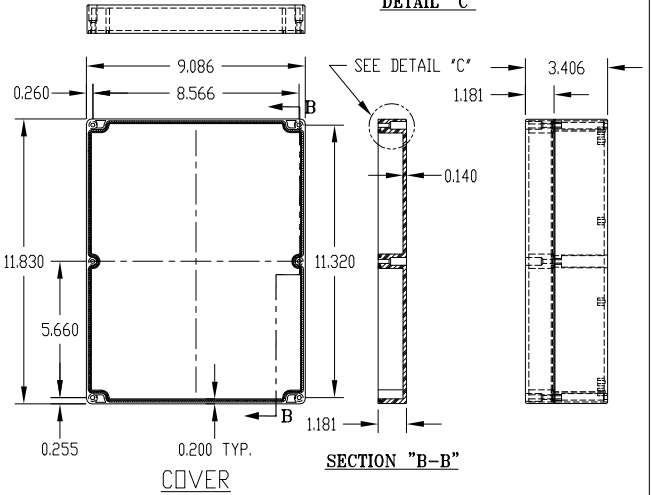


0.315 DIA. BOSS WITH
 0.120 DIA. HOLE x 0.320 DEEP
 (12) PLACES
 MOUNTING BOSSES USE EITHER
 M3 METRIC OR #6 STD. SHEET
 METAL SCREWS x 0.312 LG.
 (NOT SUPPLIED)

BODY

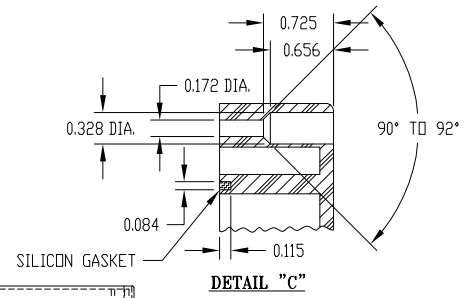


SECTION "A-A"



COVER

SECTION "B-B"



DETAIL "C"

HARDWARE KIT
KIT CONTAINS (6) M4 x 25mm (1.000") LG. SCREWS FOR ASSEMBLY

NOTE: ALL DIMENSIONS HAVE ±0.015 TOLERANCE UNLESS OTHERWISE SPECIFIED.