



Distributor of BUD Industries, Inc.: Excellent Integrated System Limited

Datasheet of HH-3580-B - BOX ABS BLACK 5.71"L X 3.54"W

Contact us: [sales@integrated-circuit.com](mailto:sales@integrated-circuit.com) Website: [www.integrated-circuit.com](http://www.integrated-circuit.com)

---

## Excellent Integrated System Limited

Stocking Distributor

Click to view price, real time Inventory, Delivery & Lifecycle Information:

[BUD Industries, Inc.](#)

[HH-3580-B](#)

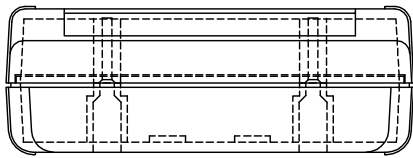
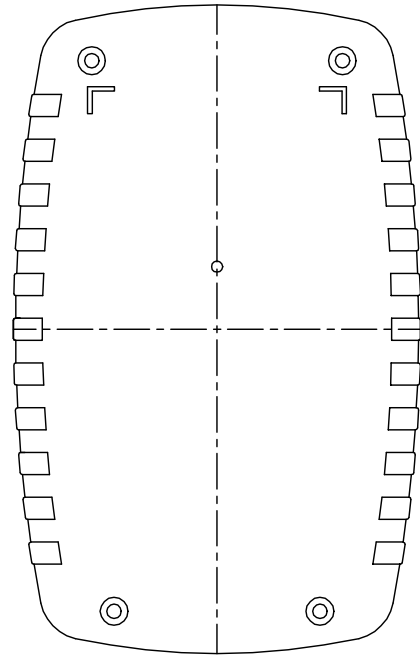
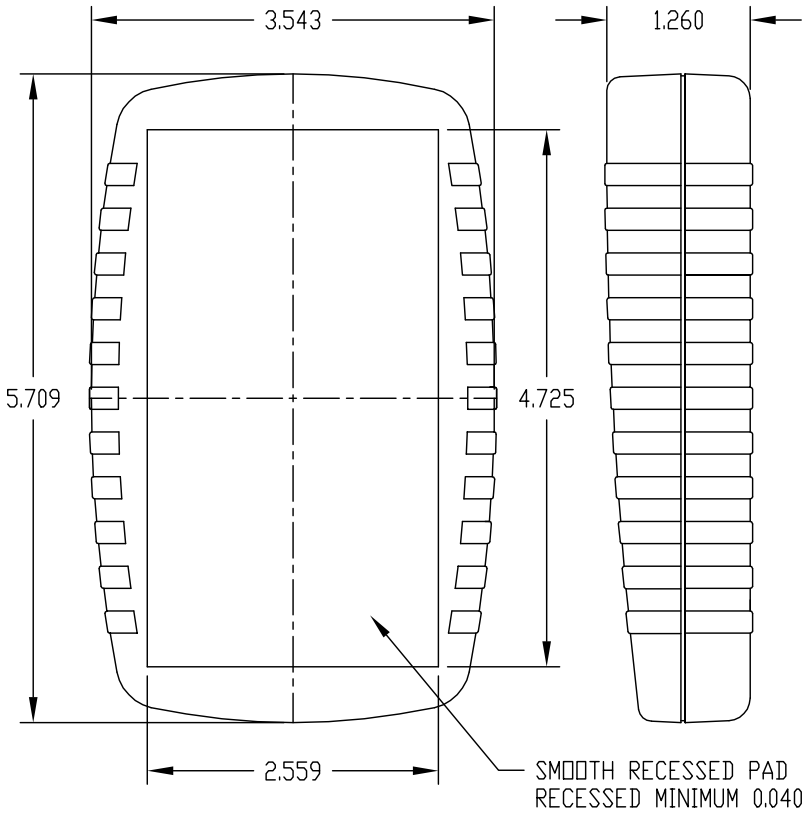
For any questions, you can email us directly:

[sales@integrated-circuit.com](mailto:sales@integrated-circuit.com)

PART NAME	HAND HAND BOX (STYLE L)	PART No.	HH-3580	REV. DATE
-----------	-------------------------	----------	---------	-----------

MATERIAL: HIGH IMPACT ABS WITH UL94V-0  
FLAMMABILITY RATING  
FINISH: TEXTURED BLACK

ALL DIMENSIONS HAVE  $\pm 0.015$  TOLERANCE  
FOUR (4) M3 x 1/2" LG. FLAT HD. STAINLESS  
STEEL SCREWS SUPPLIED FOR ASSEMBLY



NOTE: MOUNTING BOSSES USE EITHER M2.5 METRIC  
OR #4 STD. SHEET METAL SCREWS x 3/16" LG.  
(NOT SUPPLIED)

0.236 DIA. BOSS  
WITH 0.087 DIA. HOLE  
(6) PLACES

