

Excellent Integrated System Limited

Stocking Distributor

Click to view price, real time Inventory, Delivery & Lifecycle Information:

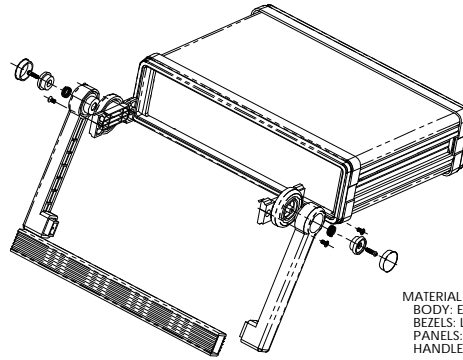
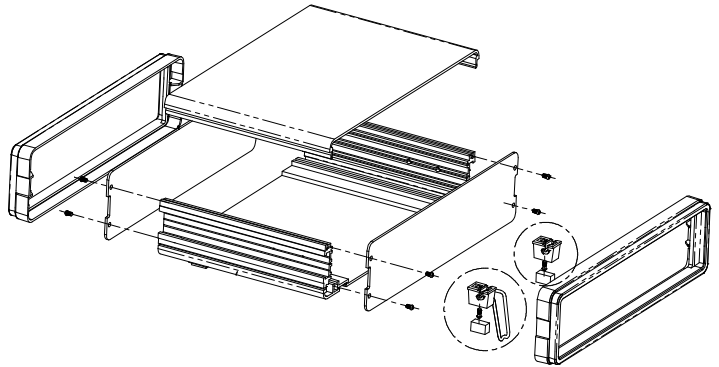
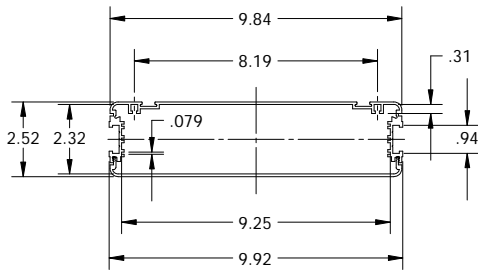
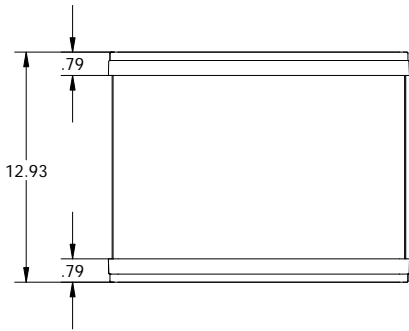
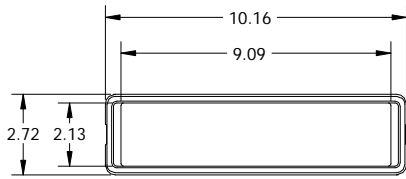
[BUD Industries, Inc.](#)

[IA-6161](#)

For any questions, you can email us directly:

sales@integrated-circuit.com

PART NAME	ALUMINUM INSTRUMENT CASE	PART No.	IA-6161	REVISION DATE	-
-----------	--------------------------	----------	---------	---------------	---



MATERIAL AND FINISH:
 BODY: EARTH TONE POWDER COATED ALUMINUM EXTRUSION
 BEZELS: LIGHT BROWN PLASTIC
 PANELS: NATURAL ALUMINUM
 HANDLE: LIGHT GRAY PLASTIC/ANODIZED ALUMINUM EXTRUSION
 DIMENSIONS ARE IN INCHES