

## Excellent Integrated System Limited

Stocking Distributor

Click to view price, real time Inventory, Delivery & Lifecycle Information:

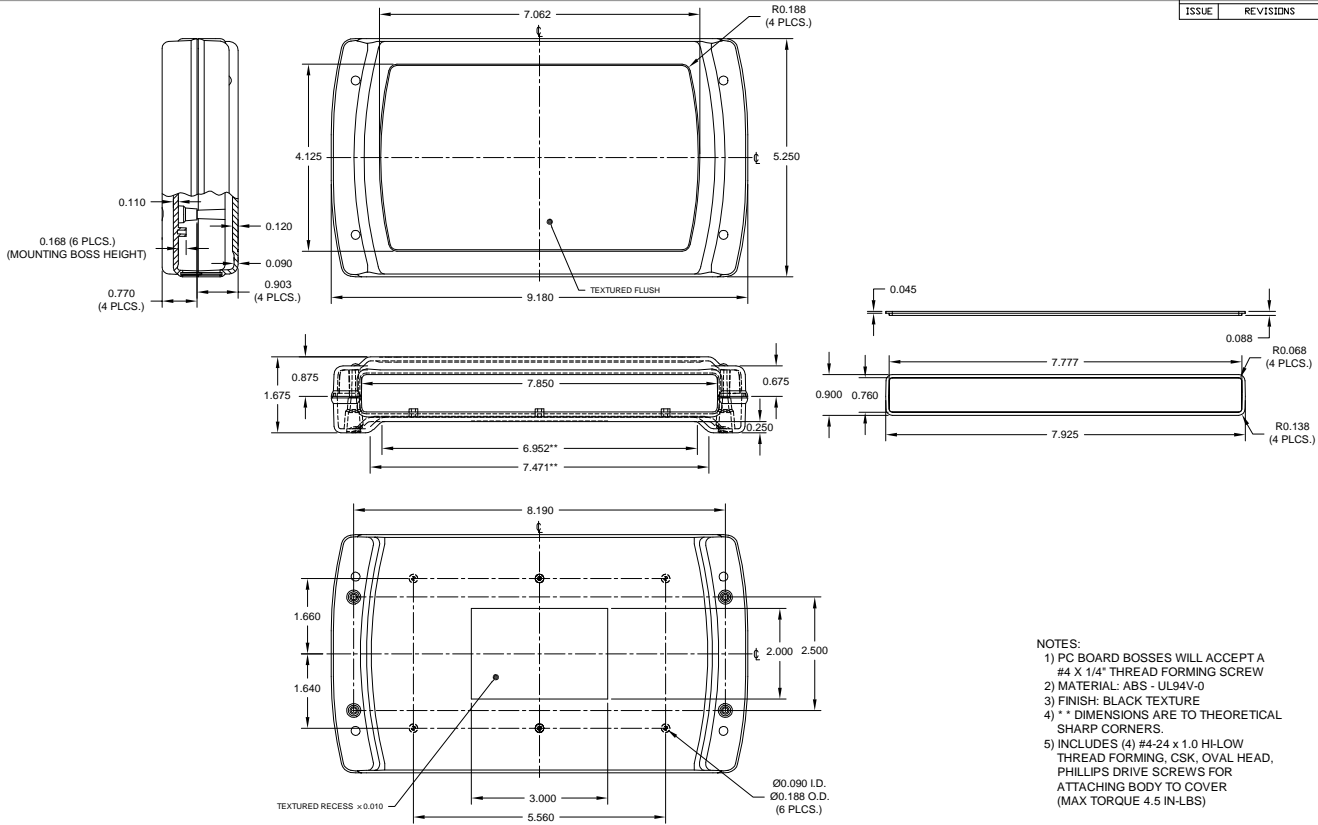
[BUD Industries, Inc.](#)

[PC-11640](#)

For any questions, you can email us directly:

[sales@integrated-circuit.com](mailto:sales@integrated-circuit.com)

DWG. NO.	PC-11640
ISSUE	REVISIONS



- NOTES:
- 1) PC BOARD BOSSES WILL ACCEPT A #4 X 1/4" THREAD FORMING SCREW
  - 2) MATERIAL: ABS - UL94V-0
  - 3) FINISH: BLACK TEXTURE
  - 4) \*\* DIMENSIONS ARE TO THEORETICAL SHARP CORNERS.
  - 5) INCLUDES (4) #4-24 x 1.0 HI-LOW THREAD FORMING, CSK, OVAL HEAD, PHILLIPS DRIVE SCREWS FOR ATTACHING BODY TO COVER (MAX TORQUE 4.5 IN-LBS)

ITEM	REQ'D	PART NO.	DESCRIPTION
<b>TOLERANCES:</b> #009 BETWEEN HOLE CENTERS #015 FROM SHEARD EDGE #025 FROM A BENT SURFACE #050 BETWEEN ASSEMBLED SURFACES UNLESS OTHERWISE SPECIFIED			
MATERIAL: AS NOTED		SCALE:	
FINISH: AS NOTED		NAME: <b>BUD</b>	
DR: BT		S-25-07	
CH:		BUD INDUSTRIES, INC.	
APP:		WILLOUGHBY, OHIO	
QTY:	USED ON	DWG. NO.	PC-11640