



Distributor of BUD Industries, Inc.: Excellent Integrated System Limited

Datasheet of SNB-3731 - BOX STEEL GRAY 11.81"L X 9.84"W

Contact us: sales@integrated-circuit.com Website: www.integrated-circuit.com

Excellent Integrated System Limited

Stocking Distributor

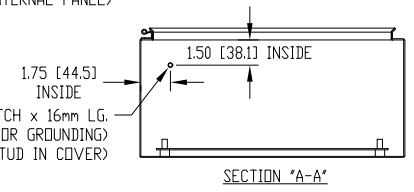
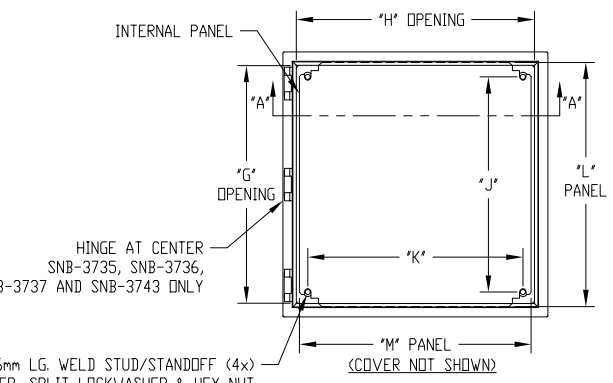
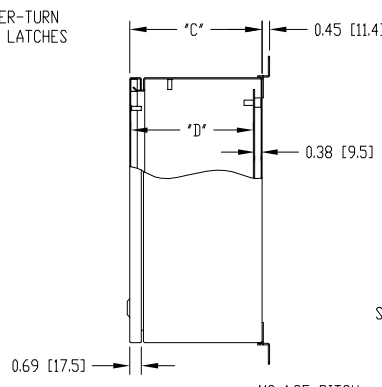
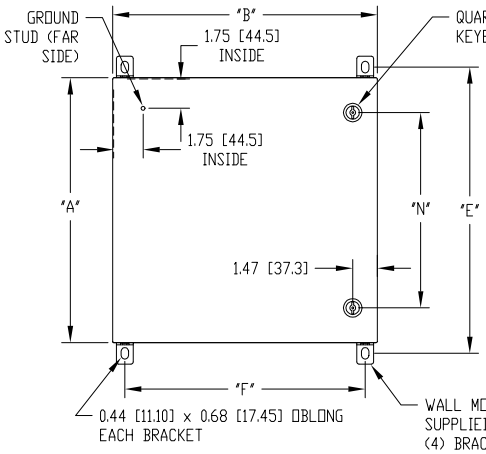
Click to view price, real time Inventory, Delivery & Lifecycle Information:

[BUD Industries, Inc.](#)
[SNB-3731](#)

For any questions, you can email us directly:

sales@integrated-circuit.com

PART NAME	SNB-SERIES NEMA SHEET METAL BOXES	PART No.	SNB-3731 THRU SNB-3737 AND SNB-3743	REV. DATE	10-24-11
-----------	-----------------------------------	----------	-------------------------------------	-----------	----------



MATERIAL:
 BODY & COVER - 16 GA. [1.5mm] C.R.S.
 INTERNAL PANEL - 14 GA. [2.0mm] C.R.S.
 WALL MOUNTING BRACKETS - 14 GA. [2.0mm] TYPE 430 STAINLESS STEEL
 STRIKERS - C.R.S.
 HINGE PINS & WALL MTG. HARDWARE - TYPE 201 STAINLESS STEEL
 LATCHES - ZINC DIE CAST
 GASKET - 0.38 [9.5] THK. ROGERS CORP. PORDN #4701-30-15375-04 (BLACK)
 SEALING WASHERS - BLACK NEOPRENE OR EQUIVALENT
 HOLE PLUGS - LIGHT GRAY NEOPRENE

FINISH:
 BODY & COVER - LIGHT GRAY SMOOTH POWDER COAT
 INTERNAL PANEL - ZINC PLATED
 WALL MOUNTING BRACKETS & HINGE PINS - NATURAL
 STRIKERS - ZINC PLATED
 LATCHES - CHROME PLATED

BOXES SUPPLIED WITH GROUNDING KIT THAT CONTAINS THE FOLLOWING: (1) GROUND WIRE, (4) FLAT WASHERS, (2) SPLIT LOCKWASHERS AND (2) HEX NUTS

PART NO.	"A"	"B"	"C"	"D"	"E"	"F"	"G"	"H"	"J"	"K"	"L"	"M"	"N"
SNB-3731	11.81 [300]	9.84 [250]	5.91 [150]	5.33 [135.4]	13.08 [332.3]	8.39 [213]	10.22 [259.6]	8.25 [209.6]	8.86 [225]	6.89 [175]	10.43 [265]	7.87 [200]	7.68 [195]
SNB-3732	11.81 [300]	9.84 [250]	7.87 [200]	7.29 [185.1]	13.08 [332.3]	8.39 [213]	10.22 [259.6]	8.25 [209.6]	8.86 [225]	6.89 [175]	10.43 [265]	7.87 [200]	7.68 [195]
SNB-3733	11.81 [300]	11.81 [300]	5.91 [150]	5.33 [135.4]	13.08 [332.3]	10.35 [263]	10.22 [259.6]	10.22 [259.6]	8.86 [225]	8.86 [225]	10.43 [265]	9.84 [250]	7.68 [195]
SNB-3734	11.81 [300]	11.81 [300]	7.87 [200]	7.29 [185.1]	13.08 [332.3]	10.35 [263]	10.22 [259.6]	10.22 [259.6]	8.86 [225]	8.86 [225]	10.43 [265]	9.84 [250]	7.68 [195]
SNB-3735	15.75 [400]	11.81 [300]	5.91 [150]	5.33 [135.4]	17.02 [432.3]	10.35 [263]	14.16 [359.6]	10.22 [259.6]	12.80 [325]	8.86 [225]	14.37 [365]	9.84 [250]	11.62 [295]
SNB-3736	15.75 [400]	11.81 [300]	7.87 [200]	7.29 [185.1]	17.02 [432.3]	10.35 [263]	14.16 [359.6]	10.22 [259.6]	12.80 [325]	8.86 [225]	14.37 [365]	9.84 [250]	11.62 [295]
SNB-3737	15.75 [400]	15.75 [400]	7.87 [200]	7.29 [185.1]	17.02 [432.3]	14.29 [363]	14.16 [359.6]	14.16 [359.6]	12.80 [325]	12.80 [325]	14.37 [365]	13.78 [350]	11.62 [295]
SNB-3743	15.75 [400]	13.98 [355]	7.87 [200]	7.29 [185.1]	17.02 [432.3]	12.52 [318]	14.16 [359.6]	12.38 [314.6]	12.80 [325]	11.02 [280]	14.37 [365]	12.01 [305]	11.62 [295]