

Excellent Integrated System Limited

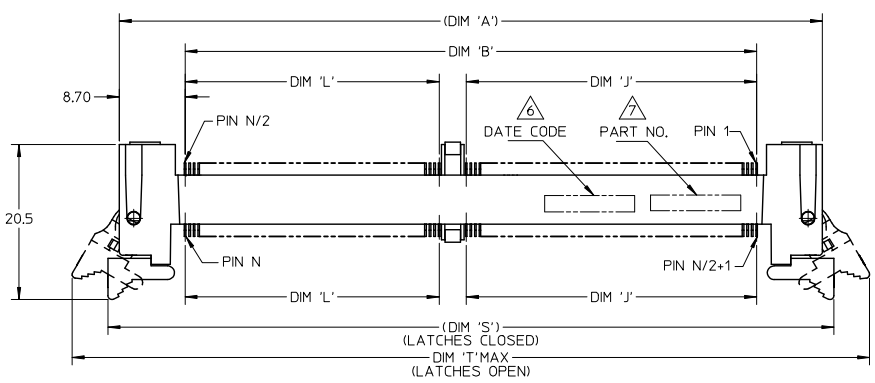
Stocking Distributor

Click to view price, real time Inventory, Delivery & Lifecycle Information:

[Molex Connector Corporation](#)
[0879180001](#)

For any questions, you can email us directly:
sales@integrated-circuit.com

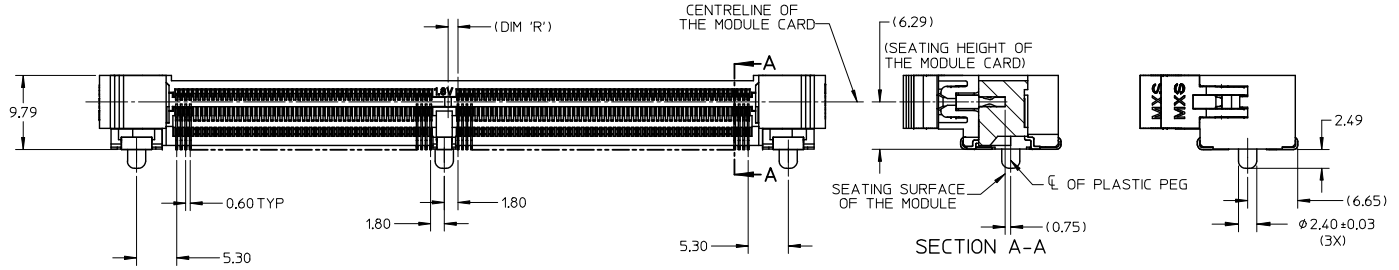
10 9 8 7 6 5 4 3 2 1



NOTES :

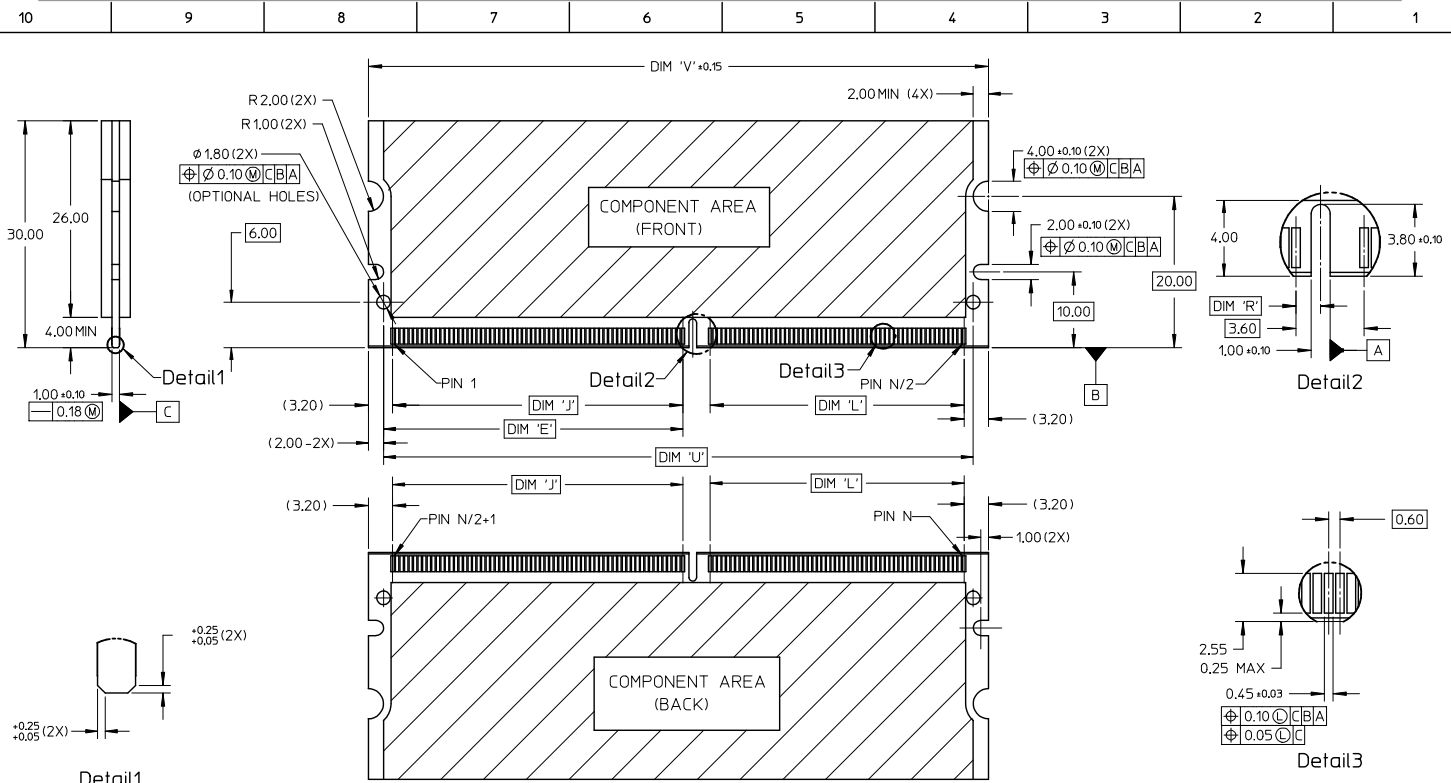
- 1) MATERIAL :
HOUSING : HIGH TEMPERATURE LIQUID CRYSTAL POLYMER, UL94V-0
COLOUR : BLACK
CONTACTS : COPPER ALLOY
LATCHES : HIGH TEMPERATURE NYLON, UL94V-0
COLOUR : NATURAL (OFF-WHITE)
- 2) FINISH :
CONTACT AREA : 0.76 MICROMETER (30 MICROINCH) MIN GOLD OVER
1.25 MICROMETER (50 MICROINCH) MIN NICKEL
SOLDER LEADS : 2.54 MICROMETER (100 MICROINCH) MIN TIN OVER
1.25 MICROMETER (50 MICROINCH) MIN NICKEL
- 3) ACCEPTS 1.0 mm THICK MEMORY MODULE PER JEDEC MO-244
FOR 244 CKTS AND MO-258 FOR 200 CKTS.
- 4) PRODUCT SPECIFICATION : PS-87918-001
- 5) PACKAGING SPECIFICATION: PRODUCT SHALL BE PACKED IN TRAY.
SEE TABLE ON SHEET 4.

⑥ DATE CODE SHALL BE MARKED LEGIBLY AS SHOWN :YYDD
⑦ PART NUMBER SHALL BE MARKED LEGIBLY AS SHOWN.
87918-XXXX(REFER TO TABLE)



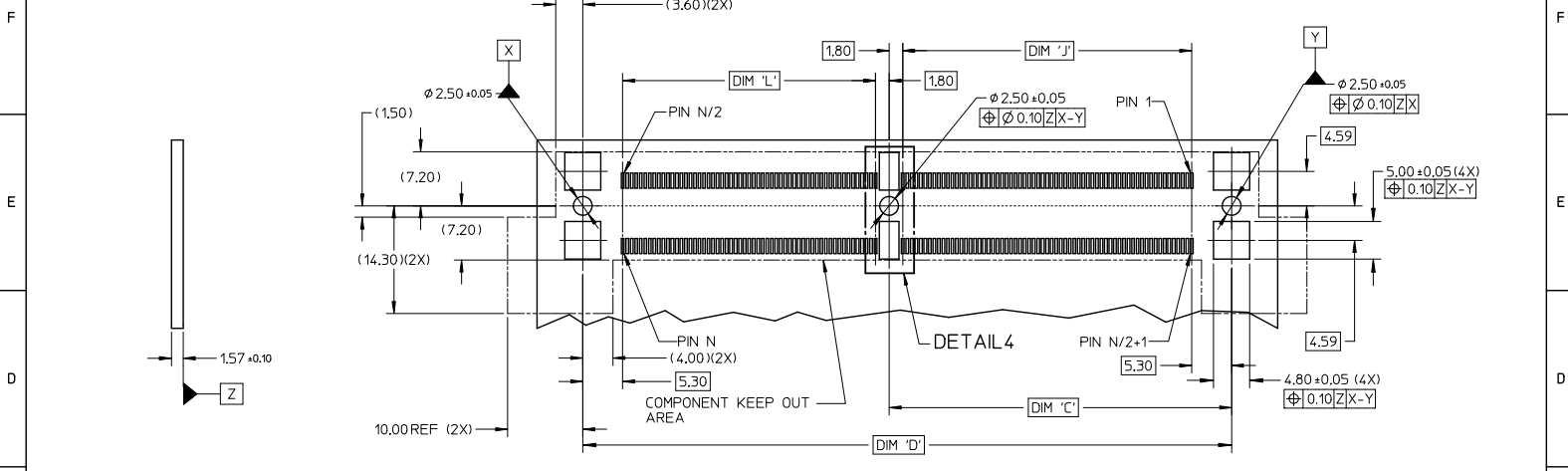
ADD PART NUMBER EC NO. S2014-0858 DRWN: JAMEEN 2013/12/26 CHKD: CCH 2014/03/19 APPR: SILENI 2014/03/20 REV B4	QUALITY SYMBOLS ∇=0 ∇=0 ∇=0	GENERAL TOLERANCES (UNLESS SPECIFIED) 4 PLACES ± --- ± --- 3 PLACES ± --- ± --- 2 PLACES ± 0.13 ± --- 1 PLACE ± 0.25 ± --- 0 PLACE ± ±	DIMENSION STYLE MM ONLY DRAWN BY DATE EDMUND 2004/08/17 CHECKED BY DATE SRRAMESH 2005/01/25 APPROVED BY DATE GGLEE 2005/01/25	SCALE NTS	DESIGN UNITS METRIC	THIRD ANGLE PROJECTION	
	ANGULAR ± 1 ° DRAFT WHERE APPLICABLE MUST REMAIN WITHIN DIMENSIONS		MATERIAL NO. SEE TABLE	TITLE MINI DIMM, 0.60MM PITCH 244/200 CKTS STANDARD R/A molex		SHEET NO. 1 OF 4	
			DOCUMENT NO. SD-87918-001	THIS DRAWING CONTAINS INFORMATION THAT IS PROPRIETARY TO MOLEX INCORPORATED AND SHOULD NOT BE USED WITHOUT WRITTEN PERMISSION			

9 8 7 6 5 4 3 2 1

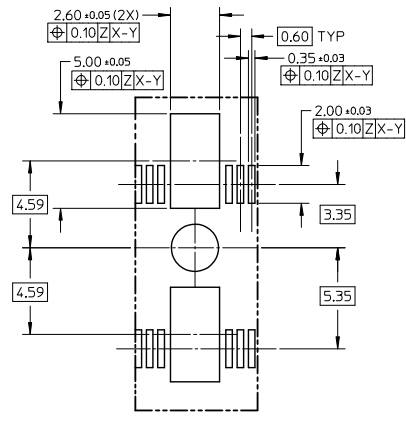


ADD PART NUMBER EC No: S2014-0858 DRAWN: JAKEWEN 2013/12/26 CHECKED: 2014/03/19 APPR: SILLEN 2014/03/20	QUALITY SYMBOLS $\sqrt{Ra} = 0$ $\sqrt{Ra} = 0$ $\sqrt{Ra} = 0$	GENERAL TOLERANCES (UNLESS SPECIFIED)		DIMENSION STYLE MM ONLY		SCALE NTS	DESIGN UNITS METRIC	THIRD ANGLE PROJECTION
		mm	INCH	DRAWN BY	DATE	TITLE		
		4 PLACES \pm ---	\pm ---	EDMUND	2004/08/17	MINI DIMM, 0.60MM PITCH		
		3 PLACES \pm ---	\pm ---	CHECKED BY	DATE	244/200 CKTS		
2 PLACES ± 0.13	\pm ---	SRRAMESH	2005/01/25	STANDARD R/A				
1 PLACE ± 0.25	\pm ---	APPROVED BY	DATE	molex				
0 PLACE \pm	\pm	GGLEE	2005/01/25	DOCUMENT NO.				
ANGULAR $\pm 1^\circ$		MATERIAL NO.		SEE TABLE	SD-87918-001	SHEET NO. 2 OF 4		
DRAFT WHERE APPLICABLE MUST REMAIN WITHIN DIMENSIONS		SIZE A3		THIS DRAWING CONTAINS INFORMATION THAT IS PROPRIETARY TO MOLEX INCORPORATED AND SHOULD NOT BE USED WITHOUT WRITTEN PERMISSION				

10 9 8 7 6 5 4 3 2 1



RECOMMENDED PCB LAYOUT



DETAIL 4

ADD PART NUMBER EC No: S2014-0858 DRAWN: JAKEWEN CHKD: CCIEN APPR: SHILENI 2013/12/26 2014/03/19 2014/03/20	QUALITY SYMBOLS √=0 √=0 √=0	GENERAL TOLERANCES (UNLESS SPECIFIED)		DIMENSION STYLE MM ONLY		SCALE NTS	DESIGN UNITS METRIC	THIRD ANGLE PROJECTION			
		4 PLACES ± --- ± ---	3 PLACES ± --- ± ---	2 PLACES ± 0.13 ± ---	1 PLACE ± 0.25 ± ---	0 PLACE ± ±	DRAWN BY EDMUND		DATE 2004/08/17	TITLE MINI DIMM, 0.60MM PITCH 244/200 CKTS STANDARD R/A	
		ANGULAR ± 1 °					CHECKED BY SRRAMESH		DATE 2005/01/25	APPROVED BY GGLEE	DATE 2005/01/25
		DRAFT WHERE APPLICABLE MUST REMAIN WITHIN DIMENSIONS					MATERIAL NO. SEE TABLE		DOCUMENT NO. SD-87918-001	SHEET NO. 3 OF 4	

9 8 7 6 5 4 3 2 1

10 9 8 7 6 5 4 3 2 1

PART NUMBER	CKT SIZE 'N'	MODULE CARD	VOLTAGE KEY	DIM 'R'	DIM 'E'	DIM 'J'	DIM 'L'	DIM 'A'	DIM 'S'	DIM 'T'	DIM 'U'	DIM 'V'	DIM 'C'	DIM 'D'	DIM 'B'	PACKAGING SPECIFICATION
87918-0001	244	DDR2	1.8 V	1.30	39.60	38.40	33.60	93.0	96.0	106.2	78.00	82.00	45.50	86.20	75.60	PK-87918-002
87918-0301		DDR3	1.5 V	2.30												
87918-0201	200	DDR2	1.8 V	1.30	24.60	23.40	35.40	79.8	82.8	93.0	64.80	68.80	30.50	73.00	62.40	PK-87918-001
87918-0202		DDR	2.5 V	2.30												
87918-0009	244	DDR2	1.8 V	1.30	39.60	38.40	33.60	93.0	96.0	106.2	78.00	82.00	45.50	86.20	75.60	PK-87918-005
87918-0302		DDR3	1.5 V	2.30												

ADD PART NUMBER EC NO: S2014-0858 DRWN: JAKEMEN CHKD: CTEH APPR: SHILEN 2013/12/26 2014/03/19 2014/03/20	QUALITY SYMBOLS	GENERAL TOLERANCES (UNLESS SPECIFIED)	DIMENSION STYLE	SCALE	DESIGN UNITS	THIRD ANGLE PROJECTION	
	$\nabla=0$ $\nabla=0$ $\nabla=0$	mm INCH 4 PLACES ± --- ± --- 3 PLACES ± --- ± --- 2 PLACES ± 0.13 ± --- 1 PLACE ± 0.25 ± --- 0 PLACE ± ±	MM ONLY	DRAWN BY DATE EDMUND 2004/08/17 CHECKED BY DATE SRRAMESH 2005/01/25 APPROVED BY DATE GGLEE 2005/01/25	NTS	METRIC	MINI DIMM, 0.60MM PITCH 244/200 CKTS STANDARD R/A molex
	ANGULAR ± 1 ° DRAFT WHERE APPLICABLE MUST REMAIN WITHIN DIMENSIONS	MATERIAL NO. SEE TABLE SIZE A 3	DOCUMENT NO. SD-87918-001 SHEET NO. 4 OF 4				
	THIS DRAWING CONTAINS INFORMATION THAT IS PROPRIETARY TO MOLEX INCORPORATED AND SHOULD NOT BE USED WITHOUT WRITTEN PERMISSION						

9 8 7 6 5 4 3 2 1