

Excellent Integrated System Limited

Stocking Distributor

Click to view price, real time Inventory, Delivery & Lifecycle Information:

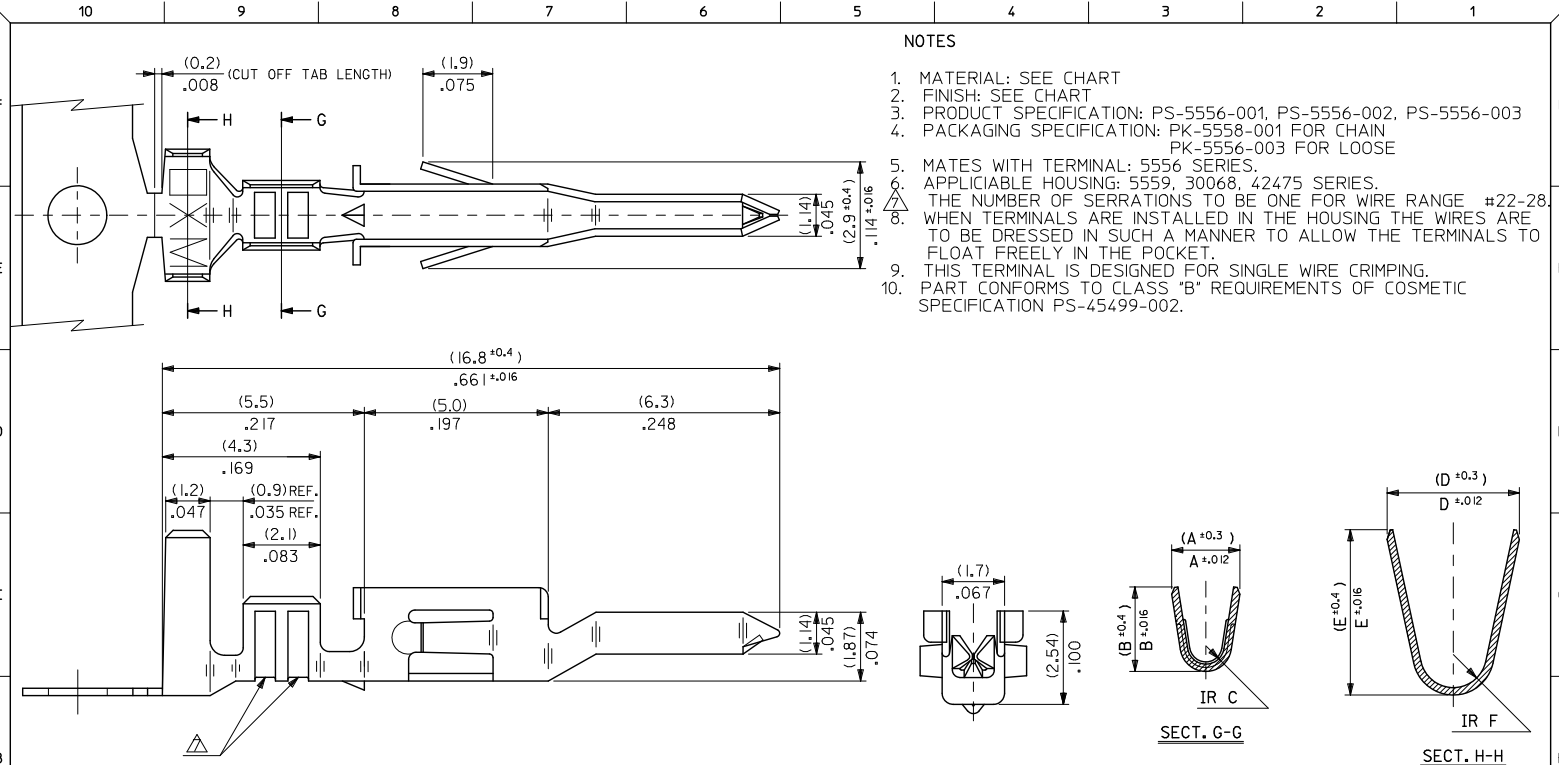
[Molex Connector Corporation](#)
[0039000081](#)

For any questions, you can email us directly:

sales@integrated-circuit.com

NOTES

1. MATERIAL: SEE CHART
2. FINISH: SEE CHART
3. PRODUCT SPECIFICATION: PS-5556-001, PS-5556-002, PS-5556-003
4. PACKAGING SPECIFICATION: PK-5558-001 FOR CHAIN
PK-5556-003 FOR LOOSE
5. MATES WITH TERMINAL: 5556 SERIES.
6. APPLICABLE HOUSING: 5559, 30068, 42475 SERIES.
7. THE NUMBER OF SERRATIONS TO BE ONE FOR WIRE RANGE #22-28.
8. WHEN TERMINALS ARE INSTALLED IN THE HOUSING THE WIRES ARE TO BE DRESSED IN SUCH A MANNER TO ALLOW THE TERMINALS TO FLOAT FREELY IN THE POCKET.
9. THIS TERMINAL IS DESIGNED FOR SINGLE WIRE CRIMPING.
10. PART CONFORMS TO CLASS "B" REQUIREMENTS OF COSMETIC SPECIFICATION PS-45499-002.



UPDATED NOTES EC NO: LCP2010-2478 DRAWN: JAGUILAR 2010/04/06 CHKD: BELL 2010/04/09 APPR: SMITH 2010/04/09	QUALITY SYMBOLS = 0 = 0 = 0	GENERAL TOLERANCES (UNLESS SPECIFIED)		DIMENSION STYLE MM/IN	SCALE 10:1	DESIGN UNITS METRIC	THIRD ANGLE PROJECTION		
		4 PLACES ± .008 ± .008 3 PLACES ± .008 ± .008 2 PLACES ± .020 ± .008 1 PLACE ± .2 ± .008	DRAWN BY: H.HIRAMOTO DATE: 1991/03/12 CHECKED BY: S.KUNISHI DATE: 1998/07/07 APPROVED BY: M.MURAKUSHIMA DATE: 1998/07/07	TITLE MINI-FIT JR OVERALL TIN MALE CRIMP TERMINAL		MOLEX INCORPORATED	MATERIAL NO. SEE CHART	DOCUMENT NO. SD-5558****	SHEET NO. 1 OF 2
		DRAFT WHERE APPLICABLE MUST REMAIN WITHIN DIMENSIONS		SIZE B		THIS DRAWING CONTAINS INFORMATION THAT IS PROPRIETARY TO MOLEX INCORPORATED AND SHOULD NOT BE USED WITHOUT WRITTEN PERMISSION			
		REV							

10 9 8 7 6 5 4 3 2 1

TIN PLATED PHOSPHOR BRONZE	(0.9) .035	(4.5) .177	(3.6) .142	(0.6) .024	(2.7) .106	(2.3) .091	∅ (3.1) .122 MAX.	#16	39-00-0084	5558 PBT3L	LOOSE
	(0.6) .024	(2.3) .091	(2.3) .091	(0.4) .016	(1.65) .065	(1.8) .071	∅ (0.9-1.8) .035-.071	#22-28	↑ -0083	↑ PBT3	CHAIN
	(0.9) .035	(4.5) .177	(3.6) .142	(0.5) .020	(2.3) .091	(1.9) .075	∅ (1.3-3.1) .051-.122	#18-24	-0068	PBT2L	LOOSE
TIN OVER COPPER PLATED BRASS	(0.9) .035	(4.5) .177	(3.6) .142	(0.6) .024	(2.7) .106	(2.3) .091	∅ (3.1) .122 MAX.	#16	-0067	PBT2	CHAIN
	(0.6) .024	(2.3) .091	(2.3) .091	(0.4) .016	(1.65) .065	(1.8) .071	∅ (0.9-1.8) .035-.071	#22-28	-0062	PBTL	LOOSE
	(0.9) .035	(4.5) .177	(3.6) .142	(0.5) .020	(2.3) .091	(1.9) .075	∅ (1.3-3.1) .051-.122	#18-24	-0061	PBT	CHAIN
MATERIAL	F	E	D	C	B	A	INS. RANGE	WIRE RANGE	EDP NO.	ENG. NO.	FORM

UPDATE TITLE BLOCK EC NO: UCP2010-2478 DRAWN: JAGUILAR 2010/04/06 CHECK: BELL 2010/04/09 APPROVE: SMITH 2010/04/09 REV:	QUALITY SYMBOLS	GENERAL TOLERANCES (UNLESS SPECIFIED)	DIMENSION STYLE	SCALE	DESIGN UNITS	THIRD ANGLE PROJECTION
	▽=0	mm INCH	MM/IN	10:1	METRIC	☉
	▽=0	4 PLACES ± --- ± ---	DRAWN BY DATE	TITLE		
	▽=0	3 PLACES ± --- ± .008	H.HIRAMOTO 1991/03/12	MINI-FIT JR OVERALL TIN MALE CRIMP TERMINAL		
	2 PLACES ± .20 ± .008	CHECKED BY DATE	MATERIAL NO.			
	1 PLACE ± .2 ± ---	S.KUNISHI 1998/07/07	SD-5558****			
	ANGULAR ± 3°	APPROVED BY DATE	SHEET NO.			
		F.M.HUKUSHIMA 2010/04/09	2 OF 2			
			MOLEX INCORPORATED			
			THIS DRAWING CONTAINS INFORMATION THAT IS PROPRIETARY TO MOLEX INCORPORATED AND SHOULD NOT BE USED WITHOUT WRITTEN PERMISSION			

9 8 7 6 5 4 3 2 1